



MAGNETIC CATCH




argenta

- MAGNOTICA PRO E
- MAGNOTICA PRO SE
- ADJUSTABLE STRIKE PLATE PRO E
- ADJUSTABLE STRIKE PLATE PRO SE

ARLU[®]
OPENING DOORS

Ter Vlucht 2
8850 Ardoorie
Belgium

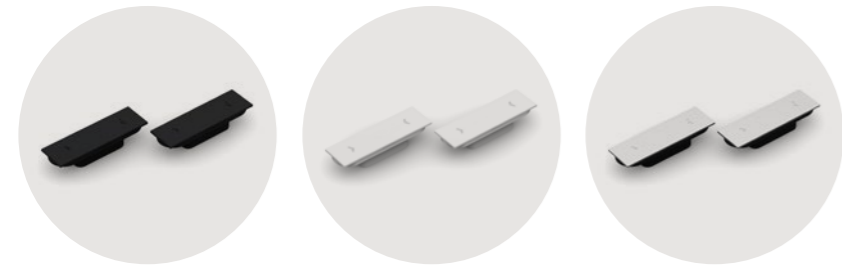
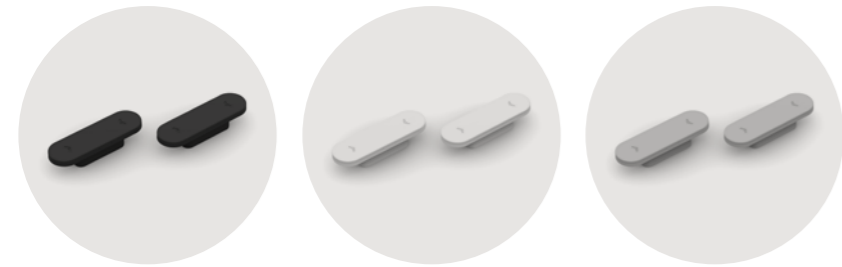
+32 (0)51 27 05 00
info@arlu.be
WWW.ARLU.BE



©L2001443 03/23 EN

MAGNOTICA PRO E & SE

The magnetic snapper can be used both vertically (pull-side of the door leaf) and horizontally (top of the door leaf) and can be used in any type of door frame. For door heights of more than 2315 mm, we recommend installing at least 2 sets of magnotica pro E or SE.



Magnotica pro E

The argenta magnotica pro E is a magnetic and contactless door catch that keeps interior doors in a closed position without the need for a door handle or lock. Because there are no moving parts, a door can be closed and opened completely silently. The rounded cover plates are made of zamac. Magnotica pro E is available in black, matt chrome and white.

Magnotica pro SE

The magnotica pro SE is the perfect addition to steel and aluminum profile doors. This variant is characterised by a rectangular cover plate made of zamac, also available in black, matt chrome and white finishes.

Finish	Reference	Finish	Reference	Clearance	Magnetic force
magnotica pro E matte chrome	70001094	magnotica pro SE matte chrome	70001097	2 mm	Minimum 40 N
magnotica pro E black	70001093	magnotica pro SE black	70001096	3 mm	Minimum 35 N
magnotica pro E white	70001092	magnotica pro SE white	70001095	4 mm	Minimum 30 N

ADJUSTABLE STRIKE PLATE PRO E & SE

Adjustable strike plate pro E

With an adjustment range of 6 mm, the new adjustable striking plate pro E is the perfect solution to compensate for gaps. In addition, a zamac cover cap covers the screws. The adjustable striking plate pro E is available in black, matt chrome and white and can be combined with magnetic (latch) locks with one, magnetic, latch only with maximum dimensions of 37mm high and 10mm wide (such as AGB Polaris magnetic locks and the KFV 116 magnetic latch lock).



Adjustable strike plate pro SE

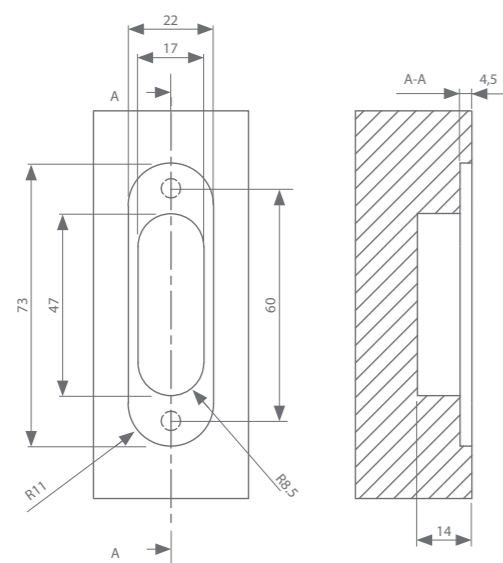
The adjustable striking plate pro SE is the ideal addition for steel and aluminum door frames. This variant includes a rectangular cover plate made of zamac, also in in black, matt chrome and white finishes.



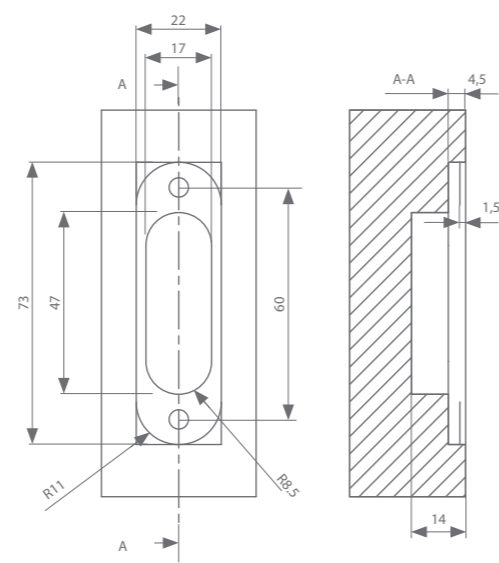
Finish	Reference	Finish	Reference
adjustable strike plate pro E matte chrome	22099959	adjustable strike plate pro SE matte chrome	22099962
adjustable strike plate pro E black	22099958	adjustable strike plate pro SE black	22099961
adjustable strike plate pro E white	22099957	adjustable strike plate pro SE white	22099960

Technical drawings

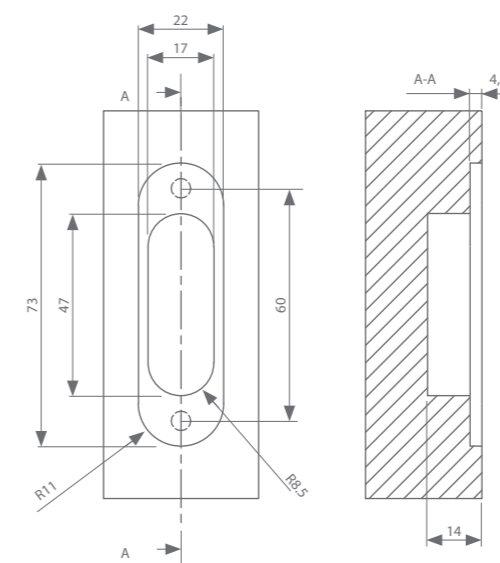
magnotica pro E



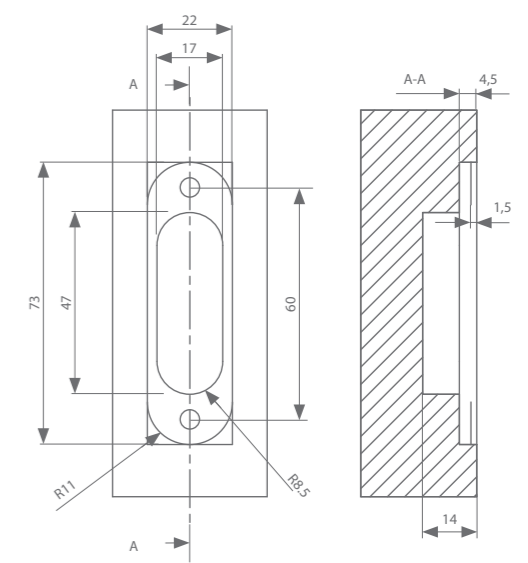
magnotica pro SE



adjustable strike plate pro E



adjustable strike plate pro SE



Technical drawings