



HINGES





ALL TECHNICAL DRAWINGS ARE SHOWN IN MILLIMETRES AND ARE SUBJECT TO CHANGE BY ARLU.

ARLU, THE REFERENCE FOR OPENING DOORS

ARLU® is the manufacturer behind the brand names argenta® and rob®. Argenta has been a leading brand in door hardware for over 100 years, but today it is mainly synonymous with invisible door systems.

Minimalist architecture swears by clean lines and a "back to the essence" mentality. In terms of interior doors, this results in integrated door fittings, invisible integrated techniques, door frames and skirting boards for revolving, sliding and pivoting doors.

Argenta stands for a full range of sleek interior solutions.

01

ALUMINIUM SPLIT HINGES

- 4 hinge 80/80
- 10 hinge 89/89
- 13 hinge 100/85
- 18 hinge 100/100
- 20 cranked hinge
- 21 universal hinges
- 23 self-closing hinges
argenta® close

02

STAINLESS STEEL SPLIT HINGES

- 26 hinge 80/80
- 30 hinge 89/89
- 32 cranked hinge 100/64A
- 33 hinge 100/86
- 37 hinge 100/78
- 38 hinge 120/86A
- 39 sarana® hinge

03

STEEL SPLIT HINGES

- 46 five-knuckle hinge

04

SPRING HINGES

05

ACCESSORIES

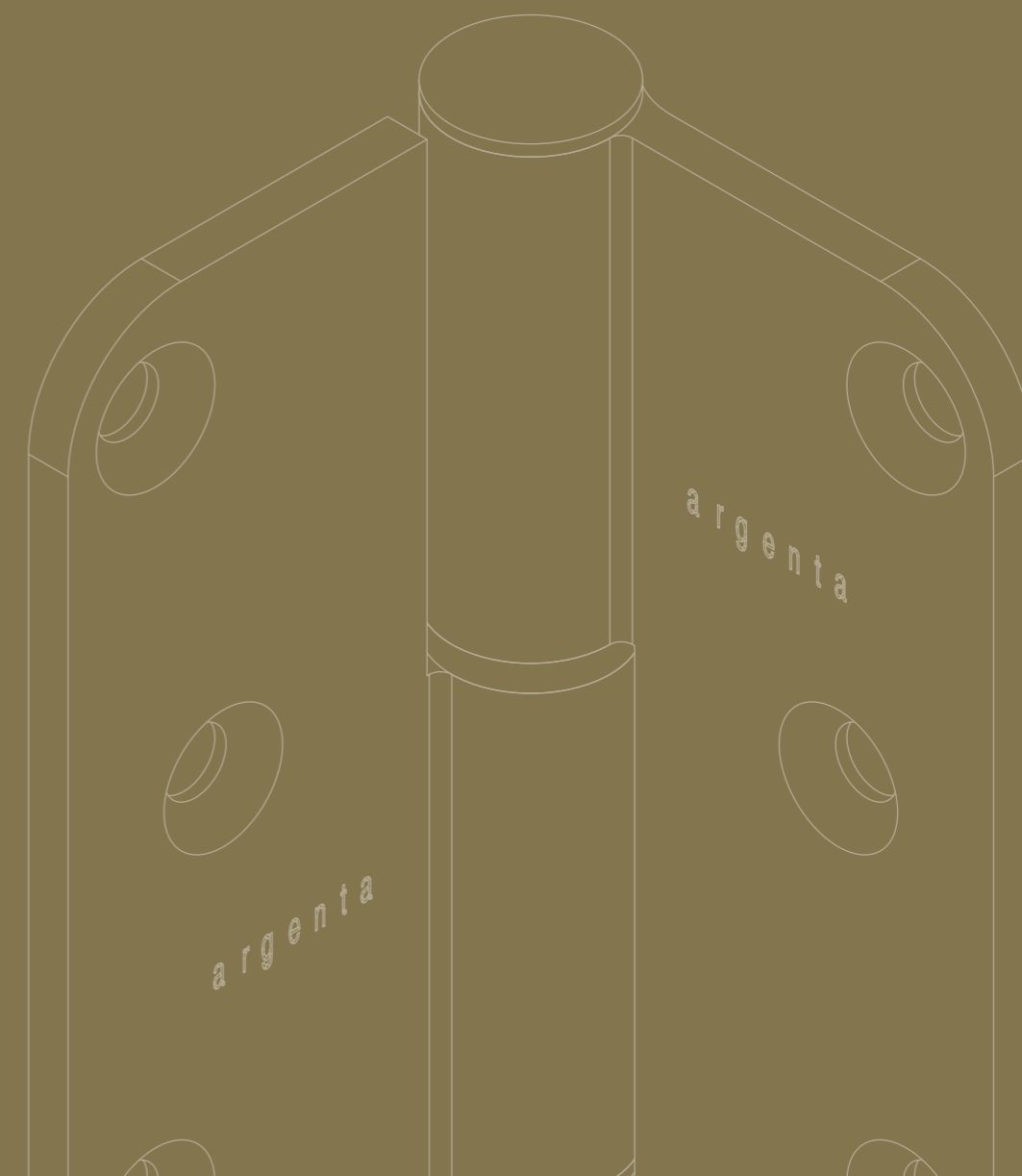
06

OVERVIEW

01

ALUMINIUM SPLIT HINGES

Thanks to their superior technical properties, argenta®'s aluminium split hinges have been the ultimate point of reference in their field for years. With their wear-resistant UPVC bush, dimensional stability and high load-bearing capacity, these split hinges can be used in both residential settings and development projects. The split hinges are available in different colours, with or without pyramid or vase finials. On top of that, the self-closing argenta close split hinges give you the option of an automatically closing door without the need to add an extra door closer.



hinges 80/80

hinge 80/80A closed

Version

left or right model

With electrolytically zinc-plated pin from drawn steel, fitted with a nylon collet in the same colour as the hinge. Also available with stainless steel pin. Fire certificate Rf 30 available (in accordance with NBN 713.020:1968, EN 1634-1:2000)

Available accessories:

- universal argenta® milling template
- appropriate screws

Material

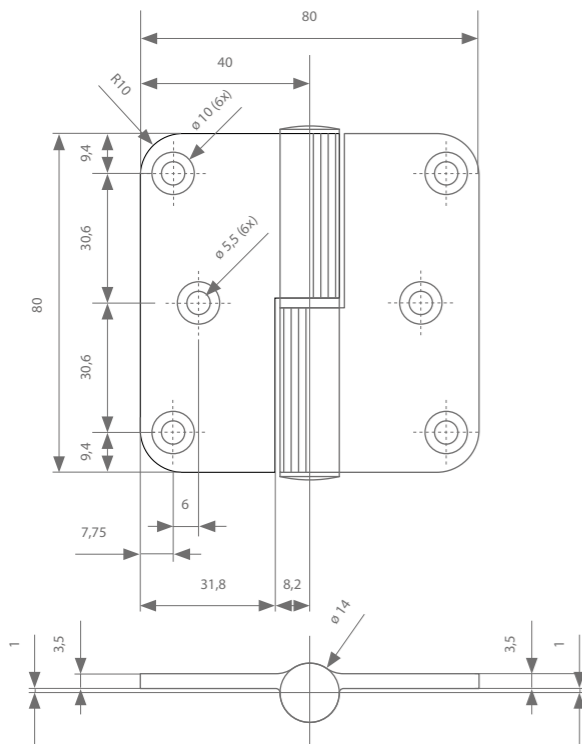
Aluminium

Finish

- F1, F2, RAL std, CU, BR, NI, CF, CHR, CU mat, INL
- Other RAL- colours are available from 500 pieces per direction of rotation. Please contact our sales department for more information.



Technical drawing



Technical properties

| | |
|----------------|---------------------|
| Size | 80 mm / 80 mm |
| Knuckle | $\varnothing 14$ mm |
| Leaf width | 31,8 mm 'closed' |
| Leaf thickness | 3,5 mm |
| Pin | 8 mm |

hinges 80/80

hinge 80/80A closed with vase finial

Version

left or right model

With electrolytically zinc-plated pin from drawn steel, fitted with a nylon collet in the same colour as the hinge. Also available with stainless steel pin. Fire certificate Rf 30 available (in accordance with NBN 713.020:1968, EN 1634-1:2000)

Available accessories:

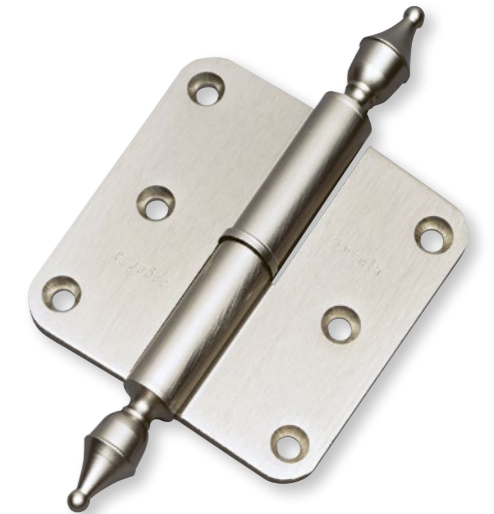
- universal argenta® milling template
- appropriate screws

Material

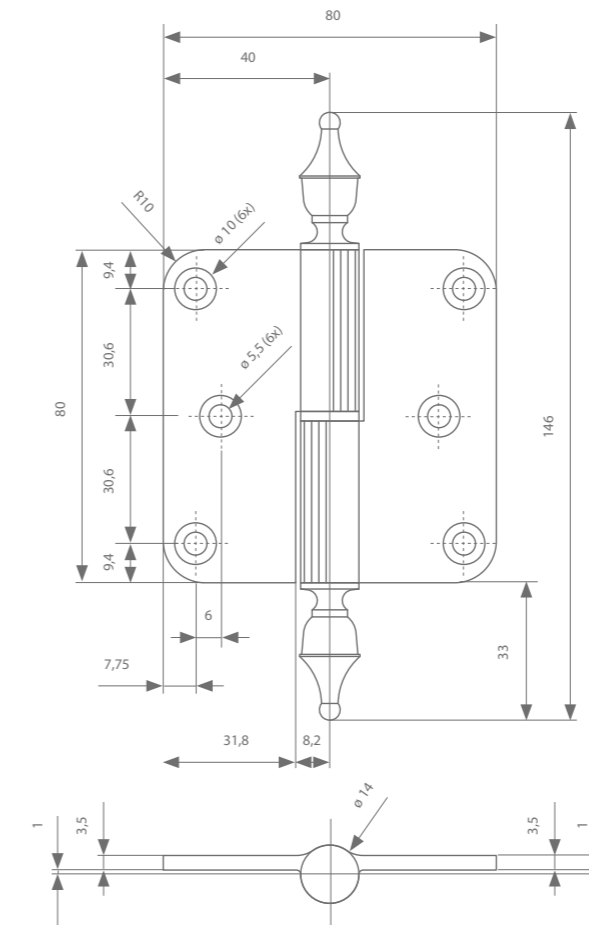
Aluminium

Finish

- RAL std, CU1, BR1, CU1 mat, INL1
- Other RAL- colours are available from 500 pieces per direction of rotation. Please contact our sales department for more information.



Technical drawing



Technical properties

| | |
|----------------|---------------------|
| Size | 80 mm / 80 mm |
| Knuckle | $\varnothing 14$ mm |
| Leaf width | 31,8 mm 'closed' |
| Leaf thickness | 3,5 mm |
| Pin | 8 mm |

hinges 80/80

hinge 80/80A closed with pyramid finial

Version

left or right model

With electrolytically zinc-plated pin from drawn steel, fitted with a nylon collet in the same colour as the hinge. Also available with stainless steel pin. Fire certificate Rf 30 available (in accordance with NBN 713.020:1968, EN 1634-1:2000)

Available accessories:

- universal argenta® milling template
- appropriate screws

Material

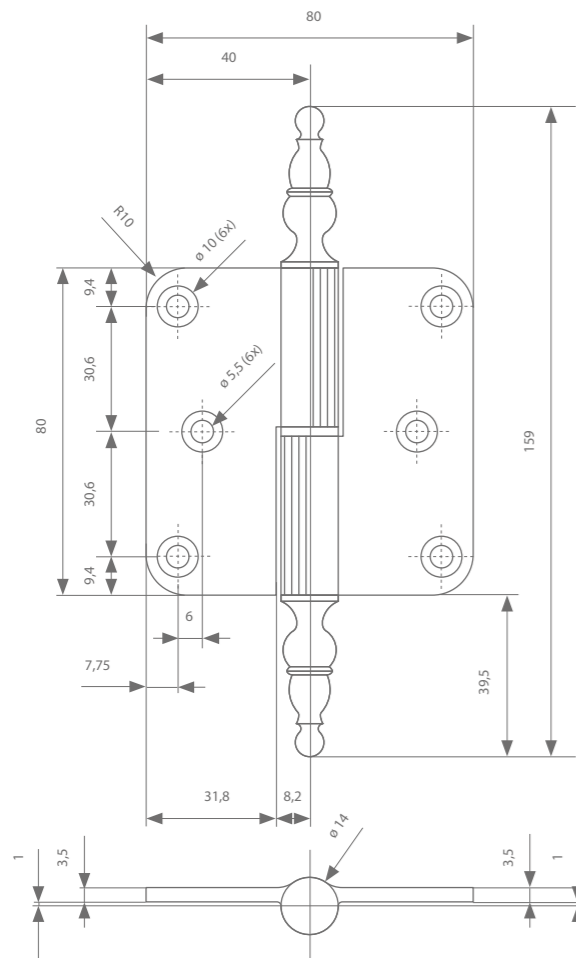
Aluminium

Finish

- RAL std, CU2, BR2, CU2 mat, INL2
- Other RAL- colours are available from 500 pieces per direction of rotation. Please contact our sales department for more information.



Technical drawing



Technical properties

| | |
|----------------|------------------|
| Size | 80 mm / 80 mm |
| Knuckle | $\phi 14$ mm |
| Leaf width | 31,8 mm 'closed' |
| Leaf thickness | 3,5 mm |
| Pin | 8 mm |

hinges 80/80

hinge 80/80A open

Version

left or right model

With electrolytically zinc-plated pin from drawn steel, fitted with a nylon collet in the same colour as the hinge. Also available with stainless steel pin. Fire certificate Rf 30 available (in accordance with NBN 713.020:1968, EN 1634-1:2000)

Available accessories:

- universal argenta® milling template
- appropriate screws

Material

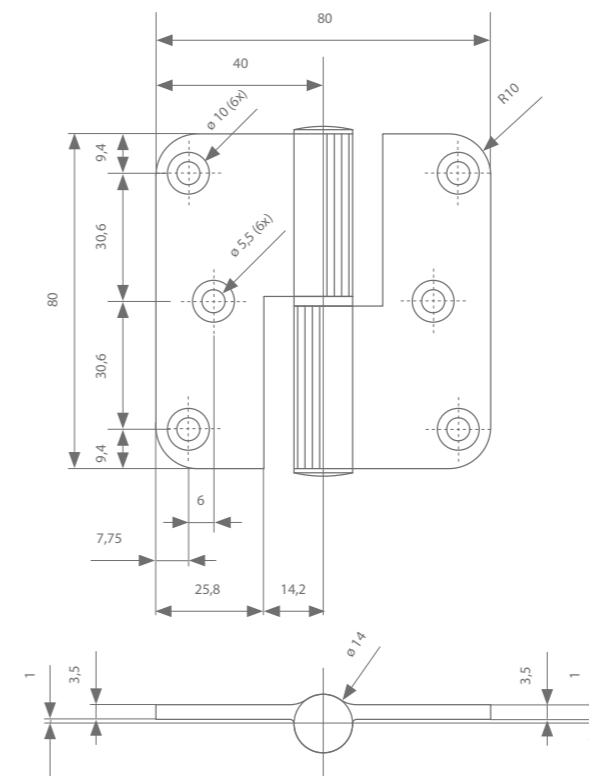
Aluminium

Finish

- F1, RAL 9010, RAL 8022
- Other RAL- colours are available from 500 pieces per direction of rotation. Please contact our sales department for more information.



Technical drawing



Technical properties

| | |
|----------------|----------------|
| Size | 80 mm / 80 mm |
| Knuckle | $\phi 14$ mm |
| Leaf width | 25,8 mm 'open' |
| Leaf thickness | 3,5 mm |
| Pin | 8 mm |

hinges 80/80
hinge 80/80 open

Version

left or right model

With electrolytically zinc-plated pin from drawn steel, fitted with a nylon collet in the same colour as the hinge. Also available with stainless steel pin. Fire certificate Rf 30 available (in accordance with NBN 713.020:1968, EN 1634-1:2000)

Available accessories:

- universal argenta® milling template
- appropriate screws

Material

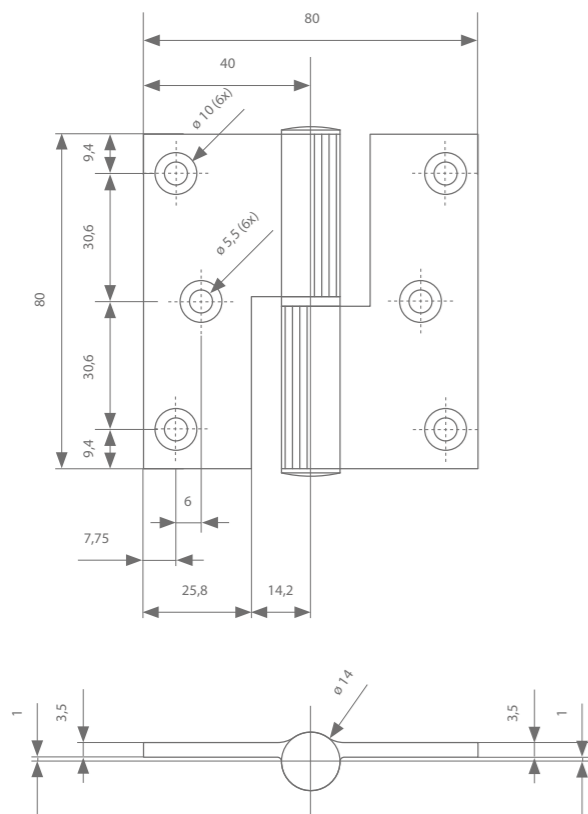
Aluminium

Finish

- F1
- Other RAL- colours are available from 500 pieces per direction of rotation. Please contact our sales department for more information.



Technical drawing



Technical properties

| | |
|----------------|---------------------|
| Size | 80 mm / 80 mm |
| Knuckle | $\varnothing 14$ mm |
| Leaf width | 25,8 mm 'open' |
| Leaf thickness | 3,5 mm |
| Pin | 8 mm |

hinges 80/80
hinge 80/80 closed

Version

left or right model

With electrolytically zinc-plated pin from drawn steel, fitted with a nylon collet in the same colour as the hinge. Also available with stainless steel pin. Fire certificate Rf 30 available (in accordance with NBN 713.020:1968, EN 1634-1:2000)

Available accessories:

- universal argenta® milling template
- appropriate screws

Material

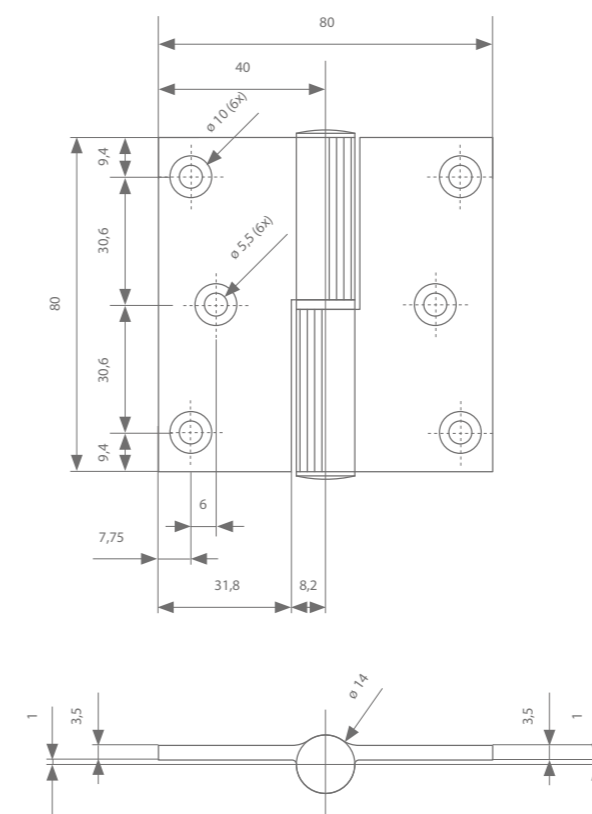
Aluminium

Finish

- F1, RAL std
- Other RAL- colours are available from 500 pieces per direction of rotation. Please contact our sales department for more information.



Technical drawing



Technical properties

| | |
|----------------|---------------------|
| Size | 80 mm / 80 mm |
| Knuckle | $\varnothing 14$ mm |
| Leaf width | 31,8 mm 'closed' |
| Leaf thickness | 3,5 mm |
| Pin | 8 mm |

hinges 89/89

hinge 89/89A closed

Version

left or right model

With electrolytically zinc-plated pin from drawn steel, fitted with a nylon collet in the same colour as the hinge. Also available with stainless steel pin.

Available accessories:

- universal argenta® milling template
- appropriate screws

Material

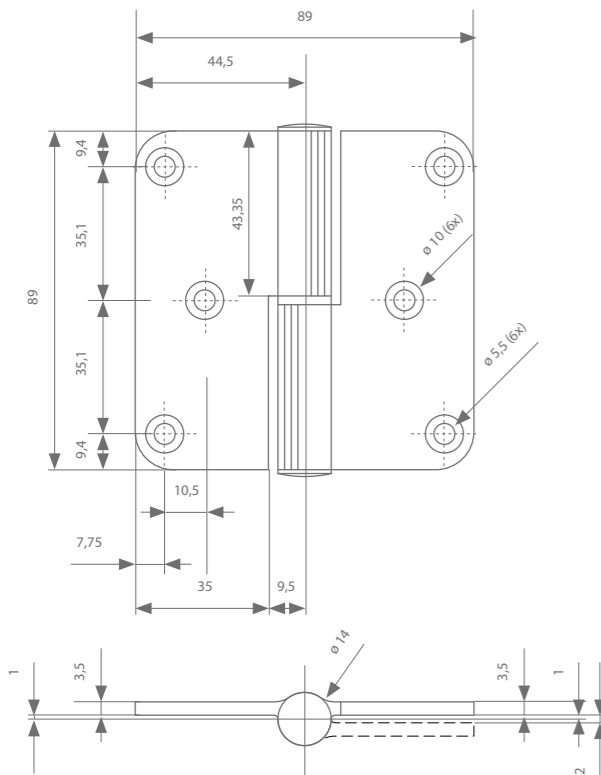
Aluminium

Finish

- F1, RAL 9010, CU, CHR, CU mat, INL
- Other RAL- colours are available from 500 pieces per direction of rotation. Please contact our sales department for more information.



Technical drawing



Technical properties

| | |
|----------------|----------------|
| Size | 89 mm / 89 mm |
| Knuckle | Ø 14 mm |
| Leaf width | 35 mm 'closed' |
| Leaf thickness | 3,5 mm |
| Pin | 8 mm |

hinges 89/89

hinge 89/89A closed with vase finial

Version

left or right model

With electrolytically zinc-plated pin from drawn steel, fitted with a nylon collet in the same colour as the hinge. Also available with stainless steel pin.

Available accessories:

- universal argenta® milling template
- appropriate screws

Material

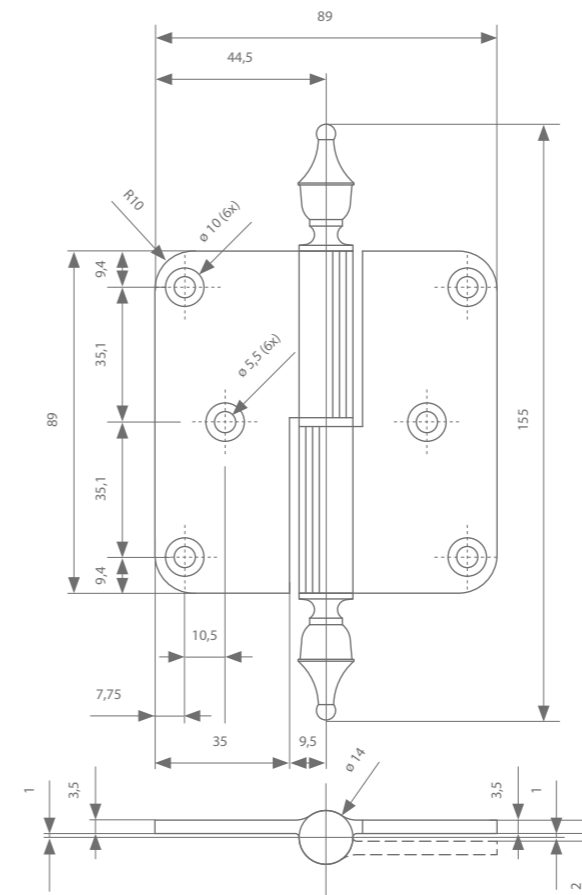
Aluminium

Finish

- CU1
- Other RAL- colours are available from 500 pieces per direction of rotation. Please contact our sales department for more information.



Technical drawing



Technical properties

| | |
|----------------|----------------|
| Size | 89 mm / 89 mm |
| Knuckle | Ø 14 mm |
| Leaf width | 35 mm 'closed' |
| Leaf thickness | 3,5 mm |
| Pin | 8 mm |

hinges 89/89

hinge 89/89A closed with pyramid finial

Version

left or right model

With electrolytically zinc-plated pin from drawn steel, fitted with a nylon collet in the same colour as the hinge. Also available with stainless steel pin.

Available accessories:

- universal argenta® milling template
- appropriate screws

Material

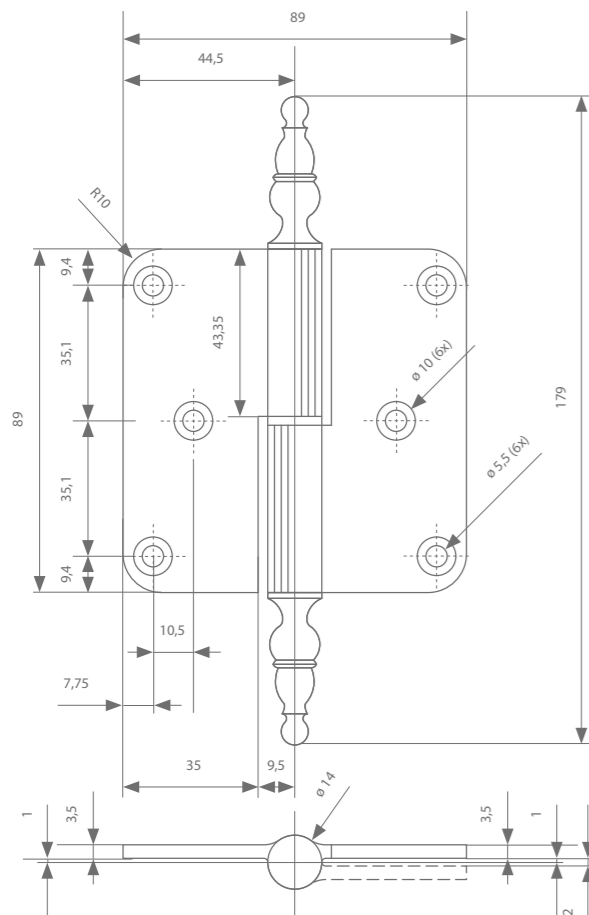
Aluminium

Finish

- CU2, BR2, NI2
- Other RAL- colours are available from 500 pieces per direction of rotation. Please contact our sales department for more information.



Technical drawing



Technical properties

| | |
|----------------|---------------------|
| Size | 89 mm / 89 mm |
| Knuckle | $\varnothing 14$ mm |
| Leaf width | 35 mm 'closed' |
| Leaf thickness | 3,5 mm |
| Pin | 8 mm |

hinges 100/85

hinge 100/85A open

Version

left or right model

With electrolytically zinc-plated pin from drawn steel, fitted with a nylon collet in the same colour as the hinge. Also available with stainless steel pin.

Available accessories:

- universal argenta® milling template
- appropriate screws

Material

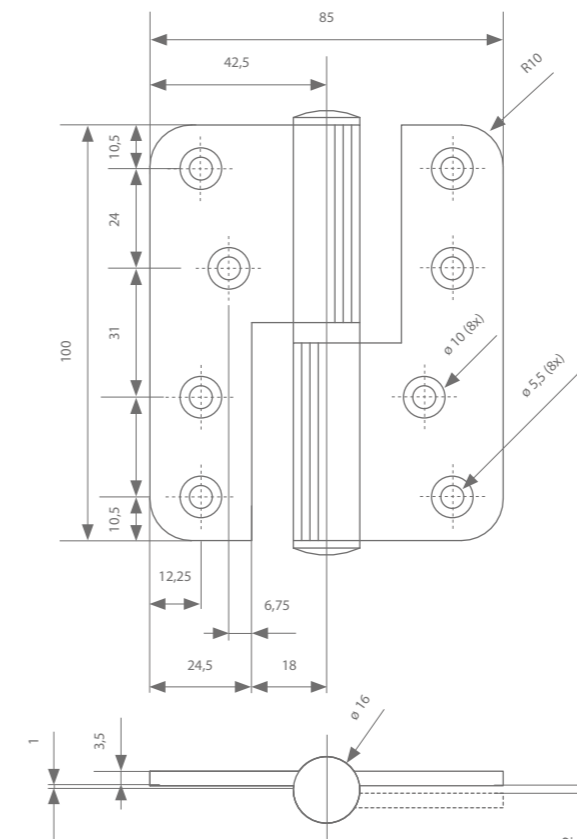
Aluminium

Finish

- F1
- Other RAL- colours are available from 500 pieces per direction of rotation. Please contact our sales department for more information.



Technical drawing



Technical properties

| | |
|----------------|---------------------|
| Size | 100 mm / 85 mm |
| Knuckle | $\varnothing 16$ mm |
| Leaf width | 24,5 mm 'open' |
| Leaf thickness | 3,5 mm |
| Pin | 9 mm |

hinges 100/85

hinge 100/85A closed

Version

left or right model

With electrolytically zinc-plated pin from drawn steel, fitted with a nylon collet in the same colour as the hinge. Also available with stainless steel pin.

Available accessories:

- universal argenta® milling template
- appropriate screws

Material

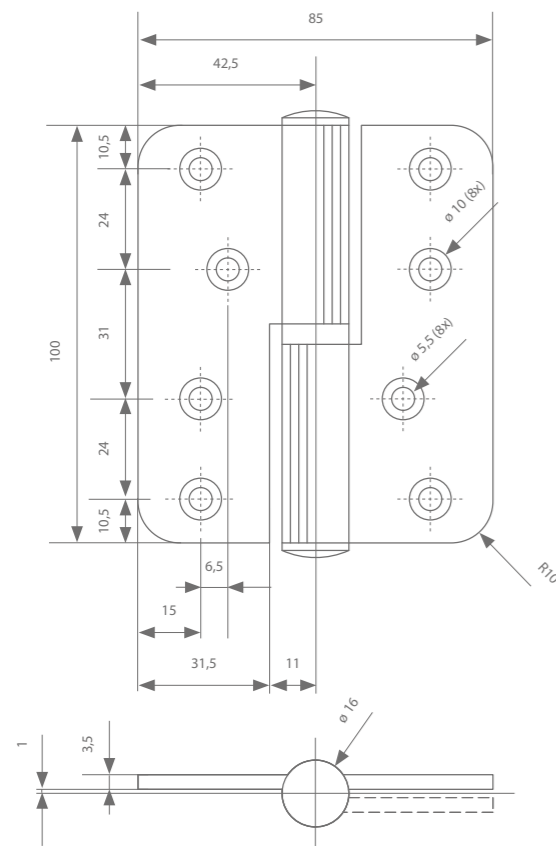
Aluminium

Finish

- F1, F2
- Other RAL- colours are available from 500 pieces per direction of rotation. Please contact our sales department for more information.



Technical drawing



Technical properties

| | |
|----------------|------------------|
| Size | 100 mm / 85 mm |
| Knuckle | Ø 16 mm |
| Leaf width | 31,5 mm 'closed' |
| Leaf thickness | 3,5 mm |
| Pin | 9 mm |

hinges 100/85

hinge 100/85A closed with vase finial

Version

left or right model

With electrolytically zinc-plated pin from drawn steel, fitted with a nylon collet in the same colour as the hinge. Also available with stainless steel pin.

Available accessories:

- universal argenta® milling template
- appropriate screws

Material

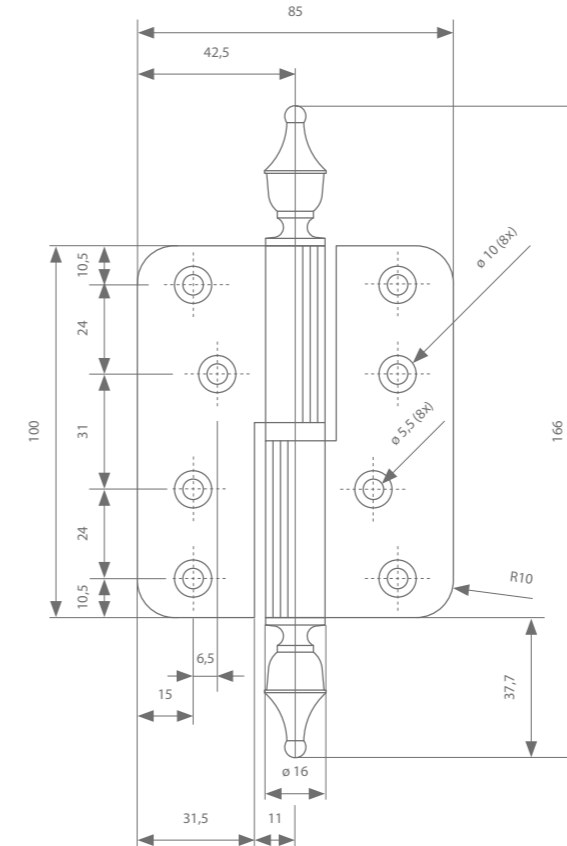
Aluminium

Finish

- CU1, BR1
- Other RAL- colours are available from 500 pieces per direction of rotation. Please contact our sales department for more information.



Technical drawing



Technical properties

| | |
|----------------|----------------|
| Size | 100 mm / 85 mm |
| Knuckle | Ø 16 mm |
| Leaf width | 31,5 mm 'open' |
| Leaf thickness | 3,5 mm |
| Pin | 9 mm |

hinges 100/85

hinge 100/85 closed

Version

left or right model

With electrolytically zinc-plated pin from drawn steel, fitted with a nylon collet in the same colour as the hinge. Also available with stainless steel pin.

Available accessories:

- universal argenta® milling template
- appropriate screws

Material

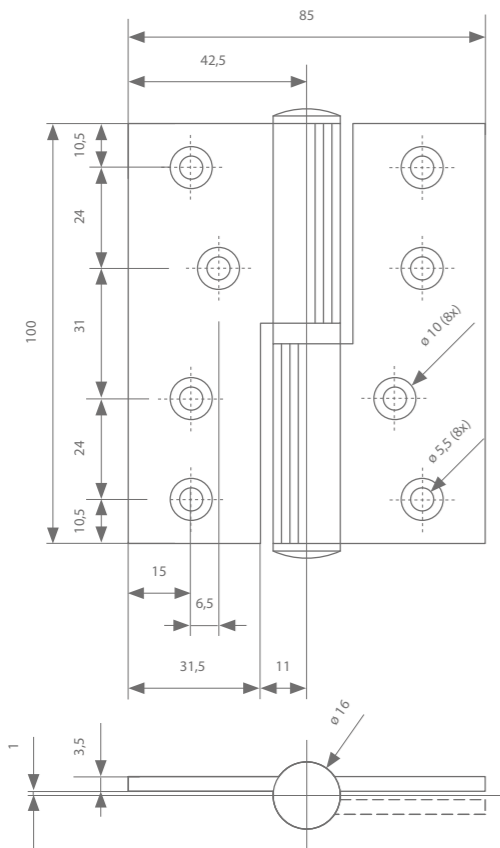
Aluminium

Finish

- F1
- Other RAL- colours are available from 500 pieces per direction of rotation. Please contact our sales department for more information.



Technical drawing



Technical properties

| | |
|----------------|----------------|
| Size | 100 mm / 85 mm |
| Knuckle | Ø 16 mm |
| Leaf width | 31,5 mm 'open' |
| Leaf thickness | 3,5 mm |
| Pin | 9 mm |

hinges 100/85

hinge 100/85A open

Version

left or right model

With electrolytically zinc-plated pin from drawn steel, fitted with a nylon collet in the same colour as the hinge. Also available with stainless steel pin.

Available accessories:

- universal argenta® milling template
- appropriate screws

Material

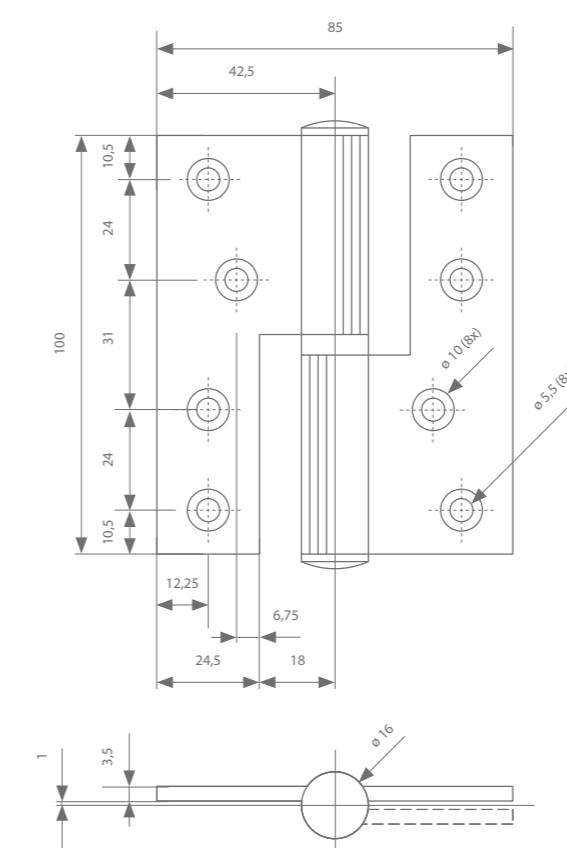
Aluminium

Finish

- F1
- Other RAL- colours are available from 500 pieces per direction of rotation. Please contact our sales department for more information.



Technical drawing



Technical properties

| | |
|----------------|----------------|
| Size | 100 mm / 85 mm |
| Knuckle | Ø 16 mm |
| Leaf width | 24,5 mm 'open' |
| Leaf thickness | 3,5 mm |
| Pin | 9 mm |

hinges 100/100

hinge 100/100A closed

Version

left or right model

With electrolytically zinc-plated pin from drawn steel, fitted with a nylon collet in the same colour as the hinge. Also available with stainless steel pin.

Available accessories:

- universal argenta® milling template
- appropriate screws

Material

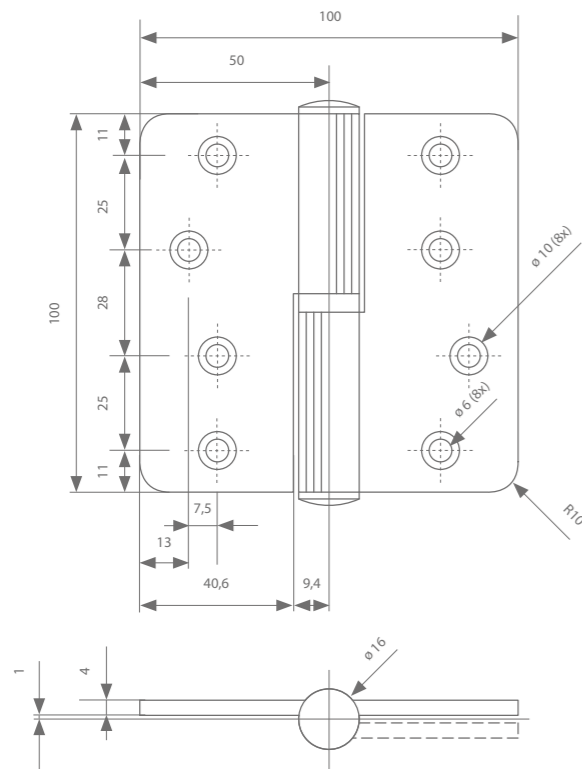
Aluminium

Finish

- F1
- Other RAL- colours are available from 500 pieces per direction of rotation. Please contact our sales department for more information.



Technical drawing



Technical properties

| | |
|----------------|---------------------|
| Size | 100 mm / 100 mm |
| Knuckle | $\varnothing 16$ mm |
| Leaf width | 40,6 mm 'closed' |
| Leaf thickness | 4 mm |
| Pin | 9 mm |

hinges 100/100

hinge 100/100 closed

Version

left or right model

With electrolytically zinc-plated pin from drawn steel, fitted with a nylon collet in the same colour as the hinge. Also available with stainless steel pin.

Available accessories:

- universal argenta® milling template
- appropriate screws

Material

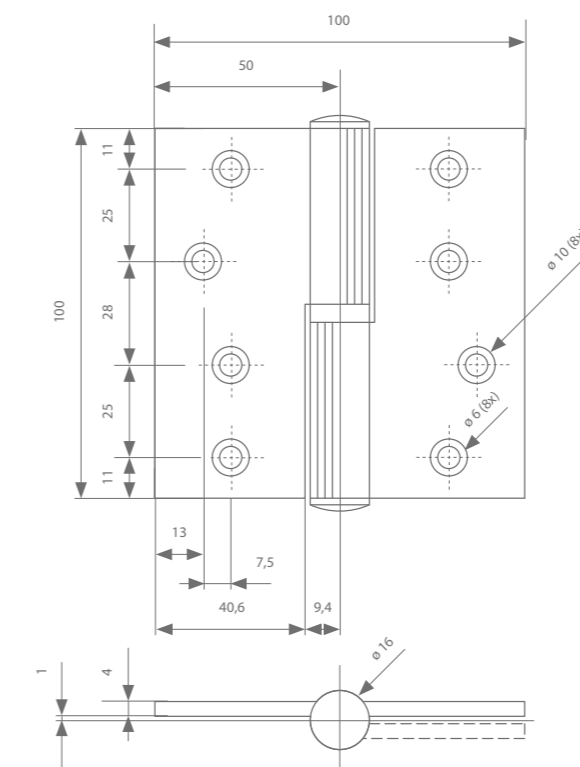
Aluminium

Finish

- F1
- Other RAL- colours are available from 500 pieces per direction of rotation. Please contact our sales department for more information.



Technical drawing



Technical properties

| | |
|----------------|---------------------|
| Size | 100 mm / 100 mm |
| Knuckle | $\varnothing 16$ mm |
| Leaf width | 40,6 mm 'closed' |
| Leaf thickness | 4 mm |
| Pin | 9 mm |

cranked hinges
cranked hinge 100/D

Version

left or right model

With electrolytically zinc-plated pin from drawn steel, fitted with a nylon collet in the same colour as the hinge. Also available with stainless steel pin.

Available accessories:

- appropriate screws

Material

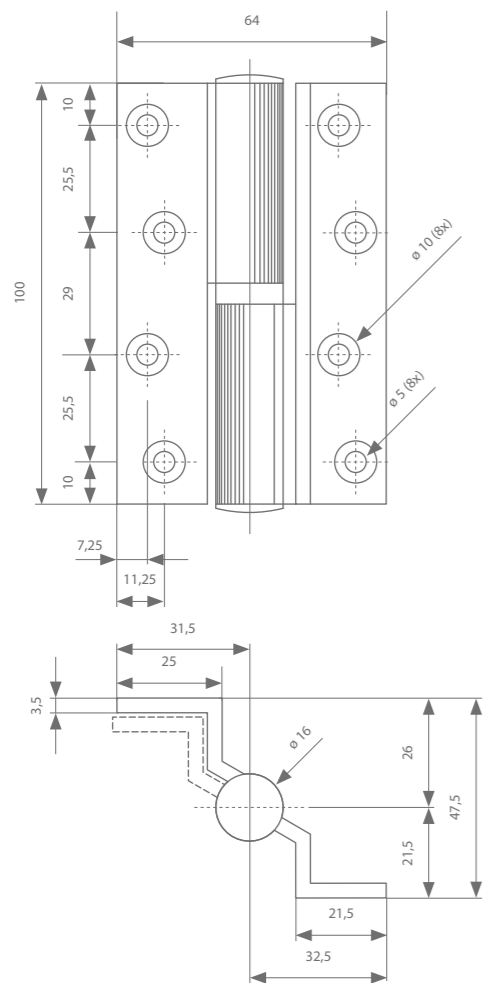
Aluminium

Finish

- F1
- Other RAL- colours are available from 500 pieces per direction of rotation. Please contact our sales department for more information.



Technical drawing



Technical properties

| | |
|----------------|---------------------|
| Size | 100 mm doorgezet |
| Knuckle | $\varnothing 16$ mm |
| Leaf width | - |
| Leaf thickness | 3,5 mm |
| Pin | 9 mm |

universal hinges
universal hinge 117/100

Version

universal
(can be used for left or right hand doors)

With electrolytically zinc-plated pin from drawn steel, fitted with a nylon collet in the same colour as the hinge. Also available with stainless steel pin.

Available accessories:

- appropriate screws

Material

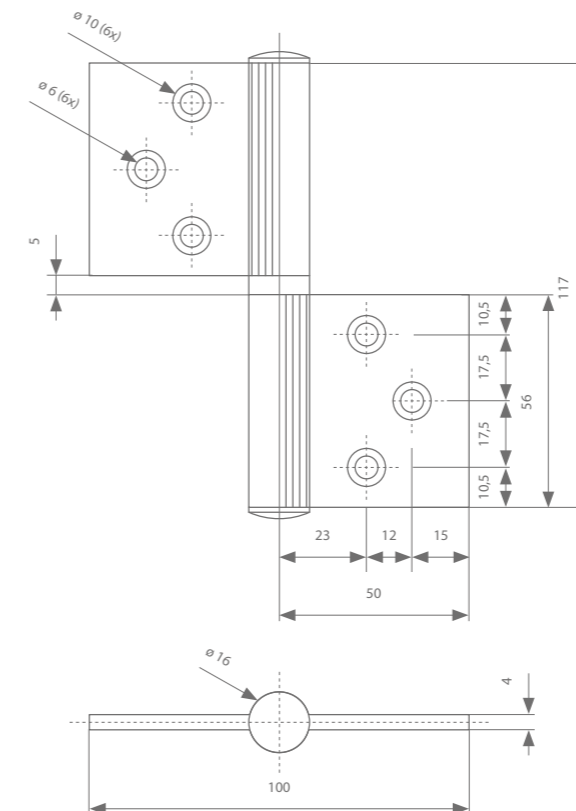
Aluminium

Finish

- F1, RAL 9010
- Other RAL- colours are available from 500 pieces per direction of rotation. Please contact our sales department for more information.



Technical drawing



Technical properties

| | |
|----------------|---------------------|
| Size | 117 mm / 100 mm |
| Knuckle | $\varnothing 16$ mm |
| Leaf width | 42 mm |
| Leaf thickness | 4 mm |
| Pin | 9 mm |

universal hinges

universal hinge 102/94

Version

universal
(can be used for left or right hand doors)

With electrolytically zinc-plated pin from drawn steel, fitted with a nylon collet in the same colour as the hinge. Also available with stainless steel pin.

Available accessories:

- appropriate screws

Material

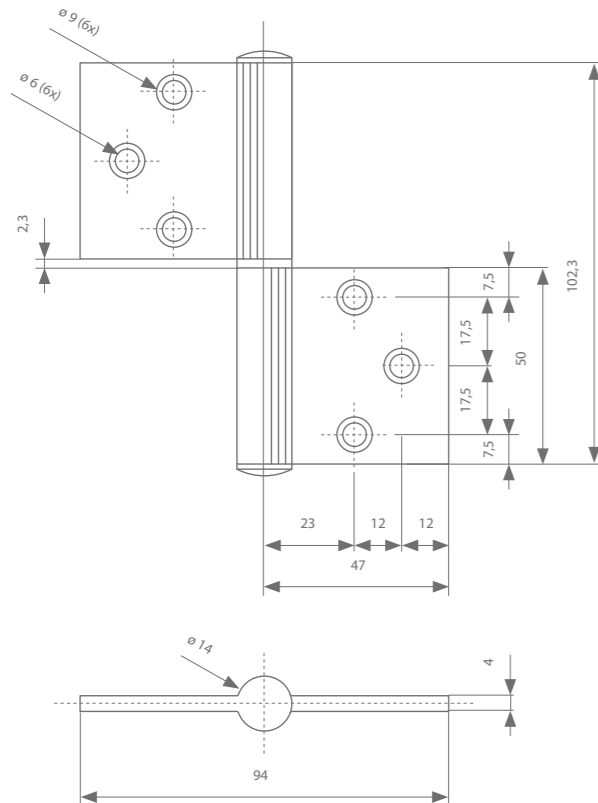
Aluminium

Finish

- F1, RAL 9010
- Other RAL- colours are available from 500 pieces per direction of rotation. Please contact our sales department for more information.



Technical drawing



Technical properties

| | |
|----------------|----------------|
| Size | 102 mm / 94 mm |
| Knuckle | Ø 14 mm |
| Leaf width | 40 mm |
| Leaf thickness | 4 mm |
| Pin | 8 mm |

self-closing hinges argenta close

self-closing hinge argenta close 80/80A

Version

left or right model

Also available: argenta® close 80/80A with vase or pyramid finial (not in F1, F2)
Fire certificate Rf 30 available (in accordance with NBN 713.020:1968, EN 1634-1:2000)

Available accessories:

- universal argenta® milling template
- appropriate screws

Material

Aluminium

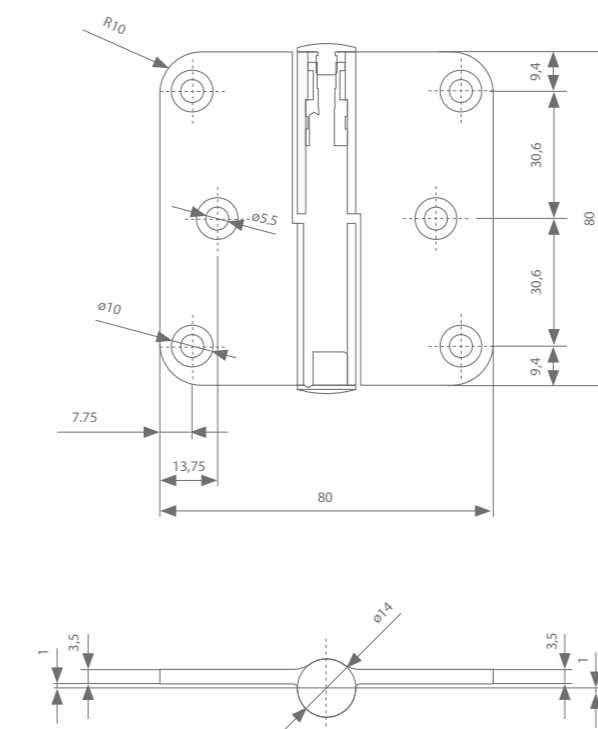
Finish

- F1, F2, RAL std, BR, CF, CHR, CU mat, INL
- Other RAL- colours are available from 500 pieces per direction of rotation. Please contact our sales department for more information.

Also available: argenta® close 80/80A with vase or pyramid finial (not in F1, F2)



Technical drawing



Technical properties

| | |
|----------------|------------------|
| Size | 80 mm / 80 mm |
| Knuckle | Ø 14 mm |
| Leaf width | 31,8 mm 'closed' |
| Leaf thickness | 3,5 mm |
| Pin | - |

self-closing hinges argenta close

self-closing hinge argenta close 89/89A

Version

left or right model

Also available: argenta® close 80/80A with vase or pyramid finial (not in F1, F2)

Fire certificate Rf 30 available (in accordance with NBN 713.020:1968, EN 1634-1:2000)

Available accessories:

- universal argenta® milling template
- appropriate screws

Material

Aluminium

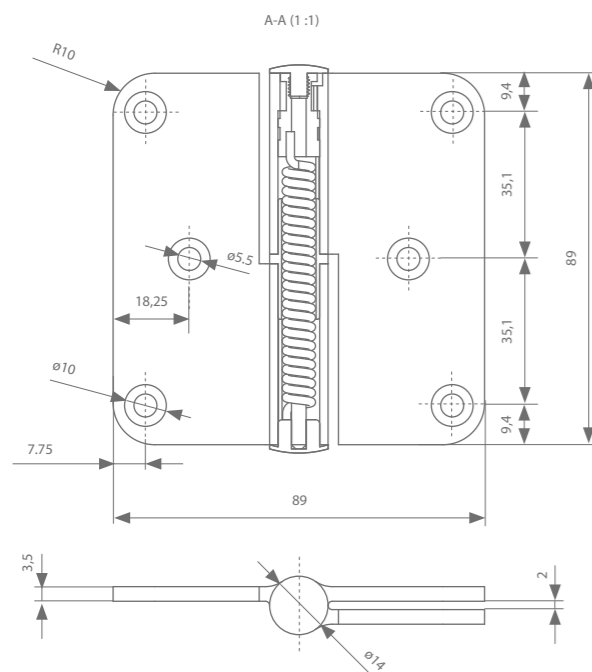
Finish

- F1, CHR
- Other RAL- colours are available from 500 pieces per direction of rotation. Please contact our sales department for more information.

Also available: argenta® close 80/80A with vase or pyramid finial (not in F1, F2)



Technical drawing



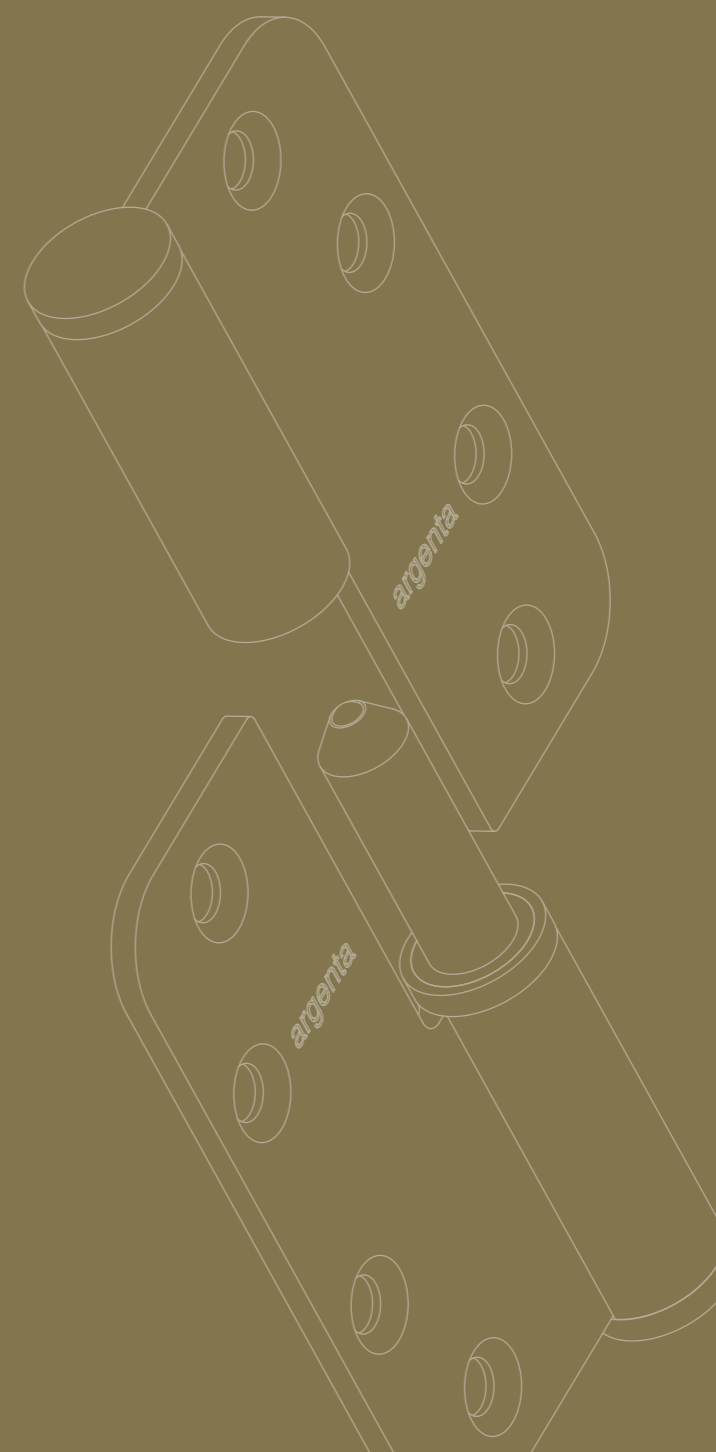
Technical properties

| | |
|----------------|----------------|
| Size | 89 mm / 89 mm |
| Knuckle | Ø 14 mm |
| Leaf width | 35 mm 'closed' |
| Leaf thickness | 3,5 mm |
| Pin | - |

02

STAINLESS STEEL SPLIT HINGES

Arlu® has created an innovative, patented improvement to its renowned stainless steel split hinges: the clamped wear ring. Argenta®'s stainless steel split hinges come with this clamping bi-material wear ring as standard. As the wear ring clamps into place by itself, it can no longer slide off the axle, meaning no more time is lost while installing the doors. The stainless steel split hinges are available in different finishes and can be used in both residential settings and development projects.

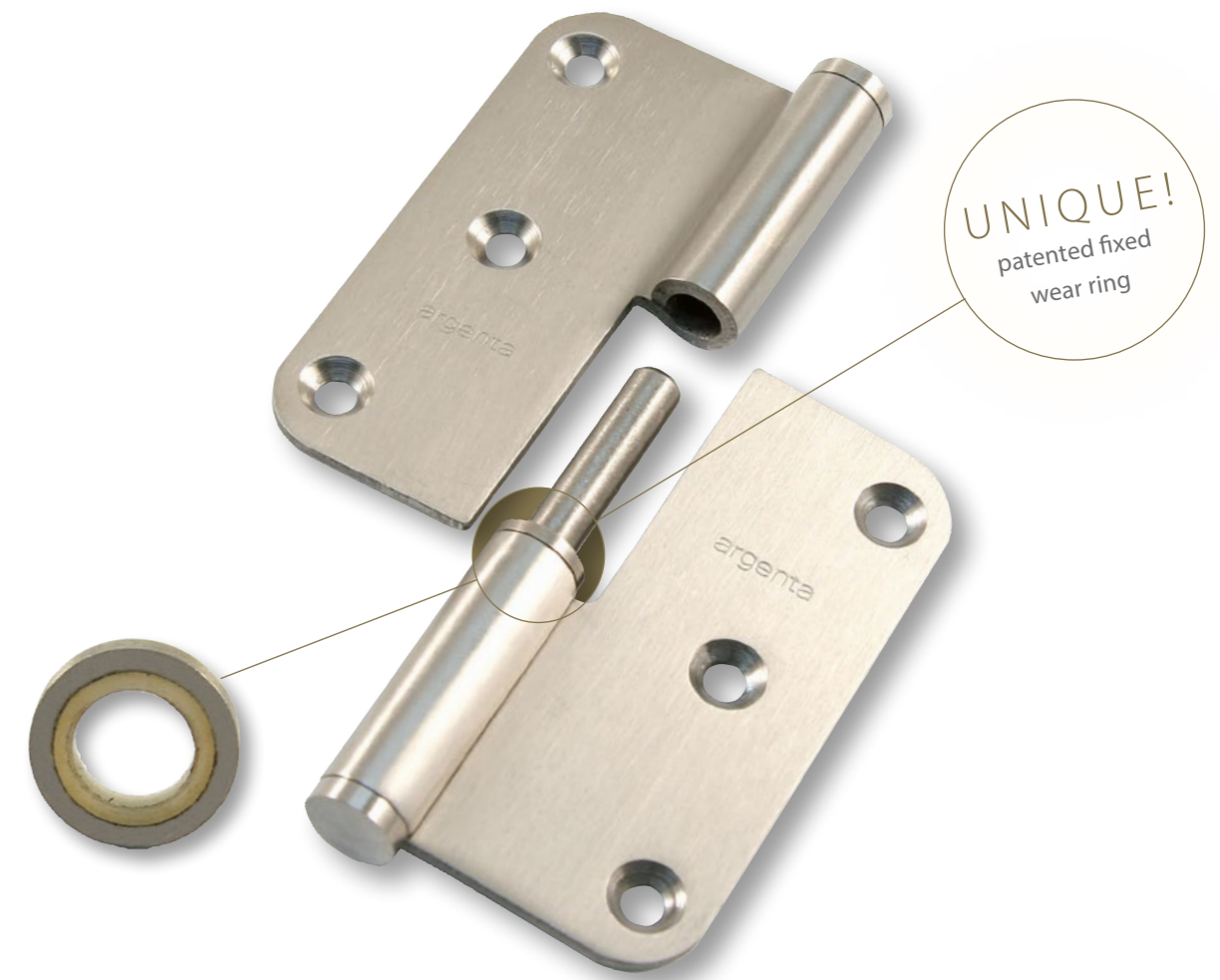




general info

Advantages

- No more lost wear rings during door installation
- Faster installation of doors
- Standard on stainless steel argenta® hinges 80/80A, 89/89A and 100/86A
- Wear ring can be obtained separately (thicknesses 2, 2.5, 3 and 5 mm)
- Included wear rings can also be used for height regulation
- Wear rings can still be removed/added manually
- Patented solution
- Less dirt as a result of grease or soot formation
- Wing with pin + ring and wing with hole available separately



hinges 80/80

hinge 80/80A closed

Version

left or right model

Rolled with stainless steel pin and ring
With unique patented clamped wear ring

Available accessories:

- universal argenta® milling template
- extra wear rings 1, 2, 3, 4, 5, 6, 7, and 8 mm (for hinge wing thickness 2,5 mm)
- extra clamped wear rings 2, 2.5 mm (for hinge wing thickness 2,5 mm)
- extra wear rings 1, 2, and 3 mm (for hinge wing thickness 3,5 mm)
- appropriate screws

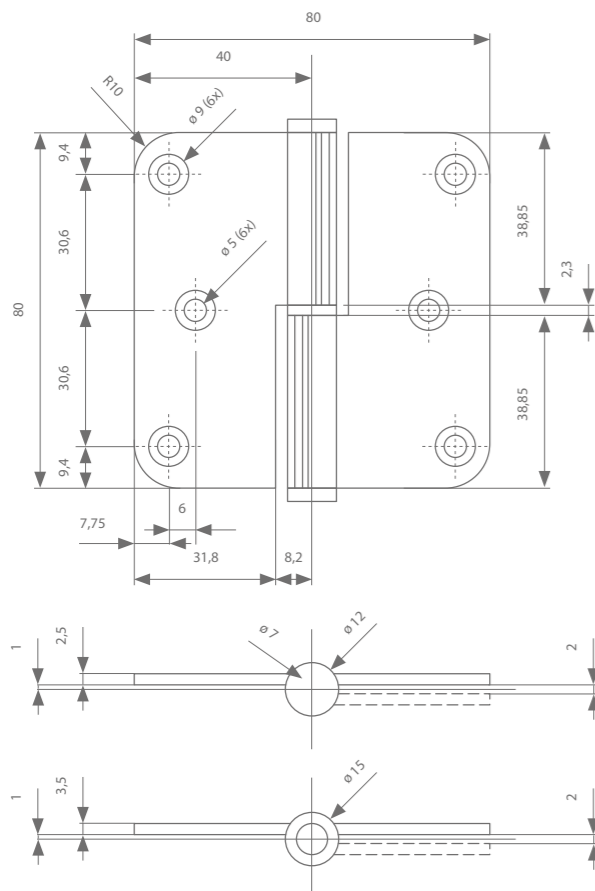
Material

Stainless steel

Finish

Brushed stainless steel, CU, BR, iron-colour, CHR, ALL, white (RAL 9010), black (MAT 9005), rust colour, AS

Technical drawing



Technical properties

| Size | 80 mm / 80 mm | 80 mm / 80 mm |
|----------------|------------------|------------------|
| Knuckle | Ø 12 mm | Ø 15 mm |
| Leaf width | 31,8 mm 'closed' | 30,8 mm 'closed' |
| Leaf thickness | 2,5 mm | 3,5 mm |
| Pin | 7 mm | 8 mm |

hinges 80/80

hinge 80/80A closed with pyramid finial

Version

left or right model

Rolled with stainless steel pin and ring
With unique patented clamped wear ring

Available accessories:

- universal argenta® milling template
- extra wear rings 1, 2, 3, 4, 5, 6, 7, and 8 mm (for hinge wing thickness 2,5 mm)
- extra clamped wear rings 2, 2.5 mm (for hinge wing thickness 2,5 mm)
- extra wear rings 1, 2, and 3 mm (for hinge wing thickness 3,5 mm)
- appropriate screws

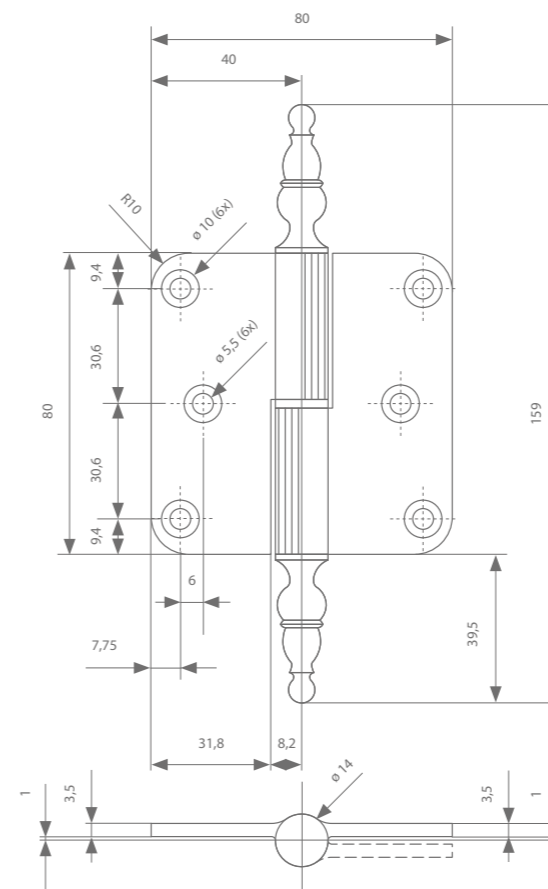
Material

Stainless steel

Finish

Brushed stainless steel, CU, BR, CHR, ALL, white (RAL 9010), black (MAT 9005), ACU

Technical drawing



Technical properties

| Size | 80 mm / 80 mm | 80 mm / 80 mm |
|----------------|------------------|------------------|
| Knuckle | Ø 12 mm | Ø 15 mm |
| Leaf width | 31,8 mm 'closed' | 30,8 mm 'closed' |
| Leaf thickness | 2,5 mm | 3,5 mm |
| Pin | 7 mm | 8 mm |

hinges 89/89

hinge 89/89A closed

Version

left or right model

Rolled with stainless steel pin and ring
With unique patented clamped wear ring

Available accessories:

- universal argenta® milling template
- extra wear rings 1, 2, 3, 4, 5, 6, 7, and 8 mm
- extra clamped wear rings 2, 2.5 mm

Material

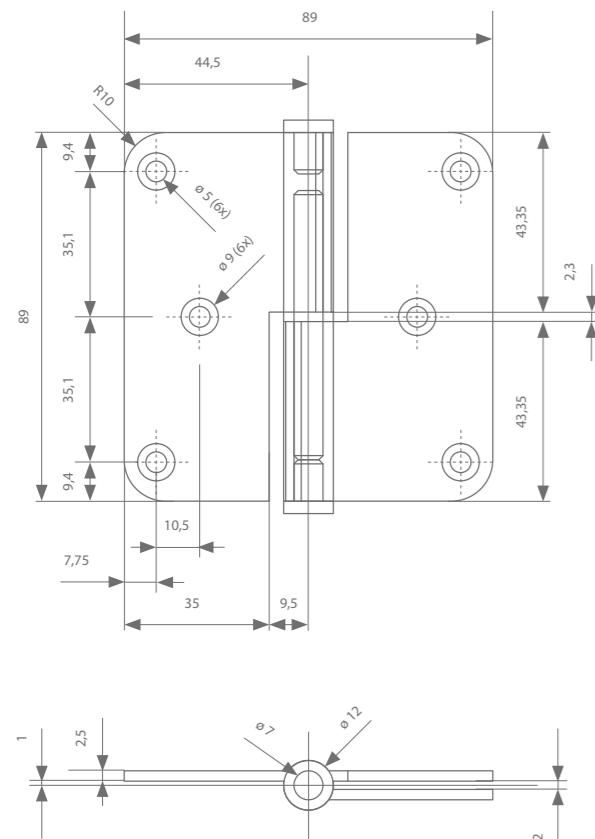
Stainless steel

Finish

Brushed stainless steel



Technical drawing



Technical properties

| | |
|----------------|---------------------|
| Size | 89 mm / 89 mm |
| Knuckle | $\varnothing 12$ mm |
| Leaf width | 35 mm 'closed' |
| Leaf thickness | 2,5 mm |
| Pin | 7 mm |

hinges 89/89

hinge 89/89A closed, with bullet nose pin

Version

left or right model

Rolled with stainless steel pin and ring

Available accessories:

- universal argenta® milling template
- extra wear rings 1, 2, 3, 4, 5, 6, 7, and 8 mm

Material

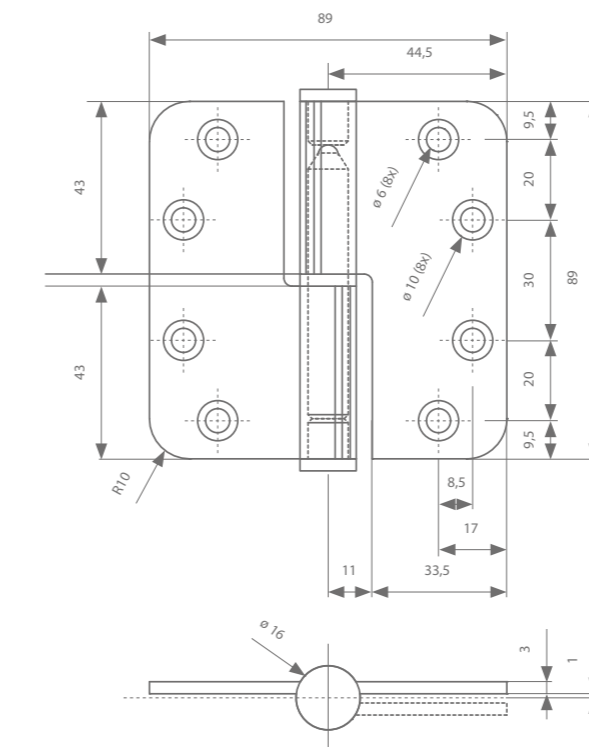
Stainless steel

Finish

Brushed stainless steel



Technical drawing



Technical properties

| | |
|----------------|---------------------|
| Size | 89 mm / 89 mm |
| Knuckle | $\varnothing 16$ mm |
| Leaf width | 35 mm 'closed' |
| Leaf thickness | 3 mm |
| Pin | 10 mm |

hinges 100/64
cranked hinge 100/64A

Version

left or right model

Rolled with stainless steel pin and ring

Available accessories:

- extra wear rings 1, 2, 3, 4, 5, 6, 7, and 8 mm

Material

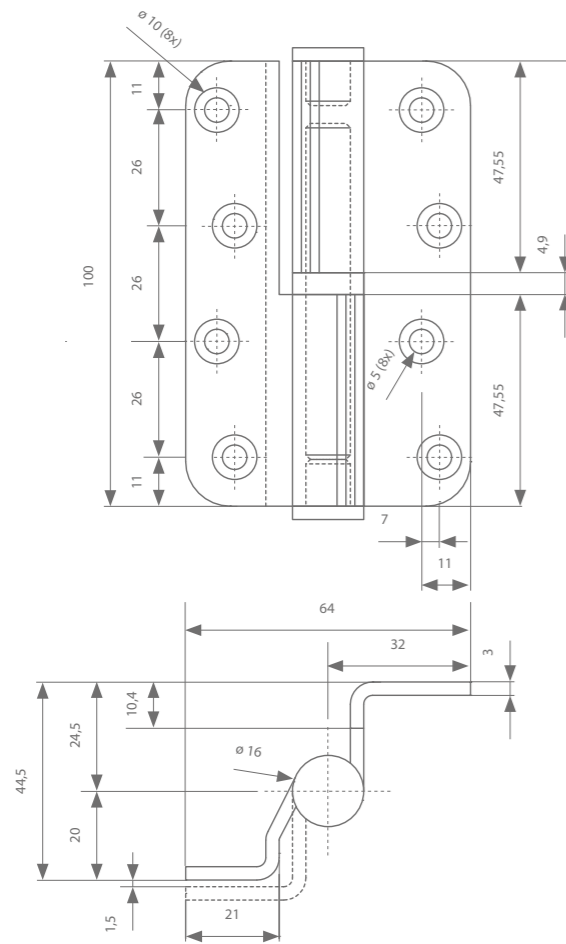
Stainless steel

Finish

Brushed stainless steel



Technical drawing



Technical properties

| | |
|----------------|----------------|
| Size | 100 mm / 64 mm |
| Knuckle | Ø 16 mm |
| Leaf width | 32 mm 'closed' |
| Leaf thickness | 3 mm |
| Pin | 10 mm |

hinges 100/86
hinge 100/86A open

Version

left or right model

Rolled with stainless steel pin and ring
With unique patented clamped wear ring

Available accessories:

- universal argenta® milling template
- extra wear rings 1, 2, 3, 4, 5, 6, 7, and 8 mm
- extra clamped wear rings 3, 5 mm

Material

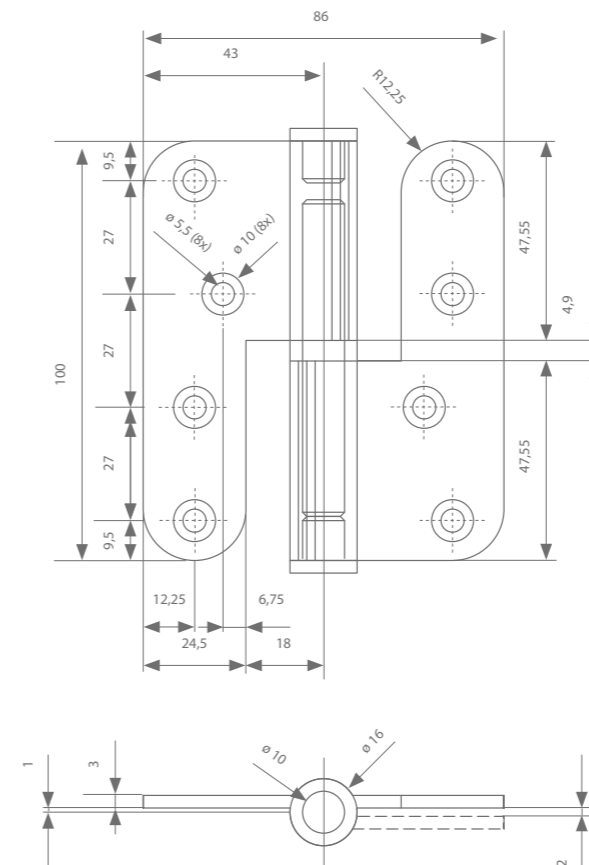
Stainless steel

Finish

Brushed stainless steel



Technical drawing



Technical properties

| | |
|----------------|----------------|
| Size | 100 mm / 86 mm |
| Knuckle | Ø 16 mm |
| Leaf width | 24,5 mm 'open' |
| Leaf thickness | 3 mm |
| Pin | 10 mm |

hinges 100/86

hinge 100/86A open, adjustable

Version

left or right model

Rolled with stainless steel pin and ring
With unique patented clamped wear ring
Height adjustable

Available accessories:

- universal argenta® milling template
- extra wear rings 1, 2, 3, 4, 5, 6, 7, and 8 mm
- extra clamped wear rings 3, 5 mm

Material

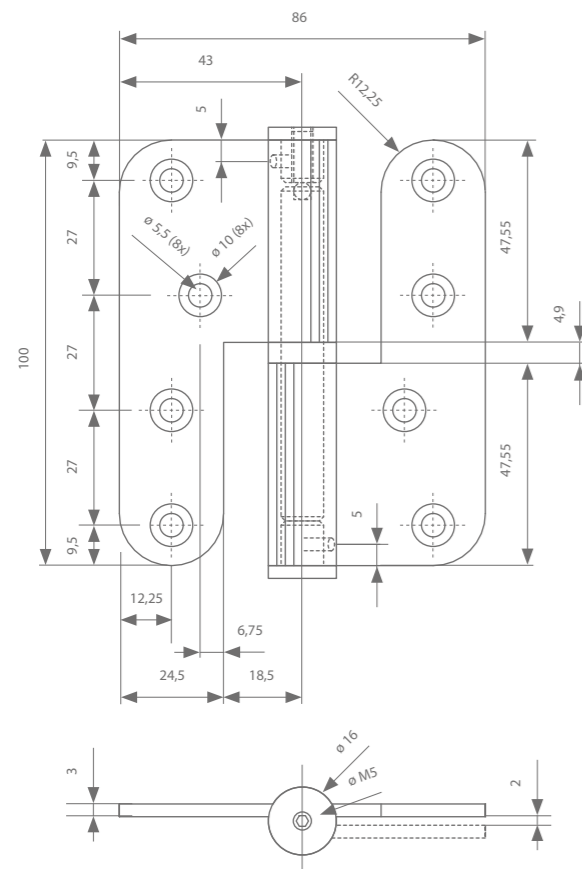
Stainless steel

Finish

Brushed stainless steel



Technical drawing



Technical properties

| | |
|----------------|----------------|
| Size | 100 mm / 86 mm |
| Knuckle | Ø 16 mm |
| Leaf width | 24,5 mm 'open' |
| Leaf thickness | 3 mm |
| Pin | 10 mm |

hinges 100/86

hinge 100/86A open, rising

Version

left or right model

Rolled with stainless steel pin and ring

Rising hinge

- at 90°: 5,2 mm
- at 180°: 11,4 mm

Available accessories:

- universal argenta® milling template

Material

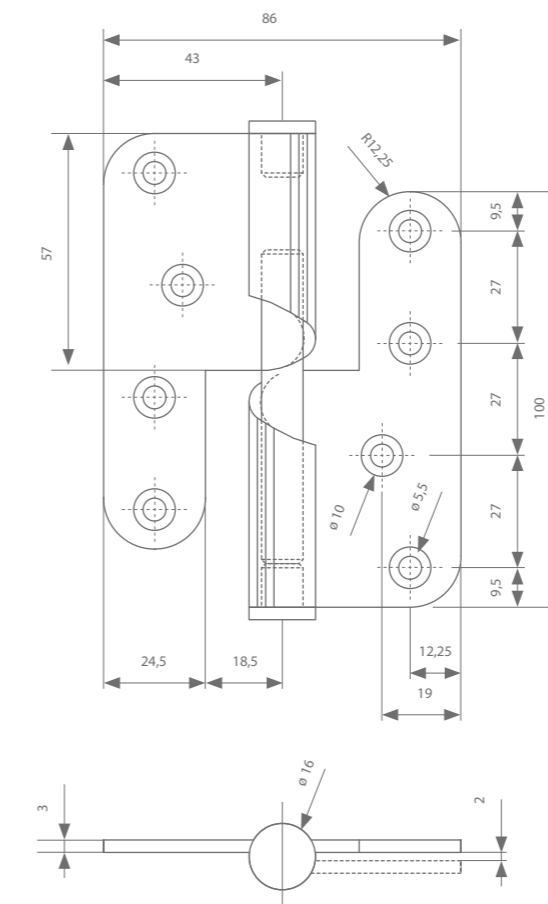
Stainless steel

Finish

Brushed stainless steel



Technical drawing



Technical properties

| | |
|----------------|----------------|
| Size | 100 mm / 86 mm |
| Knuckle | Ø 16 mm |
| Leaf width | 24,5 mm 'open' |
| Leaf thickness | 3 mm |
| Pin | 10 mm |

hinges 100/86

hinge 100/86A open, with ball-bearing ring

Version

left or right model

Rolled with stainless steel pin

Available accessories:

- universal argenta® milling template
- extra wear rings 1, 2, 3, 4, 5, 6, 7, and 8 mm

Material

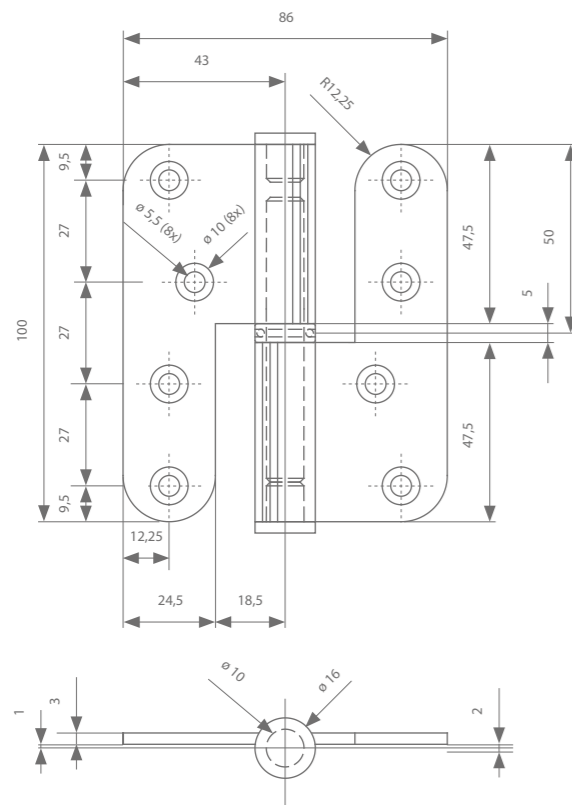
Stainless steel

Finish

Brushed stainless steel



Technical drawing



Technical properties

| | |
|----------------|----------------|
| Size | 100 mm / 86 mm |
| Knuckle | Ø 16 mm |
| Leaf width | 24,5 mm 'open' |
| Leaf thickness | 3 mm |
| Pin | 10 mm |

hinges 100/78

hinge 100/78A wood-metal (+ clamp)

Version

left or right model

Rolled with stainless steel pin and ring

Burglary-resistant

class WK3 (in accordance with prEN 1627-1628-1629-1630)

Available accessories:

- universal argenta® milling template
- extra wear rings 1, 2, 3, 4, 5, 6, 7, and 8 mm

Material

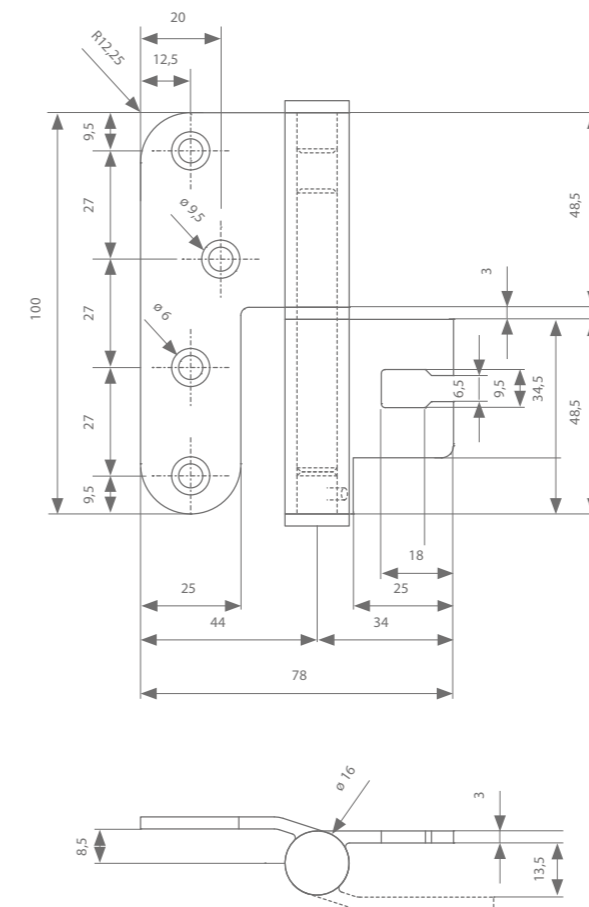
Stainless steel

Finish

Brushed stainless steel



Technical drawing



Technical properties

| | |
|----------------|----------------|
| Size | 100 mm / 78 mm |
| Knuckle | Ø 16 mm |
| Leaf width | 25 mm 'open' |
| Leaf thickness | 3 mm |
| Pin | 10 mm |

hinges 120/86

hinge 120/86A open

Version

left or right model

Rolled with stainless steel pin

Available accessories:

- universal argenta® milling template
- extra wear rings 1, 2, 3, 4, 5, 6, 7, and 8 mm

Material

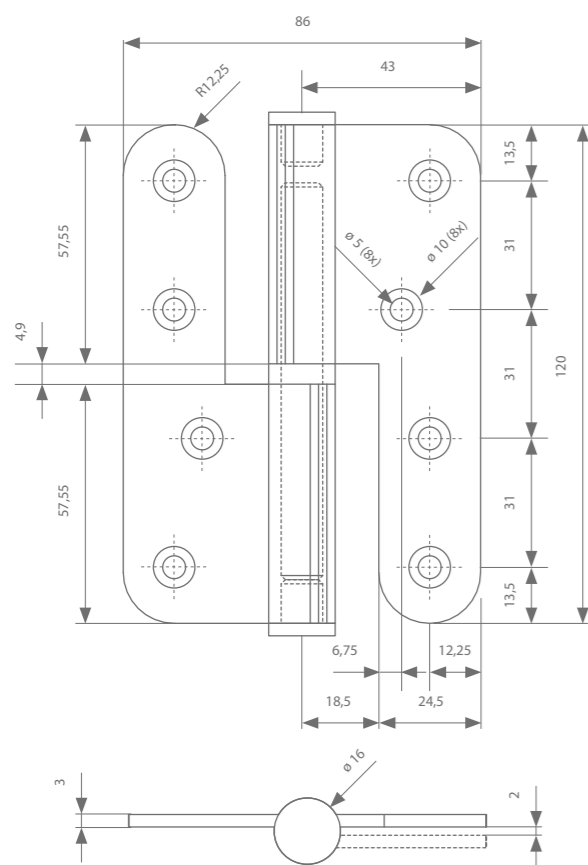
Stainless steel

Finish

Brushed stainless steel



Technical drawing



Technical properties

| | |
|----------------|----------------|
| Size | 120 mm / 86 mm |
| Knuckle | Ø 16 mm |
| Leaf width | 32 mm 'open' |
| Leaf thickness | 3 mm |
| Pin | 10 mm |

sarana hinges

hinge 100-90

Version

universal

(can be used either for left or right hand door)

- Hinge for heavy and intensively used doors
- No visible end caps and pin
- Equipped with self-lubricating Argentalon® sliding bearings
- Maintenance-free
- Pin screwed and fastened
- Easily removable due to threaded hinge-pin system
- Equipped with star-shaped threaded holes for additional security
- 1-hour fire rated

Material

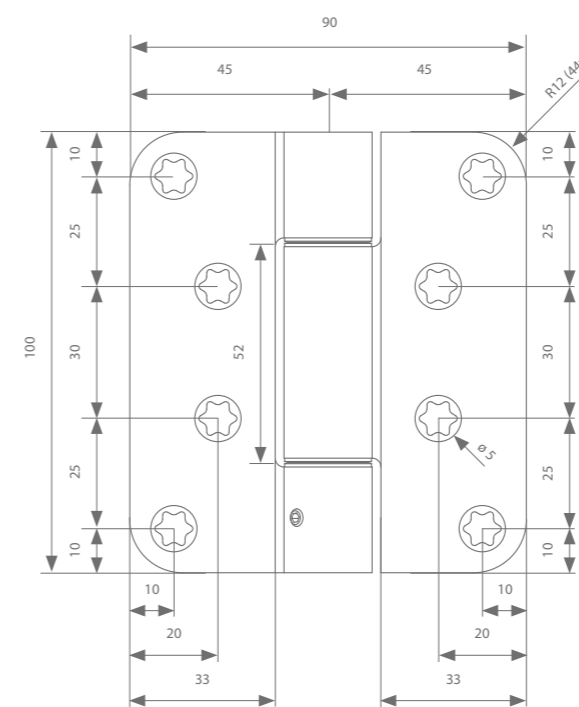
Inox 304 / RVS

Finish

Brushed stainless steel



Technical drawing



Technical properties

| | |
|----------------|----------------|
| Size | 100 mm / 90 mm |
| Knuckle | Ø 20 mm |
| Leaf width | 33 mm |
| Leaf thickness | 3 mm |
| Pin | 12 mm |

sarana hinges
hinge 100 H-MB

Version

universal
(can be used either for left or right hand door)

- Hinge for heavy and intensively used standard flush doors with wood, steel, and aluminium frames for use with standard 2D adjustable mounting bracket
- No visible end caps and pin
- Equipped with self-lubricating axial-radial Argentalon® sliding bearings
- Maintenance-free
- Pin screwed and fastened
- Easily removable due to threaded hinge-pin system
- Fire and smoke resistant
- For size #5 screws

Material

Inox 304 / RVS

Finish

Brushed stainless steel



sarana hinges
hinge 100 H-M

Version

universal
(can be used either for left or right hand door)

- Hinge for heavy and intensively used standard flush doors with wood, steel, and aluminium frames for use with 3D adjustable mounting bracket
- No visible end caps and pin
- Equipped with self-lubricating axial-radial Argentalon® sliding bearings
- Maintenance-free
- Pin screwed and fastened
- Easily removable due to threaded hinge-pin system
- Fire and smoke resistant
- For size #5 screws

Material

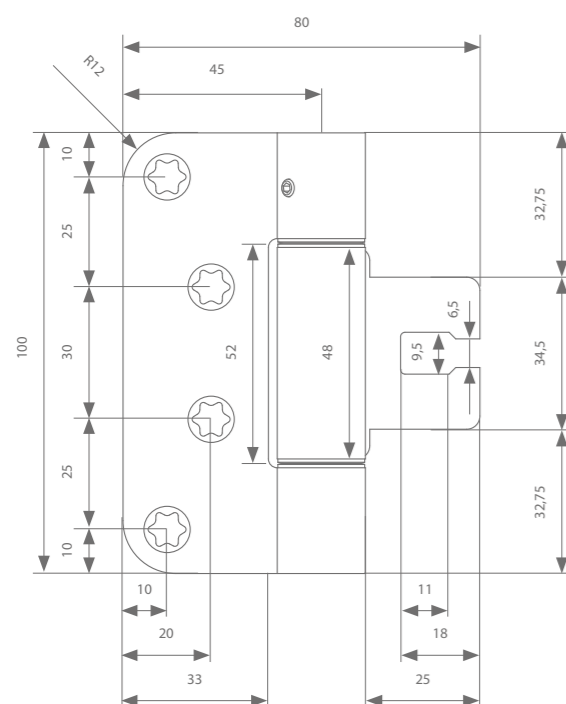
Inox 304 / RVS

Finish

Brushed stainless steel



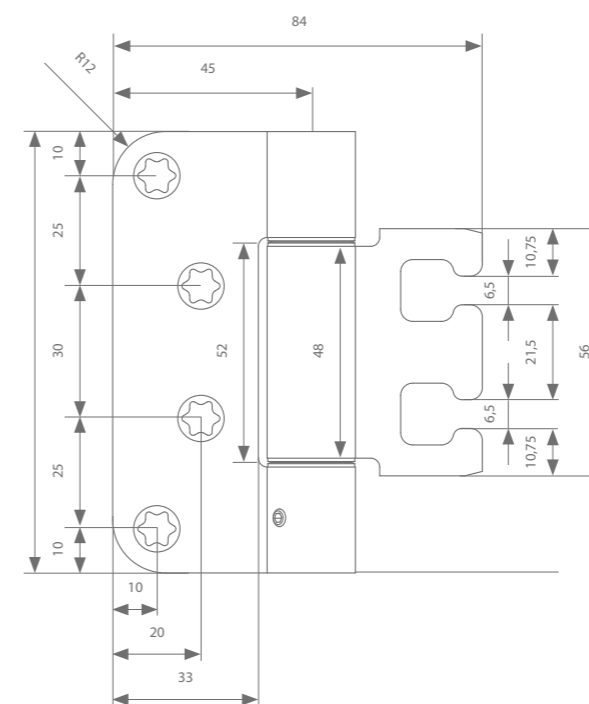
Technical drawing



Technical properties

| | |
|----------------|----------------|
| Size | 100 mm / 81 mm |
| Knuckle | Ø 20 mm |
| Leaf width | 33 mm |
| Leaf thickness | 3 mm |
| Pin | 12 mm |

Technical drawing



Technical properties

| | |
|----------------|----------------|
| Size | 100 mm / 84 mm |
| Knuckle | Ø 20 mm |
| Leaf width | 33 mm |
| Leaf thickness | 3 mm |
| Pin | 12 mm |

sarana hinges
hinge 100 H-MD

Version

universal
(can be used either for left or right hand door)

- Hinge for heavy and intensively used standard flush and panel doors with wood, steel, and aluminium frames for use with 3D adjustable mounting bracket
- No visible end caps and pin
- Equipped with self-lubricating axial-radial
- Argentalon® sliding bearings
- Maintenance-free
- Pin screwed and fastened
- Easily removable due to threaded hinge-pin system
- Fire and smoke resistant
- For size #5 screws

Material

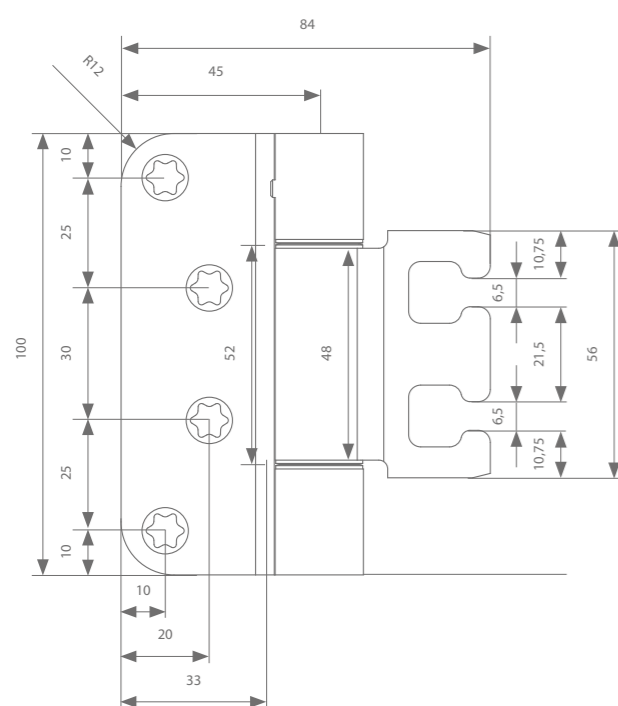
Inox 304 / RVS

Finish

Brushed stainless steel



Technical drawing



Technical properties

| | |
|----------------|----------------|
| Size | 100 mm / 84 mm |
| Knuckle | Ø 20 mm |
| Leaf width | 33 mm |
| Leaf thickness | 3 mm |
| Pin | 12 mm |

sarana hinges
mounting clamp

Description

3D adjustable mounting brackets for steel or aluminium door frames of standard flush and panel doors with Argenta® Sarana® 100 H/M or Argenta® Sarana® 100 H/MD hinges

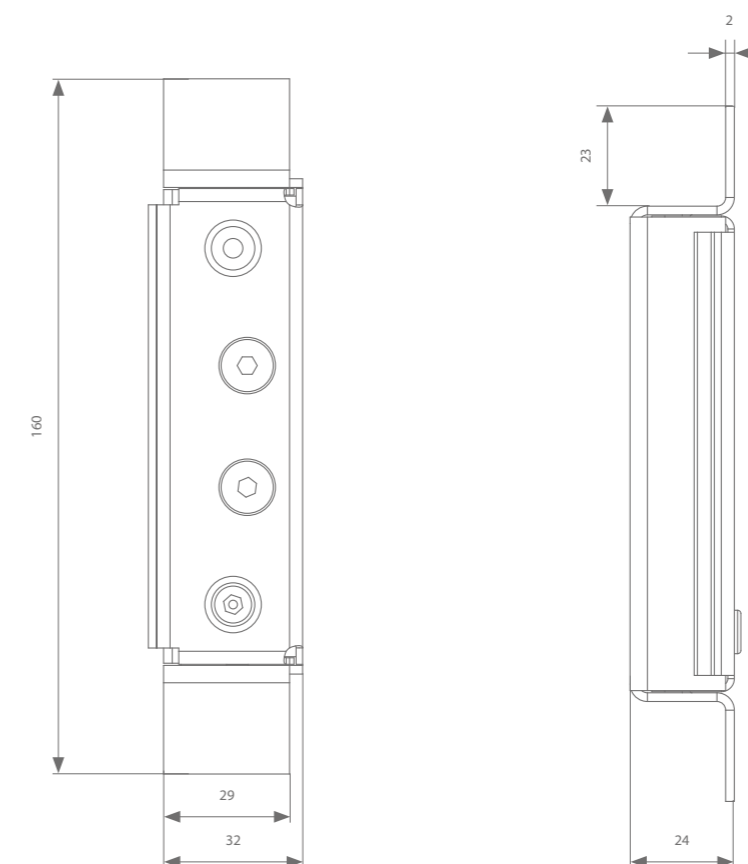
- Height adjustment: ± 3 mm
- Suspension adjustment: ± 3 mm
- Pressure adjustment: +2 -3 mm
- Mounting bracket protected against penetration by mortar, concrete, or other grout and insulation materials (e.g. PUR)
- Fire and smoke resistant
- Zinc-plated steel

Material / Finish

Electrolytically galvanized steel



Technical drawings

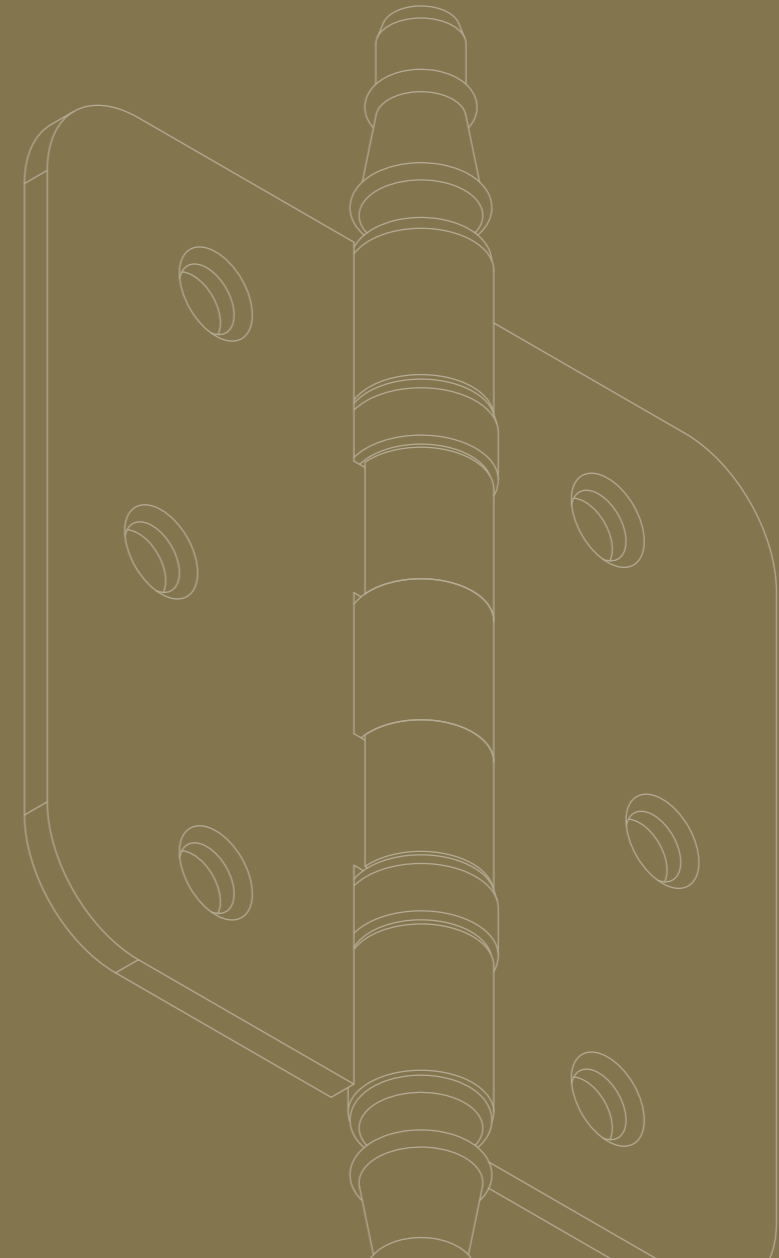




03

STEEL SPLIT HINGES

Cottage-style homes with solid doors require specific split hinges to provide just the right finish. Argenta®'s steel ball bearing hinges in a copper or bronze finish provide the perfect solution for this setting. These universal hinges with a traditional finial can be used for both left and right-hand doors.



five-knuckle hinges

five-knuckle hinge 76/76A

Version

universal
(can be used for left or right hand doors)

With electrolytically zinc-plated pin from drawn steel

Available accessories:

- universal argenta® milling template
- appropriate screws

Material

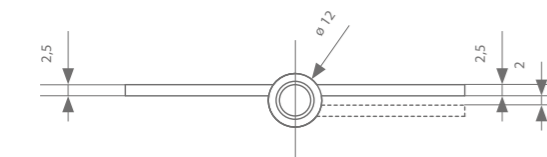
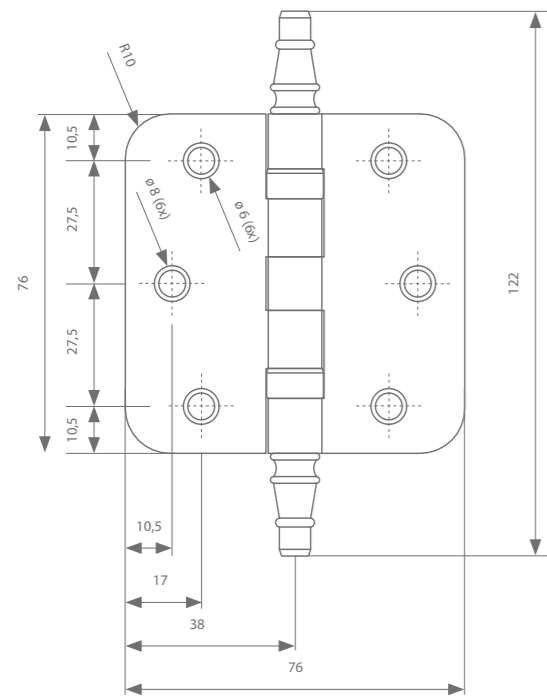
Steel

Finish

CU, BR



Technical drawing



Technical properties

| | |
|----------------|---------------|
| Size | 76 mm / 76 mm |
| Knuckle | Ø 12 mm |
| Leaf width | 38 mm |
| Leaf thickness | 2,5 mm |
| Pin | 7 mm |

five-knuckle hinges

five-knuckle hinge 80/80A

Version

universal
(can be used for left or right hand doors)

With electrolytically zinc-plated pin from drawn steel

Available accessories:

- universal argenta® milling template
- appropriate screws

Material

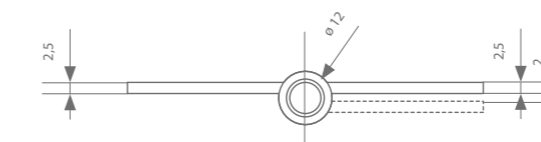
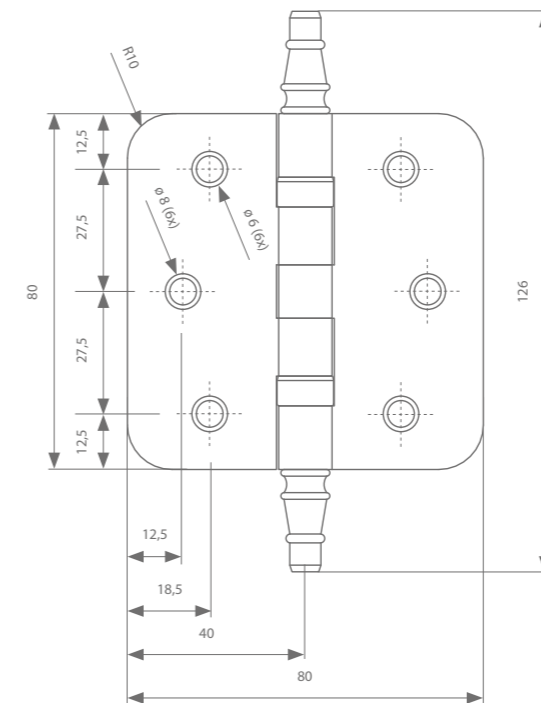
Steel

Finish

CU, BR



Technical drawing



Technical properties

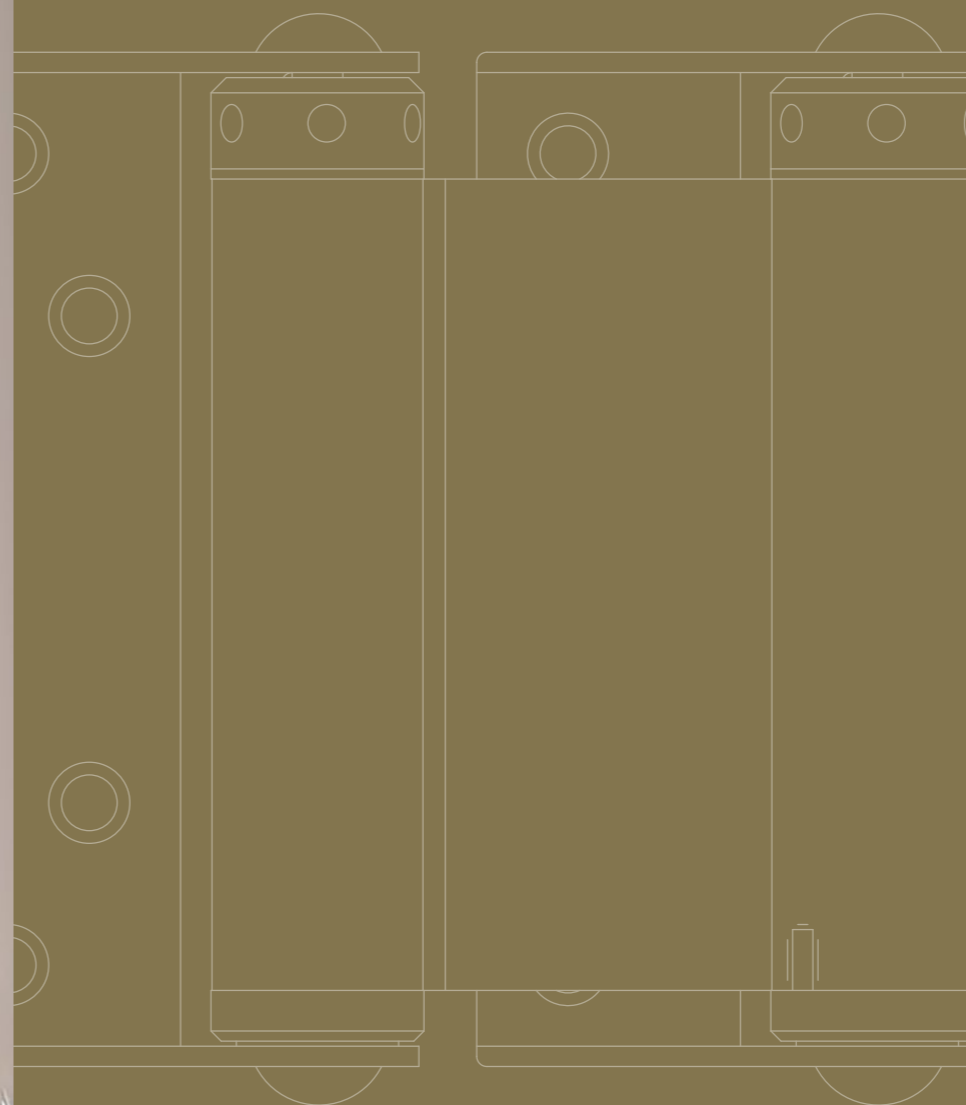
| | |
|----------------|---------------|
| Size | 80 mm / 80 mm |
| Knuckle | Ø 12 mm |
| Leaf width | 40 mm |
| Leaf thickness | 2,5 mm |
| Pin | 7 mm |



04

SPRING HINGES

Spring hinges are equipped with an invisible spring that causes the door to close automatically. There are two types of spring hinges, single and double action. Single-action spring hinges always pull the door closed against a stop. Double-action spring hinges are equipped with two springs. These allow the door to swing in both directions and to be pulled shut from either direction. Both types come in five different sizes and are available in galvanised, black powder coated, or stainless steel. Installation is incredibly simple and adjustable spring tension makes them perfect for every application.



spring hinge single 180/1 & double 180/2

Version

single 180/1 or double 180/2

With stainless steel pin and hardened steel spring.

Includes key for tension adjustment

Available accessories:

- appropriate screws

Material

Aluminium

Finish

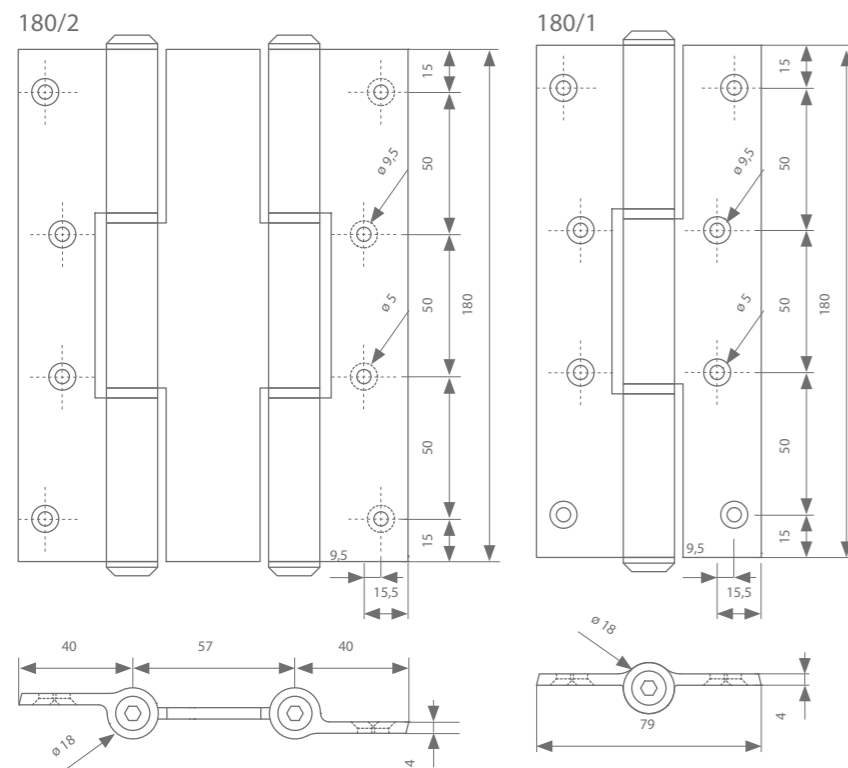
F1



Technical properties

| | |
|----------------|----------------|
| Size | 180 mm |
| Knuckle | Ø 18 mm |
| Leaf width | 40 mm 'closed' |
| Leaf thickness | 4 mm |
| Pin | - |

Technical drawings



spring hinge 3"

Version

Rolled in steel or stainless steel and equipped with a tempered steel

spring. Stainless steel springs available upon request.

Adjustable spring tension (key not supplied).

Material

Steel or stainless steel

Finish

Steel

- Galvanised steel
- Black powder coated (RAL9005)

Stainless steel



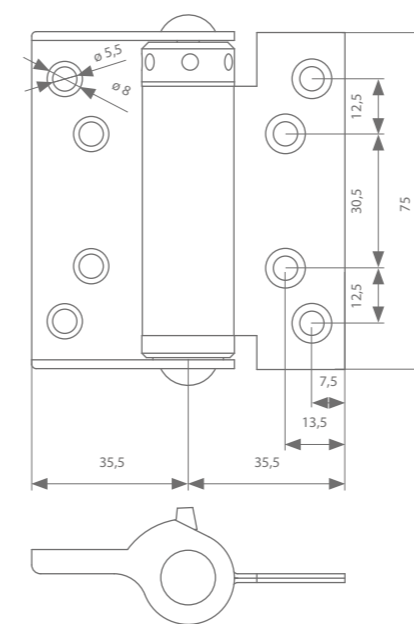
Technical properties

| Size | Single-action 75 mm | Double-action 75 mm |
|----------------|---------------------|---------------------|
| Knuckle | Ø 21 mm | Ø 21 mm |
| Leaf width | 35,5 mm | 35,5 mm |
| Leaf thickness | 2 – 5,5 mm | 2 – 5,5 mm |

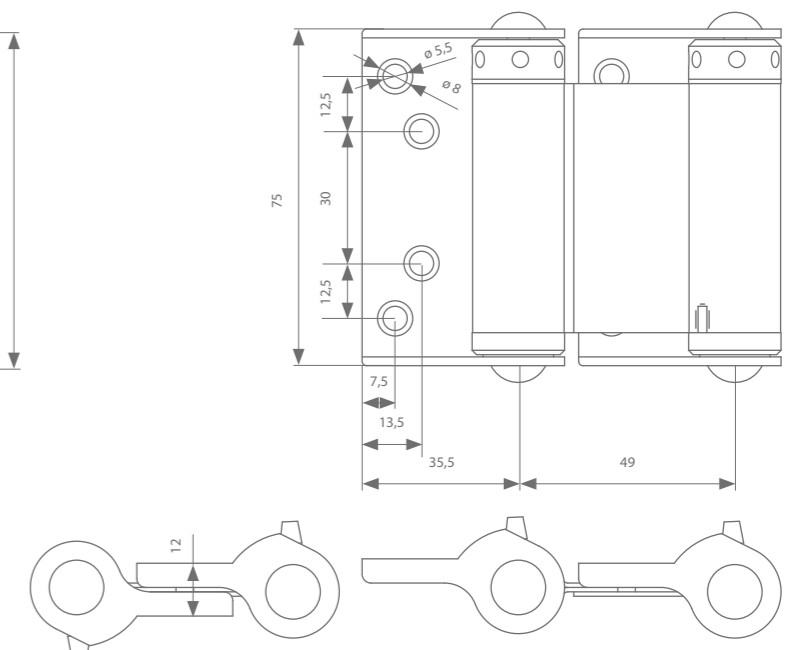
Packed in boxes of 2.

Technical drawings

Single-action



Double-action



spring hinge 4"

Version

Rolled in steel or stainless steel and equipped with a tempered steel spring. Stainless steel springs available upon request. Adjustable spring tension (key not supplied).

Material

Steel or stainless steel

Finish

Steel

- Galvanised steel
- Black powder coated (RAL9005)

Stainless steel

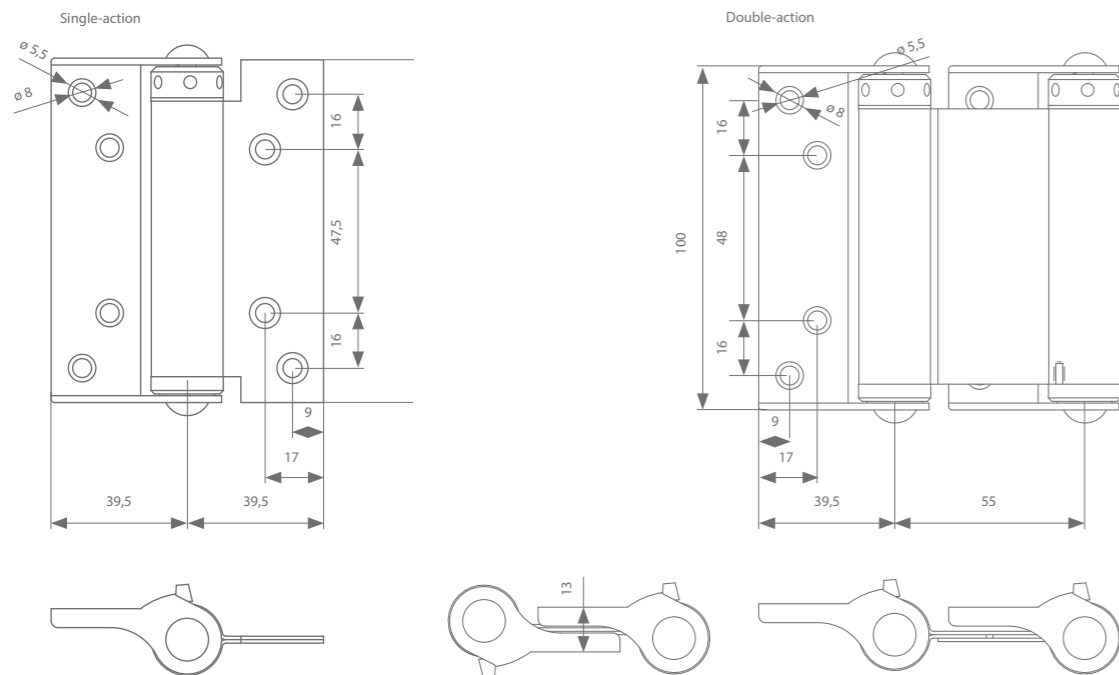


Technical properties

| Size | Single-action 100 mm | Double-action 100 mm |
|----------------|----------------------|----------------------|
| Knuckle | Ø 21 mm | Ø 21 mm |
| Leaf width | 39,5 mm | 39,5 mm |
| Leaf thickness | 2 – 5,5 mm | 2 – 5,5 mm |

Packed in boxes of 2.

Technical drawings



spring hinge 5"

Version

Rolled in steel or stainless steel and equipped with a tempered steel spring. Stainless steel springs available upon request. Adjustable spring tension (key not supplied).

Material

Steel or stainless steel

Finish

Steel

- Galvanised steel
- Black powder coated (RAL9005)

Stainless steel

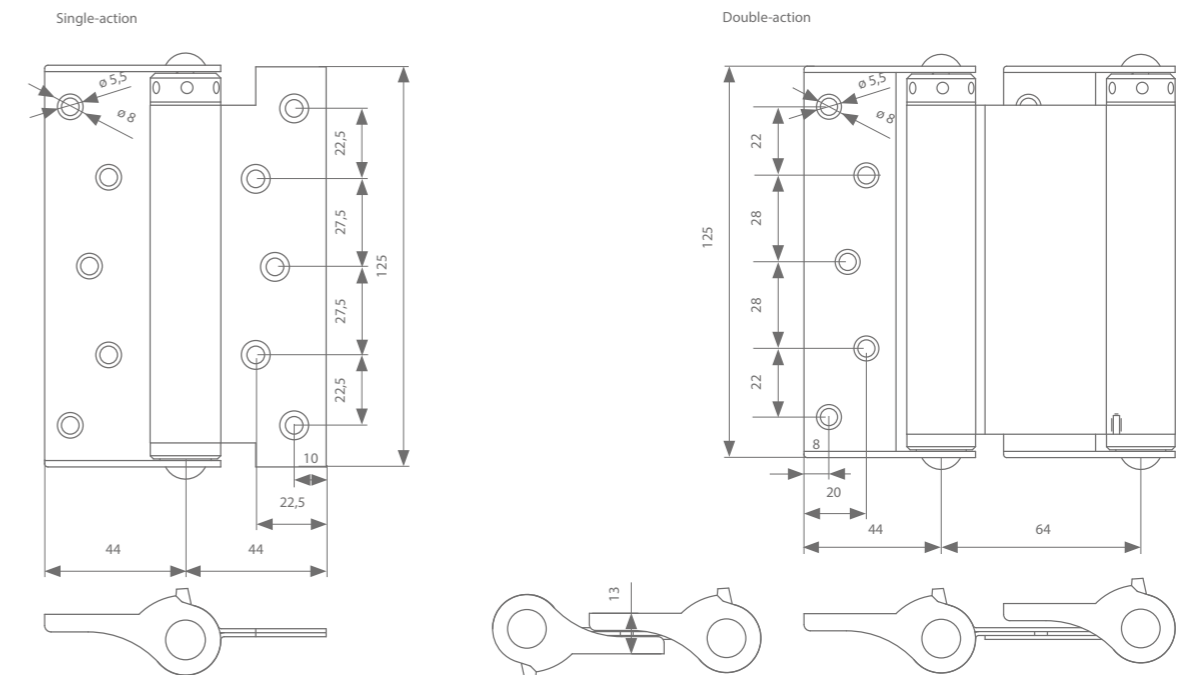


Technical properties

| Size | Single-action 125 mm | Double-action 125 mm |
|----------------|----------------------|----------------------|
| Knuckle | Ø 22 mm | Ø 22 mm |
| Leaf width | 44 mm | 44 mm |
| Leaf thickness | 2 – 5,5 mm | 2 – 5,5 mm |

Packed in boxes of 2.

Technical drawings



spring hinge 6"

Version

Rolled in steel or stainless steel and equipped with a tempered steel spring. Stainless steel springs available upon request. Adjustable spring tension (key not supplied).

Material

Steel or stainless steel

Finish

Steel

- Galvanised steel
- Black powder coated (RAL9005)

Stainless steel

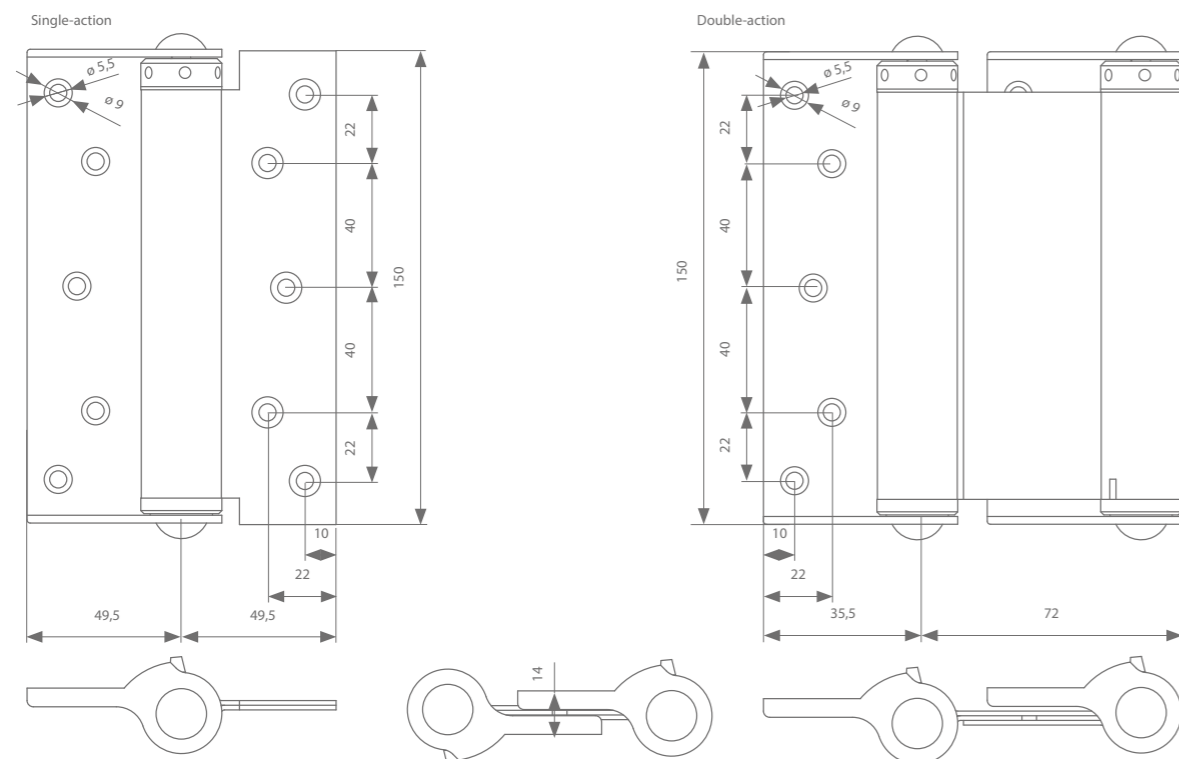


Technical properties

| Size | Single-action 150 mm | Double-action 150 mm |
|----------------|----------------------|----------------------|
| Knuckle | Ø 26 mm | Ø 26 mm |
| Leaf width | 49,5 mm | 49,5 mm |
| Leaf thickness | 2,5 – 6 mm | 2,5 – 6 mm |

Packed in boxes of 2.

Technical drawings



spring hinge 7"

Version

Rolled in steel or stainless steel and equipped with a tempered steel spring. Stainless steel springs available upon request. Adjustable spring tension (key not supplied).

Material

Steel or stainless steel

Finish

Steel

- Galvanised steel
- Black powder coated (RAL9005)

Stainless steel

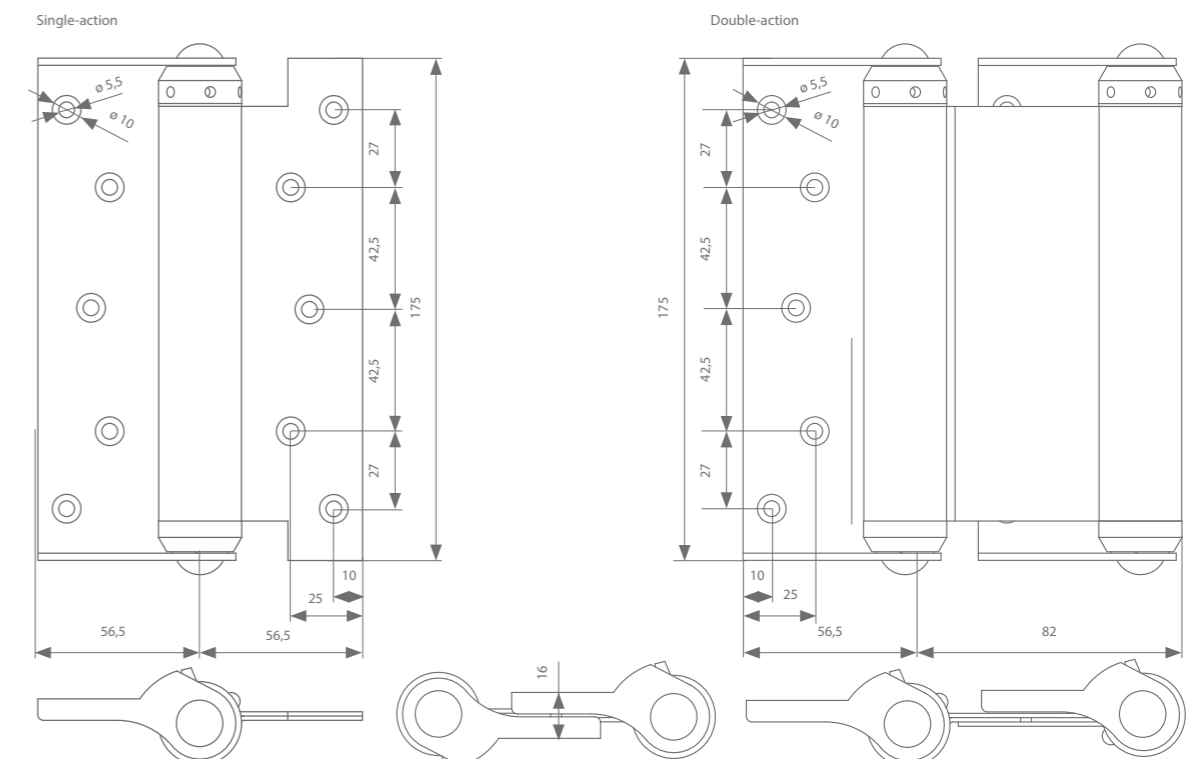


Technical properties

| Size | Single-action 175 mm | Double-action 175 mm |
|----------------|----------------------|----------------------|
| Knuckle | Ø 29 mm | Ø 29 mm |
| Leaf width | 56,5 mm | 56,5 mm |
| Leaf thickness | 2,5 – 7,5 mm | 2,5 – 7,5 mm |

Packed in boxes of 2.

Technical drawings





ACCESSORIES HINGES

Appropriate screws

The screws that are needed for mounting the hinges on wood are also available in the following finishes: F1, RAL std, CU, BR, NI, CF, ensuring a perfect finish.



Universal milling template



ARLU® developed the universal argenta® milling template to quickly and easily make the correct cut-outs for the argenta invisible range and argenta hinges.

A basic set consists of:

- A. 3x black UPVC base plates
- B. 2x black UPVC stop blocks

Additional piece to order:

- C. 3x brushed aluminium insert plates:
80/80 A and/or 100/86 A

Wear rings – height rings

There are various wear rings for the stainless steel hinges and they are available in various finishes.



| Clamped wear rings - Stainless steel hinges | Thickness wear rings | Knuckle | Pin | Leaf thickness |
|---|------------------------------|---------|-------|----------------|
| 80/80A closed | 2 mm | Ø 12 mm | 7 mm | 2,5 mm |
| 89/89A closed | 2,5 mm | Ø 12 mm | 7 mm | 2,5 mm |
| 100/86A open 100/86A open, adjustable | 3 mm, 5 mm | Ø 16 mm | 10 mm | 3 mm |
| Wear rings - Stainless steel hinges | Thickness wear rings | Knuckle | Pin | Leaf thickness |
| 80/80A closed 89/89A closed | 1, 2, 3, 4, 5, 6, 7 and 8 mm | Ø 12 mm | 7 mm | 2,5 mm |
| 89/89A closed with ball-bearing 100/64A cranked 100/86A open 100/86A open, adjustable 100/86A open with ball-bearing ring 100/78A 120/64A cranked 120/86A open | 1, 2, 3, 4, 5, 6, 7 and 8 mm | Ø 16 mm | 10 mm | 3 mm |
| 80/80A closed | 1, 2 and 3 mm | Ø 15 mm | 8 mm | 3,5 mm |

GENERAL INFORMATION

Materials & finish

Materials

- Aluminium: Extruded aluminium profiles AlMgSi 0.5 (according to EN 12020-2 and EN AW-6063)
- Brass: is a mixture of copper and zinc, CuZn
- Stainless steel: is a rust-free alloy of mainly iron, chrome, nickel and carbon
- Steel: is an alloy of iron and carbon
- Zamak: is an alloy of zinc and aluminium, with small amounts of magnesium and copper.

Finish aluminium hinges

- F1: natural colour (E6/EV1-SAA) anodised (20 micron)
- F2: champagne colour (E6/C33) anodised (20 micron)
- RAL std: powder-coated (60-70 micron) in standard RAL colours
- CU: copper-plated
- BR: bronze colour
- NI: nickel-plated
- CF: canon fusil
- CHR: chrome-plated
- CU mat: mat copper-plated
- INL: stainless steel look

for your information:

- CU/BR/NI/...'1' (such as CU1): vase finial
- CU/BR/NI/...'2' (such as CU2): pyramid finial
- 'M' CU/BR/NI/... (such as MCU): Messing (= brass) hinge

Finish stainless steel hinges

- stainless steel brushed: standard finish for stainless steel hinges
- CU: copper-plated
- BR: bronze colour
- iron colour: imitation iron look
- CHR: brilliant chrome
- ALL: alu look (aluminium grey)
- rust brown: dark brown, imitation rust colour
- RAL 9010: pure white
- MAT 9005: mat black
- AS: ancient silver

Finish steel hinges

- CU: copper-plated
- BR: bronze-plated
- tin: country-style finish tin-coloured
- rust: country-style finish rust-coloured

Lexicon

Hinge

This is a two-component part, used for joint movement, one part has the pin (pin) attached to it.

Rising hinges

In ordinary hinges the two different parts at the pin are located right above one another, in rising hinges they are at an angle. Upon turning, the upper part of the hinge moves upwards. If the door is then released when it is open, it will fall shut.

Self-closing hinges argenta® close

The self-closing spring hinge argenta® close is a 'single-action spring hinge'. This hinge has a built-in spring, closing the door to which the hinge is attached to automatically. The argenta® close has an adjustable spring, which makes it possible to adjust the tension. This self-closing spring hinge is placed in the same manner and the same location as an ordinary standard hinge.

Blade thickness

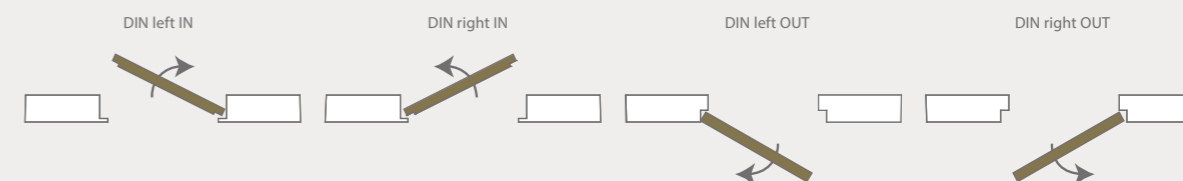
The thickness of one of the parts of the hinge, which should be inserted into the frame or the moving part.

Double-action spring hinges

Double spring hinges or double-action spring hinges have two pin axles, enabling them to turn to both sides. These hinges are used for doors that turn in and out, such as saloon doors. Thanks to the double springs, the doors always return to their closed setting.

Door swing direction

In accordance with DIN and EN; a left door is pulled open towards you with the left hand, the hinges are on the left-hand side (a right door is pulled open with the right hand)





Ter Vlucht 2 +32 (0)51 27 05 00
8850 Ardoorie info@arlu.be
Belgium WWW.ARLU.BE



©L3000046 06/23 English