



DOOR AND WINDOW FITTINGS





ARLU, THE REFERENCE FOR OPENING DOORS

ARLU® is the manufacturer behind the brand names argenta® and rob®. Argenta has been a leading brand in door hardware for over 100 years, but today it is mainly synonymous with invisible door systems.

Minimalist architecture swears by clean lines and a "back to the essence" mentality. In terms of interior doors, this results in integrated door fittings, invisible integrated techniques, door frames and skirting boards for revolving, sliding and pivoting doors.

Argenta stands for a full range of sleek interior solutions.

DOOR AND WINDOW FITTINGS

- 4 window restrictors
- 5 window handles
- 7 door fittings
- 9 door handles
- 10 drawer handles
- 11 door pull handles
- 12 catches
- 15 end parts for catches
- 16 bolts
- 17 latches
- 18 door stops

Materials

Aluminium: Extruded aluminium profiles AlMgSi 0.5
(in accordance with EN 12020-2 and EN AW-6063)

Untreated: untreated aluminium

Cast aluminium: cast aluminium AlSi

Stainless steel: is a rust-free alloys of mainly iron, chrome, nickel and carbon

Brass: is a mixture of copper and zinc, CuZn

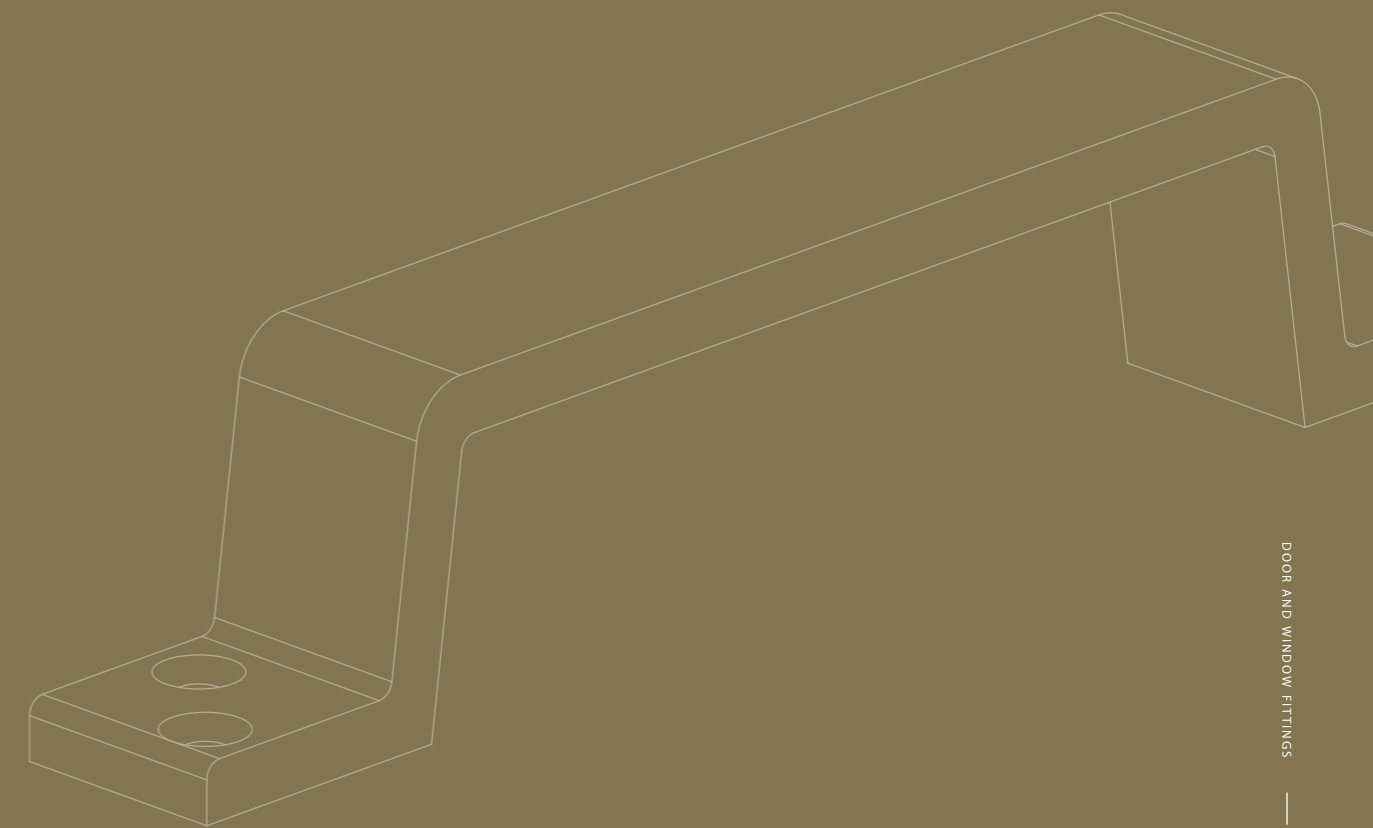
Nylon: polyamide

F1: natural (E6/EV1 - SAA) anodised (20 micron)

RAL: powder-coated (60-70 micron) in RAL colours eg. RAL 9010 (white) ...

DOOR AND WINDOW FITTINGS

ARLU® presents an extensive range of standard door and window fittings. We specialize in door fittings and offer timeless, high-quality and reliable solutions. All standard models in this brochure are available at hardware stores near you. In addition, we welcome you to contact us for special editions.

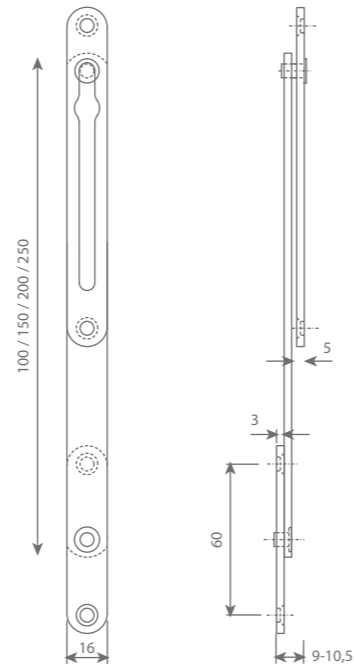


argenta
WINDOW RESTRICTORS

window restrictors for wooden frames type 905



Technical drawing



Technical properties

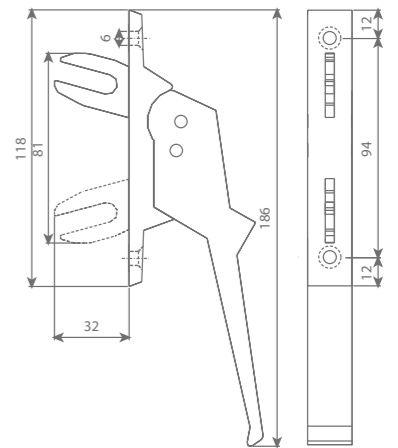
Material	Finishing	Package	Thickness	Version	Reference
Aluminium	F1	per 20 pieces	9 - 10,5 mm	10 cm	00905101
				15 cm	00905102
				20 cm	00905103

argenta
WINDOW HANDLES

window handles with single control type 517 E
window handles with double control type 517 D



Technical drawing



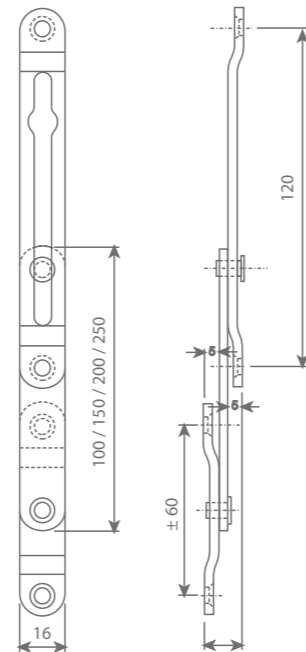
Technical properties

Material	Finishing	Package	Version	Reference
Aluminium	F1	per 10 pieces	E without cylinder lock	00517101
			D without cylinder lock	00517102
			E with cylinder lock	00517191
			D with cylinder lock	00517192

window restrictors for PVC and alu frames type 907



Technical drawing



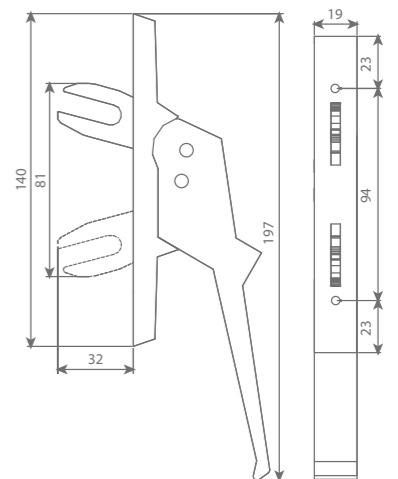
Technical properties

Material	Finishing	Package	Thickness	Version	Reference
Aluminium	F1	per 20 pieces	13 - 14,5 mm	15 cm	09071302
				20 cm	09071303
			15 - 16,5 mm	15 cm	09071502
				20 cm	09071503
			17 - 18,5 mm	15 cm	09071702
				20 cm	09071703
19 - 20,5 mm	20 cm	09071903			
21 - 22,5 mm	10 cm	09072101			

window handles with single control type 518 E
window handles with double control type 518 D



Technical drawing



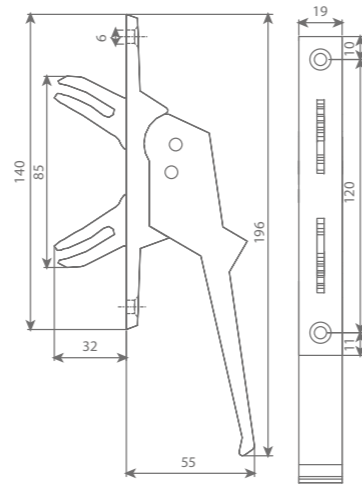
Technical properties

Material	Finishing	Package	Version	Reference
Aluminium	F1	per 10 pieces	E without cylinder lock	00518101
			D without cylinder lock	00518102
			D with cylinder lock	00518192

window handles with double control type 520



Technical drawing



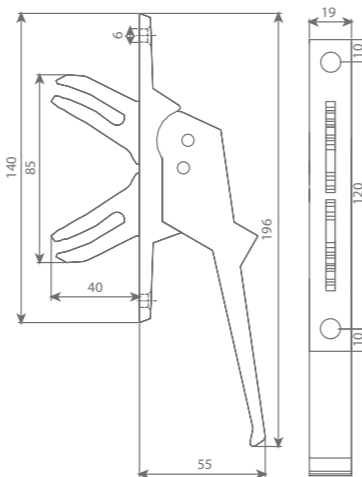
Technical properties

Material	Finishing	Package	Version	Reference
Aluminium	F1	per 10 pieces	with accessories	00520101
			without accessories	00520109
			with cylinder lock	00520199

window handles with double control type 70



Technical drawing



Technical properties

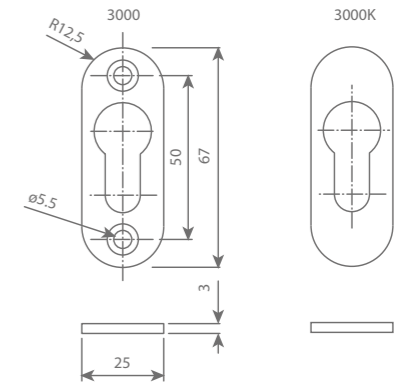
Material	Finishing	Package	Reference
Aluminium	F1	per 10 pieces	00070101

argenta
DOOR FITTINGS

oval escutcheons type 3000



Technical drawing



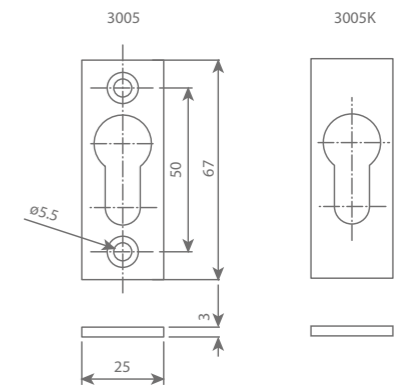
Technical properties

Material	Package	Finishing	Reference
Aluminium	per 50 pieces	BEL 9010	03000631
		FR 9010	03000641
		RAL 9005	03000831
		F1	03000131

rectangular escutcheons type 3005



Technical drawing



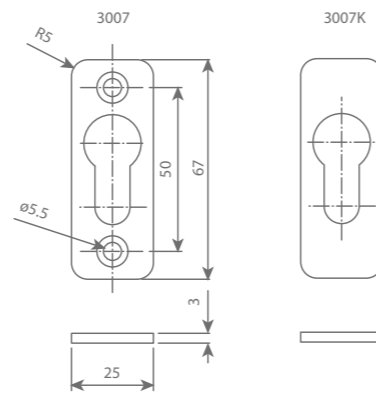
Technical properties

Material	Package	Version	Finishing	Reference
Aluminium	per 50 pieces	visible mounting	untreated	03005011
			F1	03005111
			bronze	03005511
			BEL 9010	03005611
			RAL 9005	03005811
			FR 9010	03025611
			invisible mounting	untreated
		F1		03005131
		bronze		03005531
		BEL 9010		03005631
		RAL 9005		03005831
		FR 9010		03025631

rounded escutcheons type 3007



Technical drawing



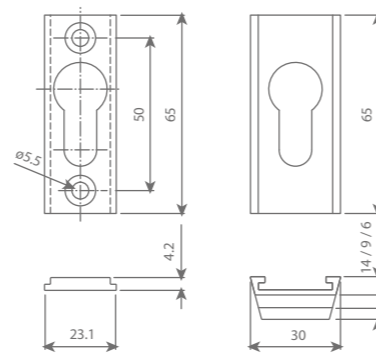
Technical properties

Material	Package	Version	Finishing	Reference
Aluminium	per 50 pieces	visible mounting	F1	03007111
			RAL 9005	03007811
			FR 9010	03027611
		invisible mounting	untreated	03007031
			F1	03007131
			BEL 9010	03007631
			RAL 9005	03007831
			FR 9010	03027631

two-part escutcheons type 3006



Technical drawing



Technical properties

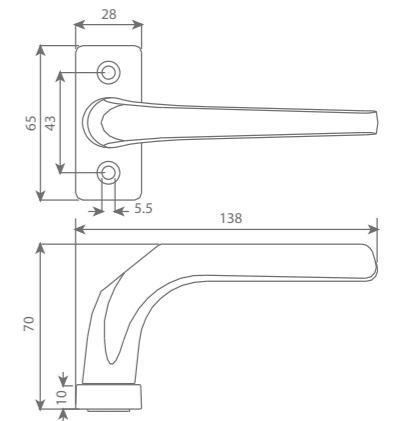
Material	Package	Version	Finishing	Reference
Aluminium	per 12 pieces	6 mm	untreated	03006011
			F1	03006111
			BEL 9010	03006611
			FR 9010	03006631
			RAL 9005	03006811
			9 mm	untreated
		F1		03006112
		BEL 9010		03006612
		14 mm	F1	03006113
			RAL 9005	03006813

argenta
DOOR HANDLES

aluminium door handle type 3



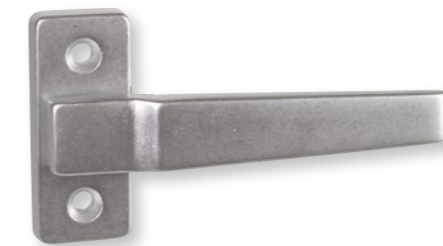
Technical drawing



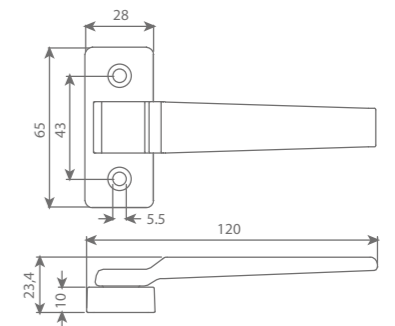
Technical properties

Material	Package	Finishing	Reference
Cast aluminium	per 5 pairs	untreated	00003001
		F1	00003101
		BEL 9010	00003601
		RAL 8019	00003701
		RAL 9005	00003801

aluminium shutter handle type 23



Technical drawing



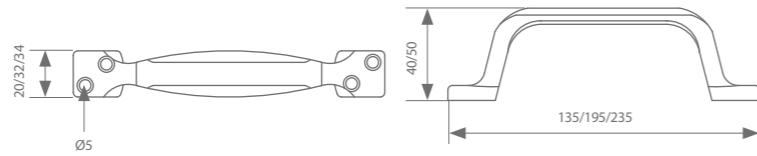
Technical properties

Material	Package	Finishing	Reference
Cast aluminium	per 10 pieces	F1	00023101
		BEL 9010	00023601

argenta DRAWER HANDLES

drawer handles type 135,195,235

Technical drawing

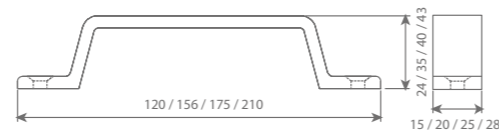
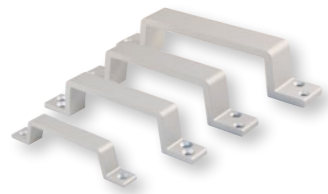


Technical properties

Material	Finishing	Package	Version	Dimensions	Reference
Cast aluminium	F1	per 10 pieces	135	40 x 135 mm	00145101
		per 5 pieces	195	50 x 195 mm	00195101
			235	50 x 235 mm	00235101

drawer handles (straight) type 120,160,162,164

Technical drawing



Technical properties

Material	Finishing	Package	Version	Dimensions	Reference
Aluminium	F1	per 20 pieces	120	24 x 120 x 15 mm	00120101
		per 10 pieces	160	35 x 160 x 20 mm	00160101
			162	40 x 162 x 25 mm	00162101
			164	43 x 164 x 28 mm	00164101

drawer handles (tilting) type 161,163,165

Technical drawing



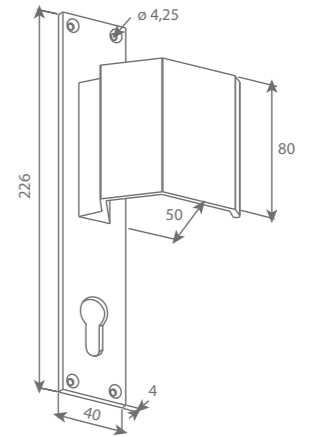
Technical properties

Material	Finishing	Package	Version	Dimensions	Reference
Aluminium	F1	per 10 pieces	161	35 x 156 x 18 mm	00161101
			163	40 x 175 x 25 mm	00163101
			165	43 x 210 x 28 mm	00165101

argenta DOOR PULL HANDLES

door pull handle type 226

Technical drawing

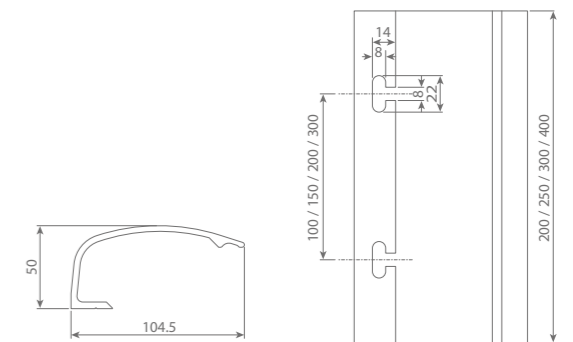


Technical properties

Material	Package	Finishing	Reference
Aluminium	per 1 or 10 pieces	F1	00226101
		blind F1	00226111
		BEL 9010	00226601

door pull handle type 270

Technical drawing



Technical properties

Material	Package	Finishing	Version	Reference
Aluminium	per set (2 pieces)	F1	270-200 mm	02702001
			270-250 mm	02702501
			270-300 mm	02703001
			270-400 mm	02704001
		RAL 9005	270-200 mm	02702008
			270-250 mm	02702508
			270-300 mm	02703008
			270-400 mm	02704008
		FR 9010	270-200 mm	02702016
			270-250 mm	02702516
			270-300 mm	02703016
			270-400 mm	02704016

argenta ALUMINIUM CATCHES

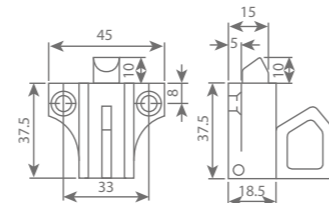
aluminium catch with nylon pin type 900



Technical properties

Material	Package	Finishing	Reference
Aluminium + nylon	per 20 pieces	untreated	00900000
		F1	00900101
		BEL 9010	00900601
		RAL 8019	00900701

Technical drawing



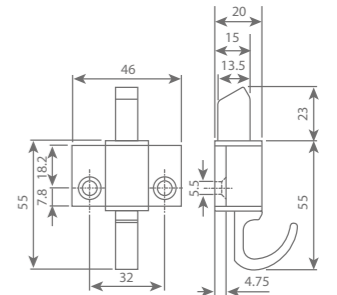
aluminium catch with long aluminium pin type 911



Technical properties

Material	Package	Finishing	Reference
Aluminium	per 20 pieces	natural	00911101
		BEL 9010	00911601

Technical drawing



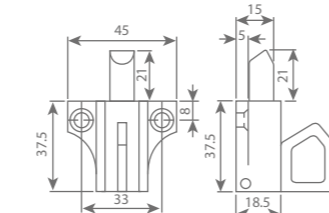
aluminium catch with long nylon pin type 900B



Technical properties

Material	Package	Finishing	Reference
Aluminium + nylon	per 20 pieces	F1	00900102
		BEL 9010	00900602
		RAL 8019	00900702

Technical drawing



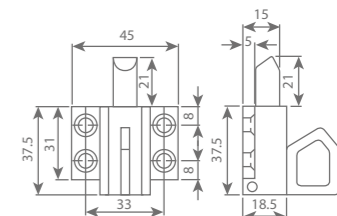
aluminium catch with long nylon pin and 4 screw holes type 920



Technical properties

Material	Package	Finishing	Reference
Aluminium + nylon	per 20 pieces	F1	00920101
		BEL 9010	00920601
		RAL 8019	00920701
		RAL 9005	00920801

Technical drawing



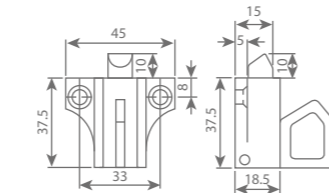
aluminium catch with long copper pin type 900KB



Technical properties

Material	Package	Finishing	Reference
Aluminium + copper	per 20 pieces	F1	00900103

Technical drawing



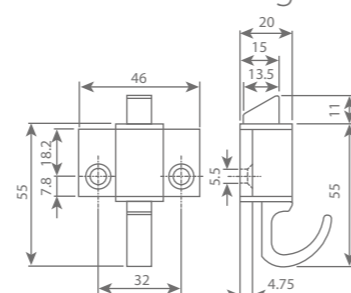
aluminium catch with aluminium pin type 910



Technical properties

Material	Package	Finishing	Reference
Aluminium	per 20 pieces	F1	00910101

Technical drawing



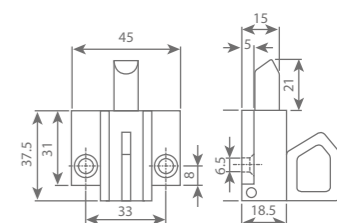
aluminium catch with long nylon pin type 922



Technical properties

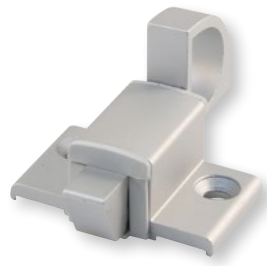
Material	Package	Finishing	Reference
Aluminium + nylon	per 20 pieces	F1	00922101

Technical drawing



argenta
ALUMINIUM CATCHES

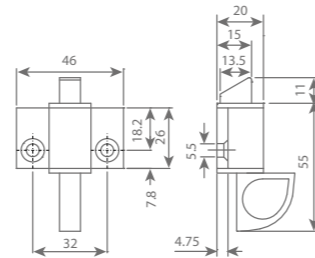
aluminium catch with aluminium pin type 930



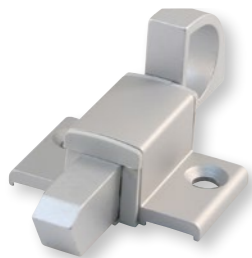
Technical properties

Material	Package	Finishing	Reference
Aluminium	per 20 pieces	natuur	00930101
		BEL 9010	00930601
		RAL 8019	00930701
		RAL 9005	00930801

Technical drawing



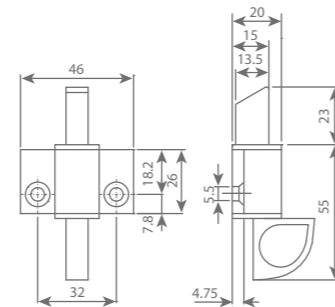
aluminium catch with long aluminium pin type 931



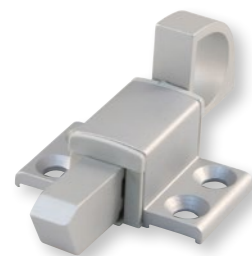
Technical properties

Material	Package	Finishing	Reference
Aluminium	per 20 pieces	F1	00931101

Technical drawing



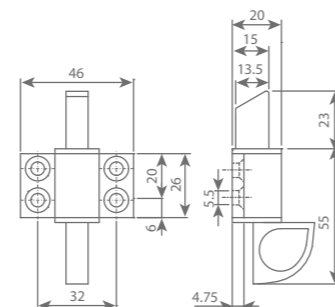
aluminium catch with long aluminium pin and 4 screw holes type 933



Technical properties

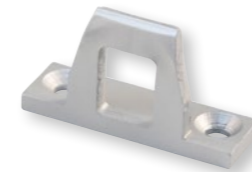
Material	Package	Finishing	Reference
Aluminium	per 20 pieces	F1	00933101
		BEL 9010	00933601

Technical drawing



argenta
END PARTS FOR CATCHES

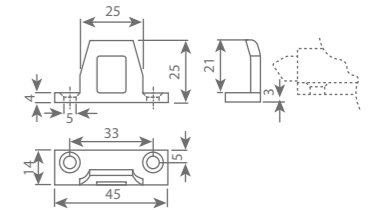
aluminium end part 3 mm lipped type 915



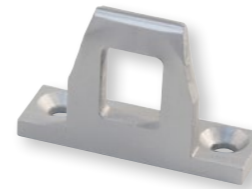
Technical properties

Material	Package	Finishing	Reference
Aluminium	per 20 pieces	natuur	00915101
		BEL 9010	00915601
		RAL 9005	00915801

Technical drawing



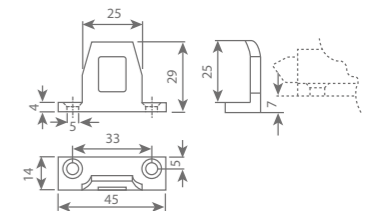
aluminium end part 7 mm lipped type 916



Technical properties

Material	Package	Finishing	Reference
Aluminium	per 20 pieces	untreated	00916001
		F1	00916101
		BEL 9010	00916601

Technical drawing



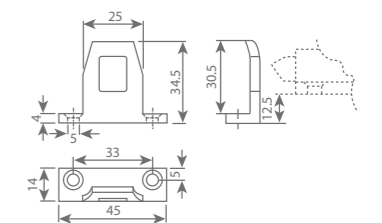
aluminium end part 12.5 mm lipped type 914



Technical properties

Material	Package	Finishing	Reference
Aluminium	per 20 pieces	natuur	00914101
		untreated	00917001
		BEL 9010	00914601
		RAL 8019	00914701

Technical drawing



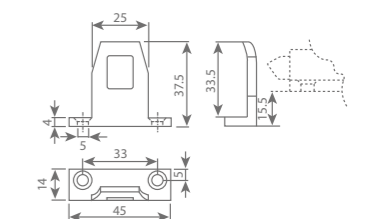
aluminium end part 15.5 mm lipped type 917



Technical properties

Material	Package	Finishing	Reference
Aluminium	per 20 pieces	natuur	00917101
		RAL 8019	00917701
		BEL 9010	00917601
		RAL 9005	00917801

Technical drawing



argenta LATCHES

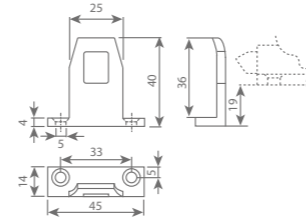
aluminium end part 19 mm lipped type 919



Technical properties

Material	Package	Finishing	Reference
Aluminium	per 20 pieces	natural	00919101
		untreated	00919001
		BEL 9010	00919601
		RAL 8019	00919701

Technical drawing



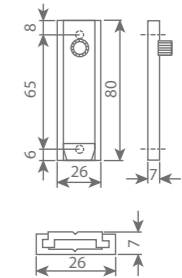
aluminium type 450



Technical properties

Material	Finishing	Package	Reference
Aluminium	F1	per 20 pieces	00450101

Technical drawing



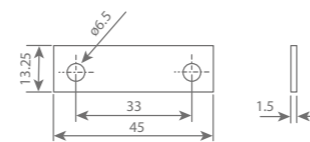
aluminium under plate for end parts type 902/2



Technical properties

Material	Package	Finishing	Reference
Aluminium	per 20 pieces	white	00900002
		black	00900003

Technical drawing



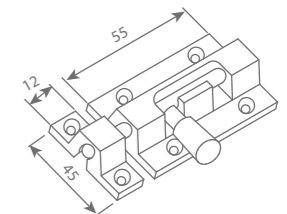
aluminium bolt + end part type 455



Technical properties

Material	Finishing	Package	Reference
Aluminium	F1	per 20 pieces	00455101

Technical drawing



argenta ALUMINIUM BOLTS

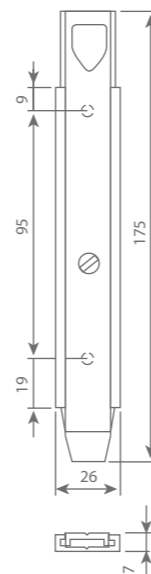
aluminium deadbolt type 460



Technical properties

Material	Finishing	Package	Version	Reference
Aluminium	F1	per 10 of 20 pieces	460	00460101
			460-25cm	00460103
			460-30cm	00460104
			460-40cm	00460106

Technical drawing



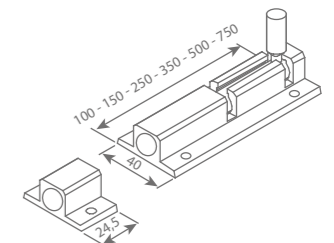
aluminium bolt + end part type 471



Technical properties

Material	Finishing	Package	Version	Reference
Aluminium	F1	per 10 pieces	100 mm	00471101
			150 mm	00471151

Technical drawing



argenta
DOOR STOPS

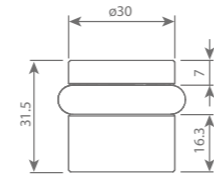
| brass door stop type 495

Technical properties



Material	Finishing	Package	Reference
Brass	stainless steel	per 10 pieces	00049506

Technical drawing



| stainless steel half moon door stop type 496

Technical properties



Material	Finishing	Package	Reference
Stainless steel	brushed stainless steel	per 10 pieces	00049601

Technical drawing

