



PROSLIDE





ARLU, THE REFERENCE FOR OPENING DOORS

ARLU® is the manufacturer behind the brand names argenta® and rob®. Argenta has been a leading brand in door hardware for over 100 years, but today it is mainly synonymous with invisible door systems.

Minimalist architecture swears by clean lines and a “back to the essence” mentality. In terms of interior doors, this results in integrated door fittings, invisible integrated techniques, door frames and skirting boards for revolving, sliding and pivoting doors.

Argenta stands for a full range of sleek interior solutions.

ALL TECHNICAL DRAWINGS ARE SHOWN IN MILLIMETRES AND ARE SUBJECT TO CHANGE BY ARLU.

01

PROSLIDE WOOD

- 6 proslide®
- 18 construction project hardware
- 32 proslide® invisible

02

PROSLIDE GLASS

- 38 proslide®
- 44 proslide® invisible

03

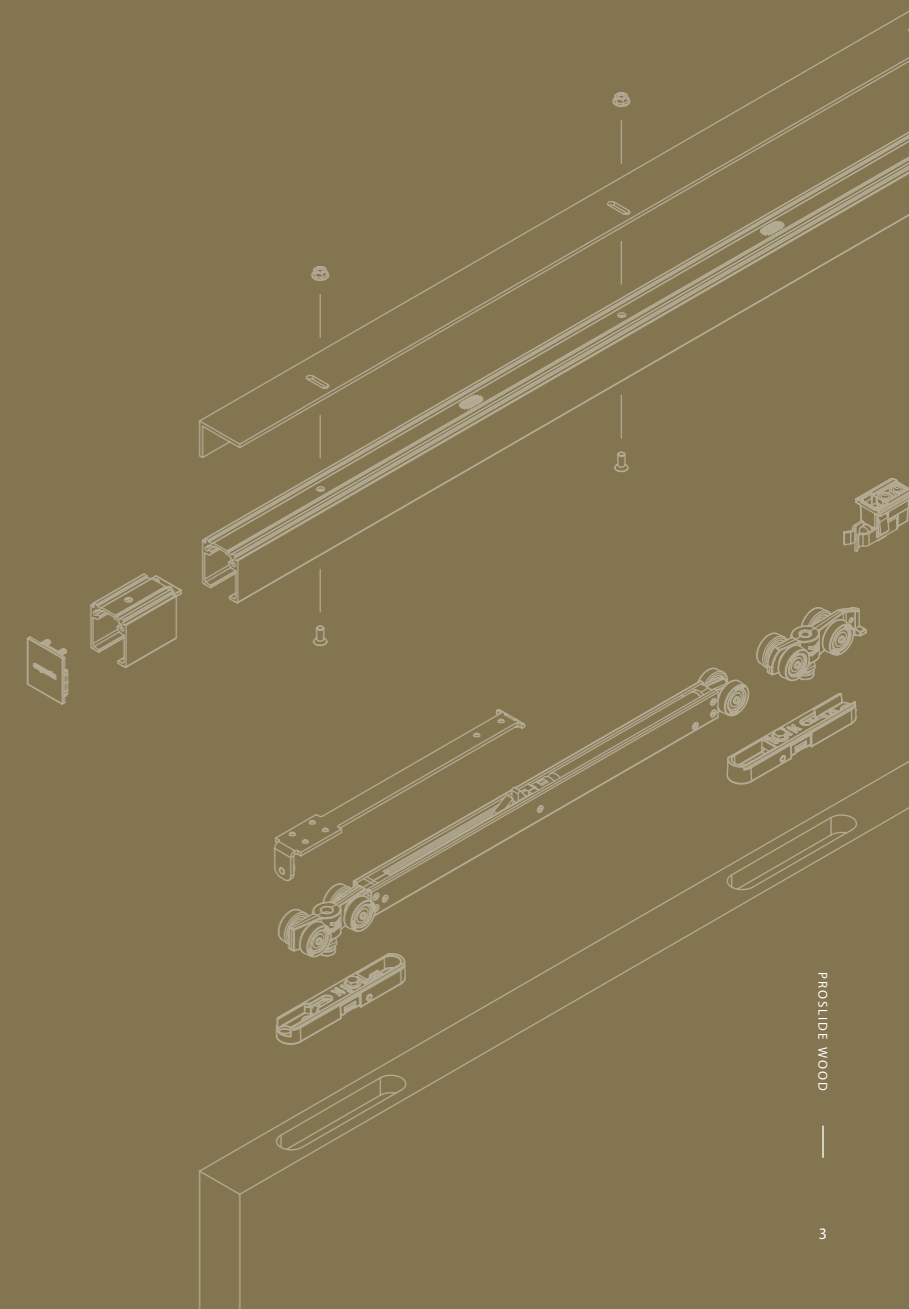
PRODUCT CONFIGURATOR

- 48 proslide® wood 40 / 44 mm
- 50 proslide® wood 50 / 54 mm
- 52 proslide® invisible wood
- 53 proslide® glass
- 54 proslide® invisible glass
- 55 general info

01

PROSLIDE WOOD

ARLU® offers a wide range of high-quality sliding door hardware. The two unique guiding profiles, specially developed for surface-mounted installation, on one hand, and integrated installation on the other, suitable for both residential and non-residential new-build and renovation projects. Combining a guiding rail with the necessary fittings is child's play, as the wear resistant roller systems and stoppers are universally applicable to both types of rails. With a focus on professional and intensive use during the development phase, ARLU's sliding door hardware is the ultimate choice to elevate ergonomics to a higher level in offices, schools, hospitals, the care sector and anywhere else



PROSLIDE WOOD



argenta proslide wood general info

The proslide parts

Running track

- Sturdy track to prevent deformation by lateral forces on the door panel
- Oval serrated & round mounting holes to prevent screws from loosening or moving
- Double chamber: separate chambers for the roller system and the fittings
- Unique roller wheel design means they always run centred along the rail

ESSI module

- Easy (dis)assembly of the Slow-Stop and other fittings without any need to remove the entire profile
- A must for wall-to-wall applications in both new-build and renovation projects
- Fixed 50 mm-long module

Roller assemblies & stoppers

STANDARD STOP

- The roller assembly clicks into place in the Standard Stop. The clamping force can be set as required.

SLOWSTOP

- When opening and/or closing, the Slow-Stop slows down the door so it gently moves towards its end point. The tiltable end ensures easy (dis)assembly in the proslide® rail when using an ESSI® module.

Mounting systems

STANDARD-FIX

- Easy surface-mounted installation
- Budget-friendly

MANUAL-FIX

- Invisible integrated installation

AUTO-FIX

- Invisible
- Easy time-saving installation without tools

Floor guiding system

- Easy installation
- UPVC cap for quiet movement with no slack in the door

Maximum weight = 100 kg

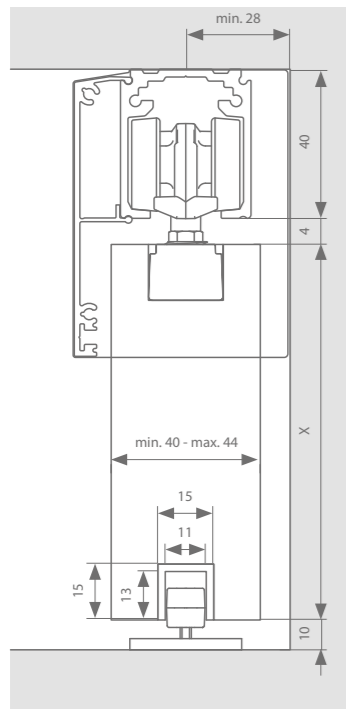


argenta
PROSLIDE

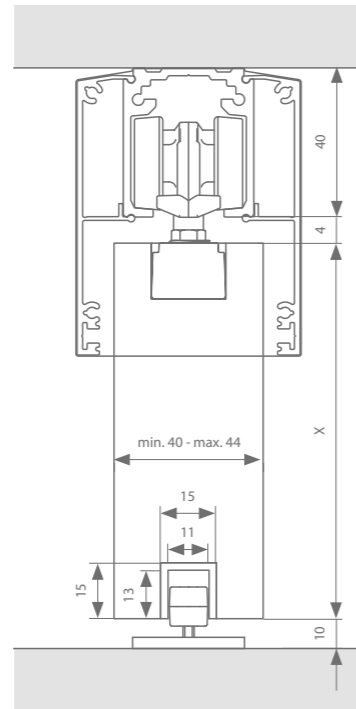
Proslide® is a professional surface-mounted sliding door hardware system for both wall and ceiling applications. A wide variety of different fittings is available, all of the same impeccable quality, from wear-resistant roller assemblies to a high-quality aluminium running track.

Technical drawings

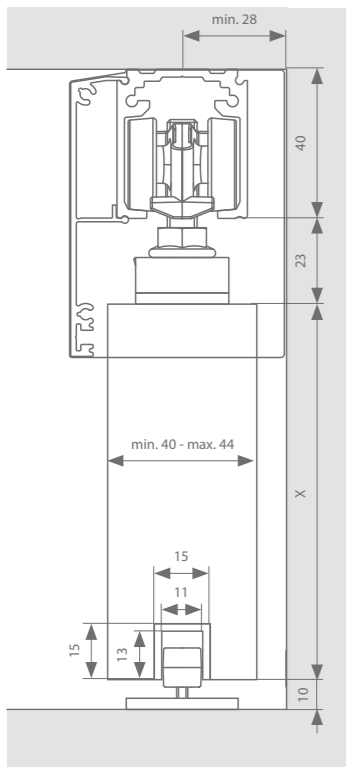
Manual- or auto-fix - Version A



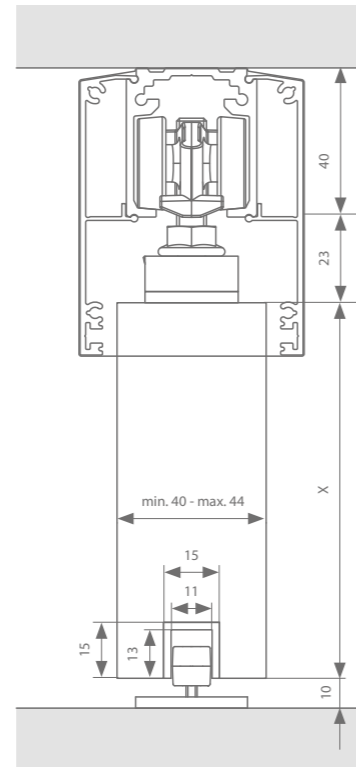
Manual- or auto-fix - Version B



Standard-fix - Version A



Standard-fix - Version B



Profiles

	Max. door width	Length	Reference F1	Reference RAL 9005
Running track	1000 mm	2000 mm	22514012	22514112
	1500 mm	3000 mm	22514013	22514113
	2000 mm	4000 mm	22514014	22514114
	3000 mm	6000 mm	22514016	22514116
Cover profile (version A)	1000 mm	2000 mm	22515112	22515212
	1500 mm	3000 mm	22515113	22515213
	2000 mm	4000 mm	22515114	22515214
	3000 mm	6000 mm	22515116	22515216
+ set of sealing pieces			22512701	22512901
Cover profile (version B)	1000 mm	2000 mm	(x 2) 22515112	(x 2) 22515212
	1500 mm	3000 mm	(x 2) 22515113	(x 2) 22515213
	2000 mm	4000 mm	(x 2) 22515114	(x 2) 22515214
	3000 mm	6000 mm	(x 2) 22515116	(x 2) 22515216
+ set of sealing pieces			22512702	22512902
Bottom guide track (option)	1000 mm	1000 mm	22516101	
	2000 mm	2000 mm	22516102	
	3000 mm	3000 mm	22516103	
	6000 mm	6000 mm	22516106	
ESSI®-module (option)	1 ESSI module is recommended per Slow-Stop		22599990	22599996

Fitting set selection

	Standard-stop	Slowstop	Slowstop small	Reference F1	Reference RAL 9005
Standard-fix	x 2			22513001	
	x 1	x 1		22512402	
		x 2		22513002	
Manual-fix*	x 2			22513003	
	x 1	x 1		22512403	22512413
		x 2		22513004	22513014
			x 1	22199812	
Auto-fix*	x 2			22513005	
	x 1	x 1		22512404	22512414
		x 2		22513006	22513016
			x 1	22199813	
Side-fix			x 1	22199814	

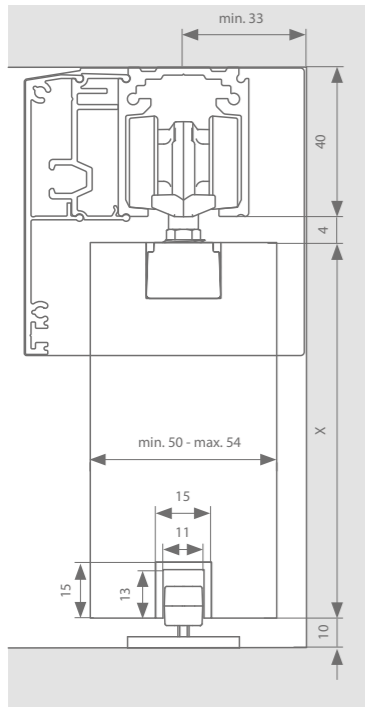
*Option integrated door profile

	Max. door width	Length	Reference F1	Reference RAL 9005
Integrated door profile	1000 mm	1000 mm	22516201	
	2000 mm	2000 mm	22516202	
	6000 mm	6000 mm	22516206	
+ set of sealing pieces, black			22599993	
+ set of sealing pieces, white			22599994	
+ set of sealing pieces, grey			22599995	

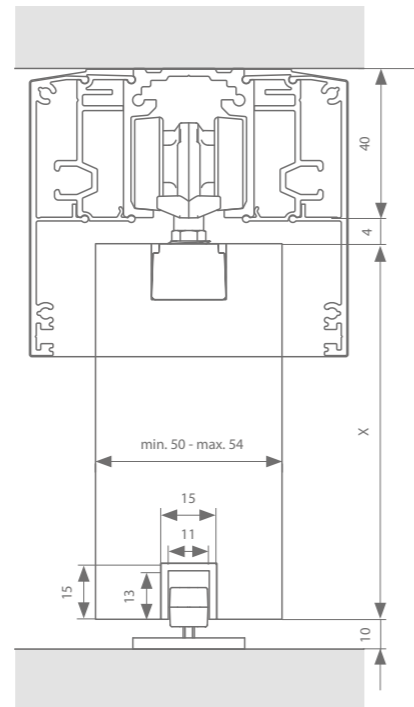
See p.55 for minimal door width. See p. 56-57 for all parts.

Technical drawings

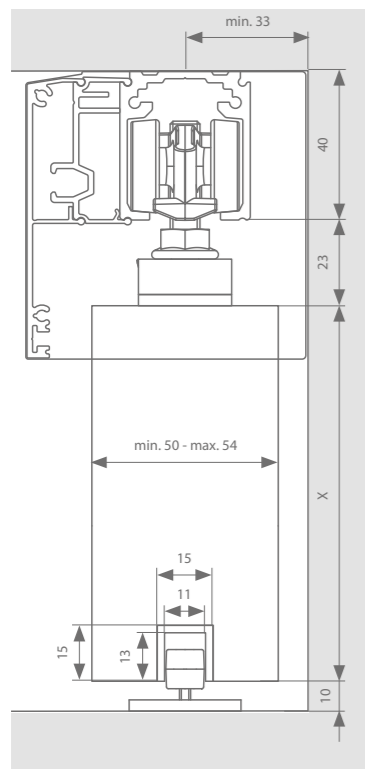
Manual- or auto-fix - Version A



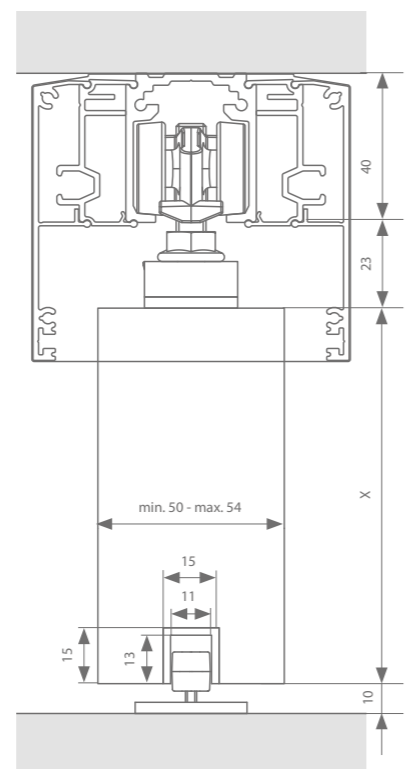
Manual- or auto-fix - Version B



Standard-fix - Version A



Standard-fix - Version B



Profiles

	Max. door width	Length	Reference F1	Reference RAL 9005
Running track	1000 mm	2000 mm	22514012	22514112
	1500 mm	3000 mm	22514013	22514113
	2000 mm	4000 mm	22514014	22514114
	3000 mm	6000 mm	22514016	22514116
Packing: bracket (50 mm)	Required every 300 mm		22099983	
	1000 mm	2000 mm	22519112	
	1500 mm	3000 mm	22519113	
	2000 mm	4000 mm	22519114	
Packing: profile	3000 mm	6000 mm	22519116	
	1000 mm	2000 mm	22515112	22515212
	1500 mm	3000 mm	22515113	22515213
	2000 mm	4000 mm	22515114	22515214
Cover profile (version A)	3000 mm	6000 mm	22515116	22515216
			22512703	22512903
			(x 2) 22515112	(x 2) 22520212
			(x 2) 22515113	(x 2) 22520213
Cover profile (version B)			(x 2) 22515114	(x 2) 22520214
			(x 2) 22515116	(x 2) 22520216
			22512704	22512904
			22516101	
Bottom guide track (option)	1000 mm	1000 mm	22516101	
	2000 mm	2000 mm	22516102	
	3000 mm	3000 mm	22516103	
	6000 mm	6000 mm	22516106	
ESSI®-module (option)	1 ESSI module is recommended per Slow-Stop		22599990	22599996

Fitting set selection

	Standard-stop	Slowstop	Slowstop small	Reference F1	Reference RAL 9005
Standard-fix	x 2			22513001	
	x 1	x 1		22512402	
		x 2		22513002	
Manual-fix*	x 2			22513003	
	x 1	x 1		22512403	22512413
		x 2		22513004	22513014
			x 1	22199812	
Auto-fix*	x 2			22513005	
	x 1	x 1		22512404	22512414
		x 2		22513006	22513016
			x 1	22199813	
Side-fix			x 1	22199814	

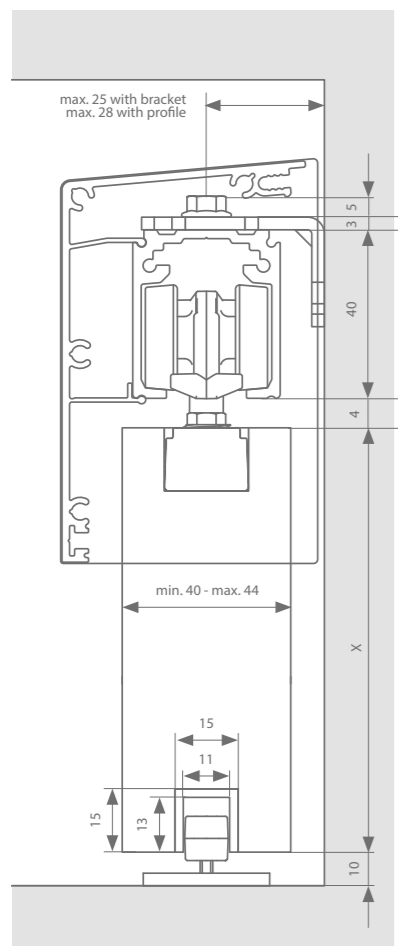
*Option integrated door profile

	Max. door width	Length	Reference F1	Reference RAL 9005
Integrated door profile	1000 mm	1000 mm	22516201	
	2000 mm	2000 mm	22516202	
	6000 mm	6000 mm	22516206	
+ set of sealing pieces, black			22599993	
+ set of sealing pieces, white			22599994	
+ set of sealing pieces, grey			22599995	

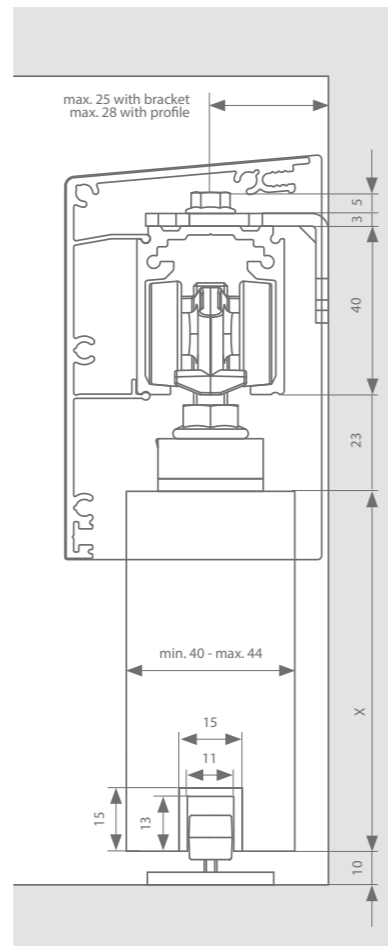
See p.55 for minimal door width. See p. 56-57 for all parts.

Technical drawings

Manual- or auto-fix



Standard-fix



Profiles

	Max. door width	Length	Reference F1	Reference RAL 9005
Running track	1000 mm	2000 mm	22514012	22514112
	1500 mm	3000 mm	22514013	22514113
	2000 mm	4000 mm	22514014	22514114
	3000 mm	6000 mm	22514016	22514116
Wall mounting: bracket (x20) + bolts and nuts			22512101	
Wall mounting: profile	1000 mm	2000 mm	22512004	22512012
	1500 mm	3000 mm	22512001	22512013
	2000 mm	4000 mm	22512002	22512014
+ bolts and nuts (x 20)	3000 mm	6000 mm	22512003	22512016
			22512103	
Cover profile	1000 mm	2000 mm	22520112	22520212
	1500 mm	3000 mm	22520113	22520213
	2000 mm	4000 mm	22520114	22520214
	3000 mm	6000 mm	22520116	22520216
+ set of sealing pieces			22512711	22512813
Bottom guide track (option)	1000 mm	1000 mm	22516101	
	2000 mm	2000 mm	22516102	
	3000 mm	3000 mm	22516103	
	6000 mm	6000 mm	22516106	
ESSI®-module (option)	1 x per Slow-Stop	50 mm	22599990	22599996

Fitting set selection

	Standard-stop	Slowstop	Slowstop small	Reference F1	Reference RAL 9005
Standard-fix	x 2			22513001	
	x 1	x 1		22512402	
		x 2		22513002	
Manual-fix*	x 2			22513003	
	x 1	x 1		22512403	22512413
		x 2		22513004	22513014
			x 1	22199812	
Auto-fix*	x 2			22513005	
	x 1	x 1		22512404	22512414
		x 2		22513006	22513016
			x 1	22199813	
Side-fix			x 1	22199814	

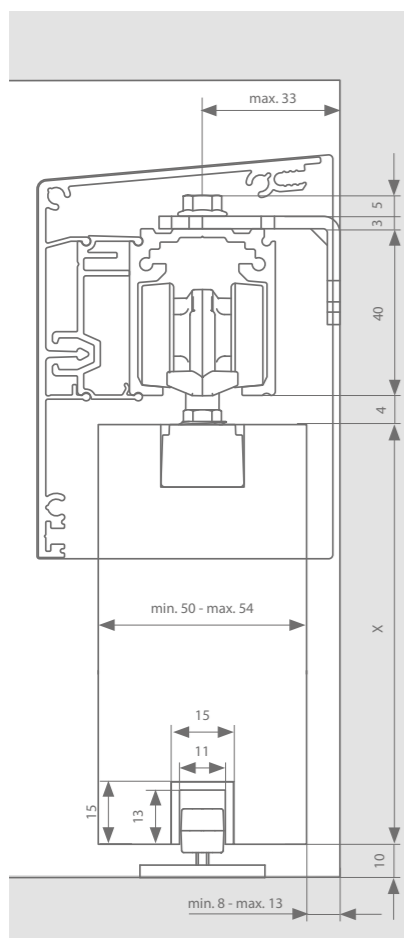
*Option integrated door profile

	Max. door width	Length	Reference F1	Reference RAL 9005
Integrated door profile	1000 mm	1000 mm	22516201	
	2000 mm	2000 mm	22516202	
	6000 mm	6000 mm	22516206	
+ set of sealing pieces, black			22599993	
+ set of sealing pieces, white			22599994	
+ set of sealing pieces, grey			22599995	

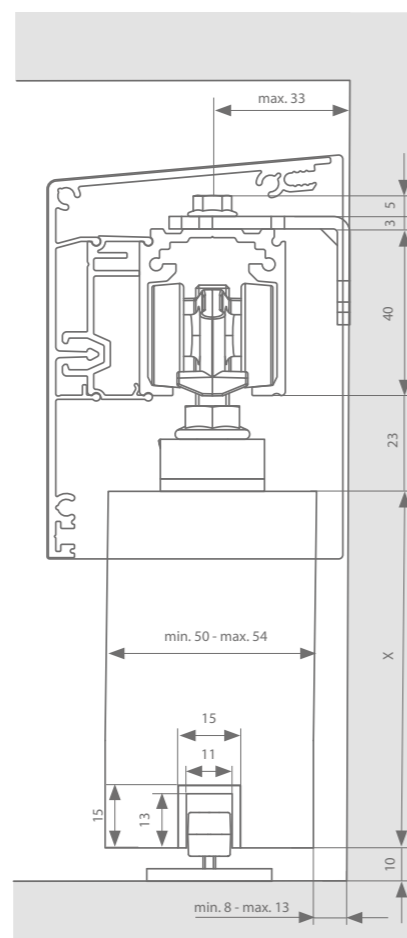
See p.55 for minimal door width. See p. 56-57 for all parts.

Technical drawings

Manual- or auto-fix



Standard-fix



Profiles

	Max. door width	Length	Reference F1	Reference RAL 9005
Running track	1000 mm	2000 mm	22514012	22514112
	1500 mm	3000 mm	22514013	22514113
	2000 mm	4000 mm	22514014	22514114
	3000 mm	6000 mm	22514016	22514116
Packing: bracket (50 mm)	Required every 300 mm		22099983	22099983
Packing: profile	1000 mm	2000 mm	22519112	22519112
	1500 mm	3000 mm	22519113	22519113
	2000 mm	4000 mm	22519114	22519114
	3000 mm	6000 mm	22519116	22519116
Wall mounting: bracket (x 20) + Bolt and nut (x 20)			22012002	
Cover profile	1000 mm	2000 mm	22521112	22521212
	1500 mm	3000 mm	22521113	22521213
	2000 mm	4000 mm	22521114	22521214
	3000 mm	6000 mm	22521116	22521216
+ set of sealing pieces			22512712	22512911
Bottom guide track (option)	1000 mm	1000 mm	22516101	22516101
	2000 mm	2000 mm	22516102	22516102
	3000 mm	3000 mm	22516103	22516103
	6000 mm	6000 mm	22516106	22516106
ESSI®-module (option)	1 ESSI module is recommended per Slow-Stop		22599990	22599996

Fitting set selection

	Standard-stop	Slowstop	Slowstop small	Reference F1	Reference RAL 9005
Standard-fix	x 2			22513001	
	x 1	x 1		22512402	
		x 2		22513002	
Manual-fix*	x 2			22513003	
	x 1	x 1		22512403	22512413
		x 2		22513004	22513014
			x 1	22199812	
Auto-fix*	x 2			22513005	
	x 1	x 1		22512404	22512414
		x 2		22513006	22513016
			x 1	22199813	
Side-fix			x 1	22199814	

*Option integrated door profile

	Max. door width	Length	Reference F1	Reference RAL 9005
Integrated door profile	1000 mm	1000 mm	22516201	
	2000 mm	2000 mm	22516202	
	6000 mm	6000 mm	22516206	
+ set of sealing pieces, black			22599993	
+ set of sealing pieces, white			22599994	
+ set of sealing pieces, grey			22599995	

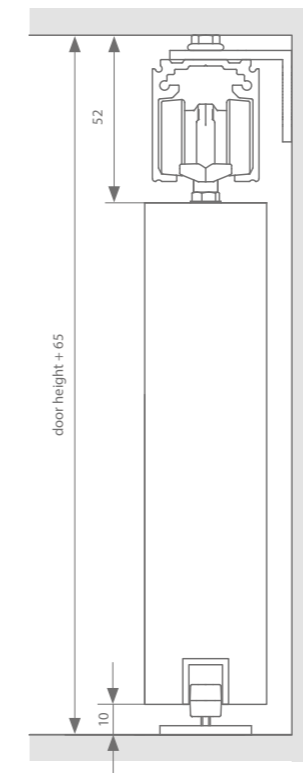
See p.55 for minimal door width. See p. 56-57 for all parts.



argenta PROSLIDE KITS

Technical drawings

Manual- or auto-fix

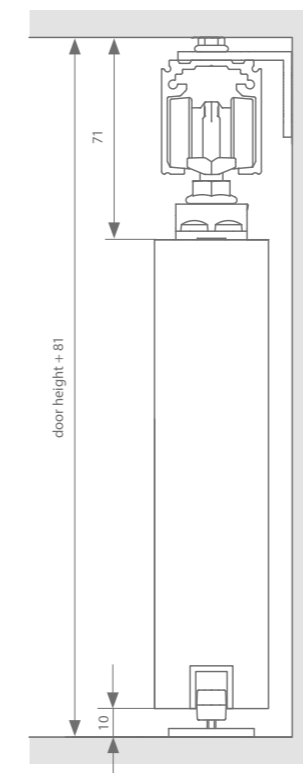


A complete set contains the following parts.

- Running track 2000,3000 or 4000 mm
- Wall profile 2000,3000 or 4000 mm
- The gear is provided with:
 - 2 x auto-fix or manual-fix or standard-fix.
 - 1 roller, 1 soft close & 1 stop
OR 2 soft close
- Bottom guide track
- Bottom guide
- The corresponding screws

Auto-fix F1 set	Max. door width	Length	Reference
F1 with soft close	1000 mm	2000 mm	22615222
F1 with soft close	1500 mm	3000 mm	22615223
F1 with soft close	2000 mm	4000 mm	22615225
F1 with double soft close	1000 mm	2000 mm	22615226
F1 with double soft close	1500 mm	3000 mm	22615227
F1 with double soft close	2000 mm	4000 mm	22615228

Standard-fix



Auto-fix RAL 9005 set	Max. door width	Length	Reference
Black with soft close	1000 mm	2000 mm	22615220
Black with soft close	1500 mm	3000 mm	22615221
Black with soft close	2000 mm	4000 mm	22615224
Black with double soft close	1000 mm	2000 mm	22615229
Black with double soft close	1500 mm	3000 mm	22615230
Black with double soft close	2000 mm	4000 mm	22615231

Manual-fix F1 set	Max. door width	Length	Reference
F1 with soft close	1000 mm	2000 mm	22714012

Standard-fix F1 set	Max. door width	Length	Reference
F1 with soft close	1000 mm	2000 mm	22512415



argenta
**HARDWARE FOR
CONSTRUCTION PROJECTS**

Argenta® proslide® is much more versatile than it appears at first sight. Dynamic connections between multiple doors allow for a wide range of creative sliding door options. For example, proslide for single sliding doors can be expanded to create various applications such as telescopic doors, symmetrical doors, simultaneous doors, parallel doors, telescopic symmetrical doors and much more.

Technical drawings

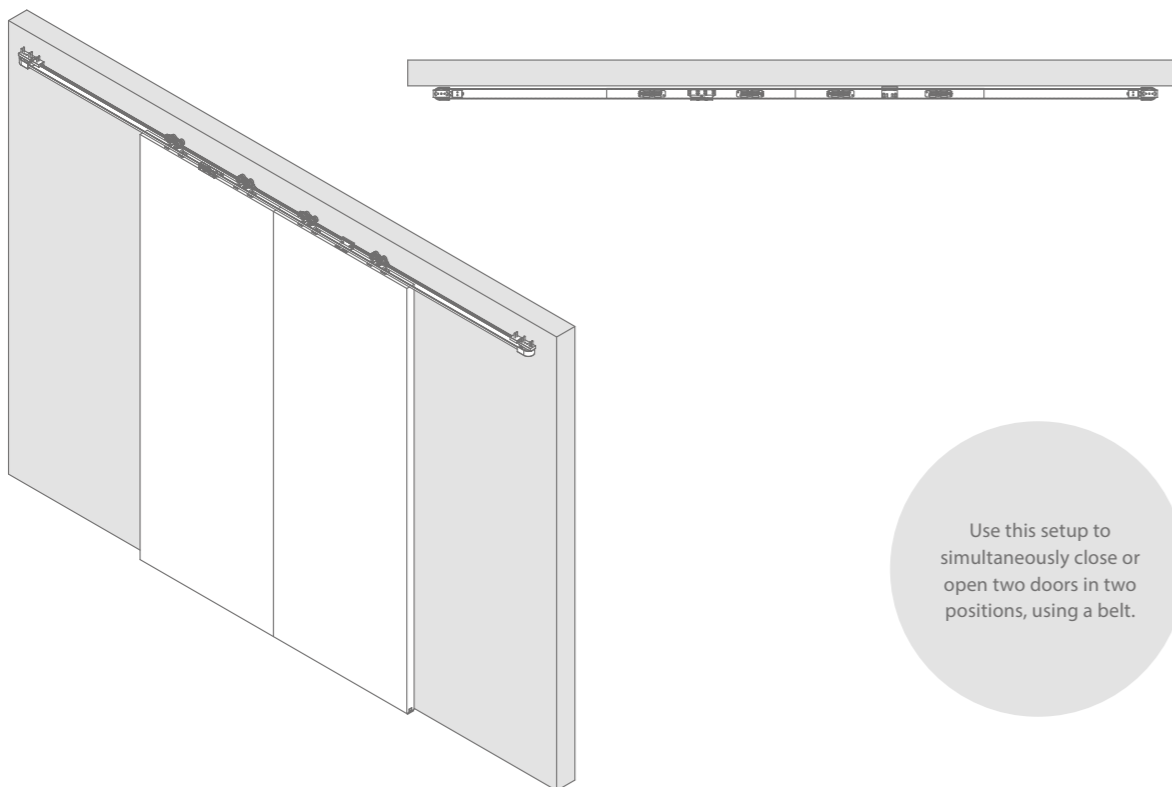
side view, open

top view, open



side view, closed

top view, closed



Use this setup to simultaneously close or open two doors in two positions, using a belt.

Necessities

	Max. door width	Length	Reference F1	Reference RAL 9005
Running track	500 mm	2000 mm	22514012	22514112
	750 mm	3000 mm	22514013	22514113
	1000 mm	4000 mm	22514014	22514114
	1250 mm	6000 mm	22514016	22514116
Symmetrical 2D-set (only with standard-fix, incl.)			22099973	
Toothed belt		5000 mm	22099977	
		10 000 mm	22099978	
		20 000 mm	22099979	
		50 000 mm	22099980	

Belt length calculation

For a two-door symmetrical proslide® setup, one belt length is required:
 Belt length = ((4 x door width A) + (4 x door width B)) - 210 mm

Options

	Max. door width	Length	Reference
Door thickness profile for back cover	500 mm	2000 mm	22519112
	750 mm	3000 mm	22519113
	1000 mm	4000 mm	22519114
	1250 mm	6000 mm	22519116
Cover profile	500 mm	2000 mm	22518112
	750 mm	3000 mm	22518113
	1000 mm	4000 mm	22518114
	1250 mm	6000 mm	22518116
Bottom guide track	1000 mm	1000 mm	(2 x) 22516101
	2000 mm	2000 mm	(2 x) 22516102
	3000 mm	3000 mm	(2 x) 22516103
	6000 mm	6000 mm	(2 x) 22516106
ESSI®-module		50 mm	(2 x) 22599990

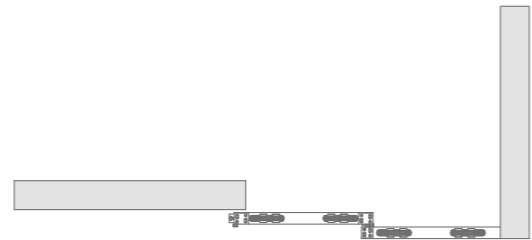
See p. 56-57 for all parts.

Technical drawings

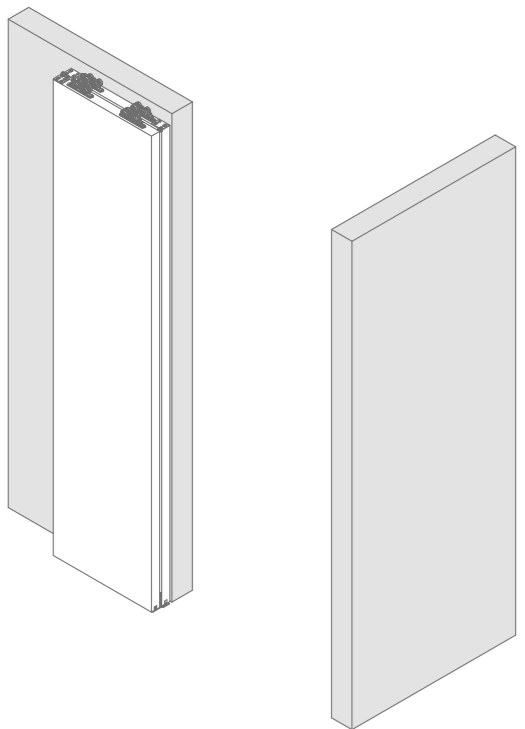
top view, open



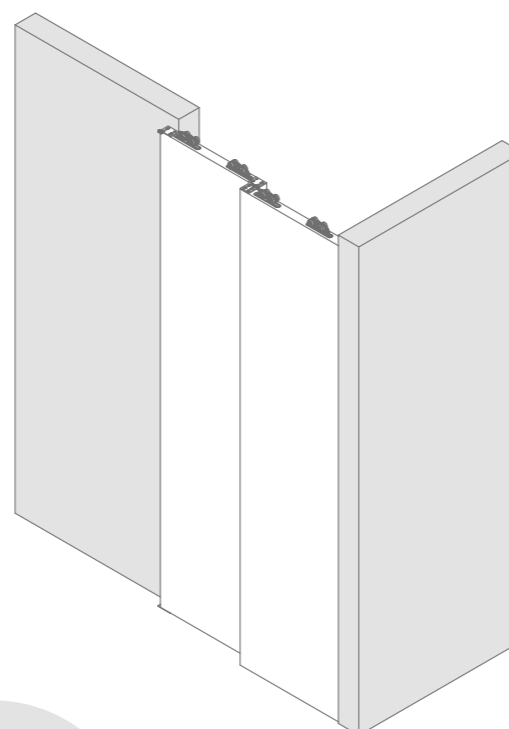
top view, closed



side view, open



side view, closed



Use this setup to close wide door openings. The opening is closed in two sections via carriers on the door leaves.

Necessities

	Max. door width	Length	Reference F1	Reference RAL 9005
Running track	667 mm	2000 mm	(2 x) 22514012	(2 x) 22514112
	1000 mm	3000 mm	(2 x) 22514013	(2 x) 22514113
	1334 mm	4000 mm	(2 x) 22514014	(2 x) 22514114
	1500 mm	6000 mm	(2 x) 22514016	(2 x) 22514116
Parallel 2D-set	22010210			

	Standard-stop	Slowstop	Slowstop small	Reference F1	Reference Black
Standard-fix	x 2			(2 x) 22513001	
	x 1	x 1		(2 x) 22512402	
Manual-fix		x 2		(2 x) 22513002	
	x 2			(2 x) 22513003	
	x 1	x 1		(2 x) 22512403	(2 x) 22512413
		x 2		(2 x) 22513004	(2 x) 22513014
Auto-fix			x 1	(2 x) 22199812	
	x 2			(2 x) 22513005	
	x 1	x 1		(2 x) 22512404	(2 x) 22512414
		x 2		(2 x) 22513006	(2 x) 22513016
Side-fix			x 1	(2 x) 22199813	
			x 1	(2 x) 22199814	

Options

	Max. door width	Length	Reference F1	Reference RAL 9005
Bottom guide track	1000 mm	1000 mm	(2 x) 22516101	
	2000 mm	2000 mm	(2 x) 22516102	
	3000 mm	3000 mm	(2 x) 22516103	
	6000 mm	6000 mm	(2 x) 22516106	
ESSI®-module		50 mm	(2 x) 22599990	(2 x) 22599996
Cover profile	667 mm	2000 mm	22515112	
	1000 mm	3000 mm	22515113	
	1334 mm	4000 mm	22515114	
	1500 mm	6000 mm	22515116	

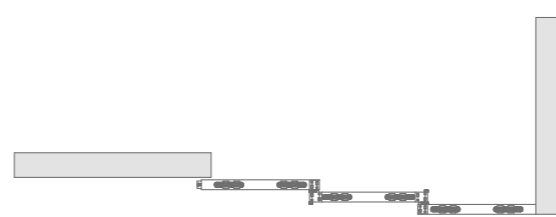
See p. 56-57 for all parts.

Technical drawings

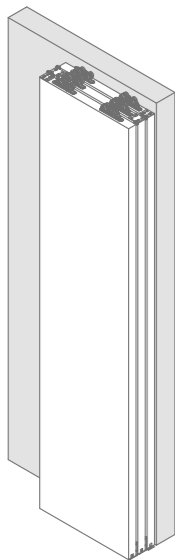
top view, open



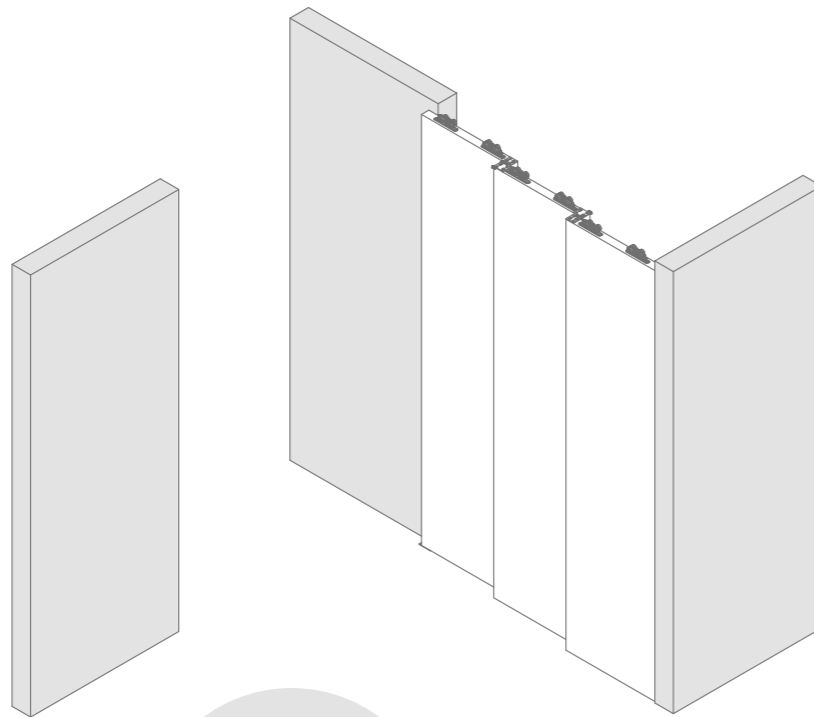
top view, closed



side view, open



side view, closed



Use this setup to close wide door openings. The opening is closed in three sections via carriers on the door leaves.

Necessities

	Max. door width	Length	Reference F1	Reference RAL 9005
Running track	500 mm	2000 mm	(3 x) 22514012	(3 x) 22514112
	750 mm	3000 mm	(3 x) 22514013	(3 x) 22514113
	1000 mm	4000 mm	(3 x) 22514014	(3 x) 22514114
	2000 mm	6000 mm	(3 x) 22514016	(3 x) 22514116
Parallel 3D-set	22010211			

	Standard-stop	Slowstop	Slowstop small	Reference F1	Reference Black
Standard-fix	x 2			(3 x) 22513001	
	x 1	x 1		(3 x) 22512402	
		x 2		(3 x) 22513002	
Manual-fix	x 2			(3 x) 22513003	
	x 1	x 1		(3 x) 22512403	(3 x) 22512413
		x 2		(3 x) 22513004	(3 x) 22513014
			x 1	(3 x) 22199812	
Auto-fix	x 2			(3 x) 22513005	
	x 1	x 1		(3 x) 22512404	(3 x) 22512414
		x 2		(3 x) 22513006	(3 x) 22513016
			x 1	(3 x) 22199813	
Side-fix			x 1	(3 x) 22199814	

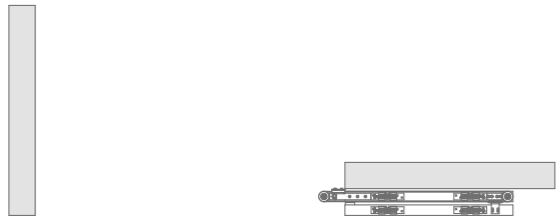
Options

	Max. door width	Length	Reference F1	Reference Black
Bottom guide track	1000 mm	1000 mm	(3 x) 22516101	
	2000 mm	2000 mm	(3 x) 22516102	
	3000 mm	3000 mm	(3 x) 22516103	
	6000 mm	6000 mm	(3 x) 22516106	
ESSI®-module		50 mm	(3 x) 22599990	(2 x) 22599996
Cover profile	500 mm	2000 mm	22515112	
	750 mm	3000 mm	22515113	
	1000 mm	4000 mm	22515114	
	2000 mm	6000 mm	22515116	

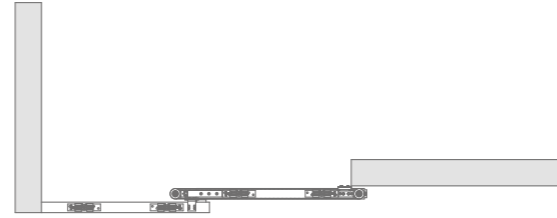
See p. 56-57 for all parts.

Technical drawings

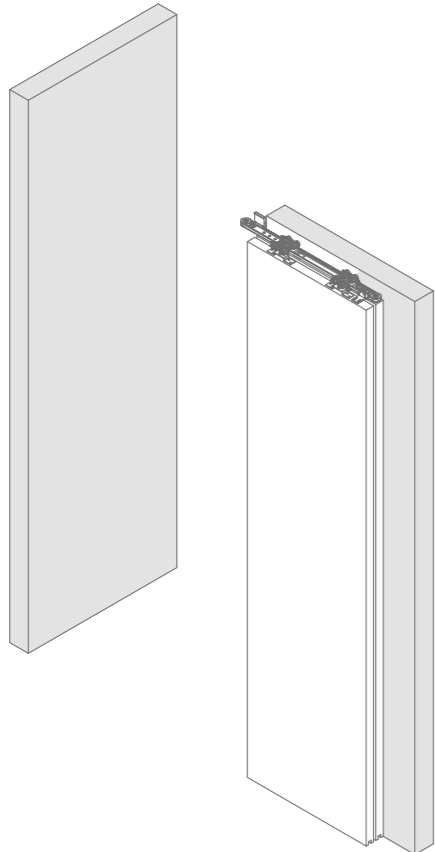
top view, open



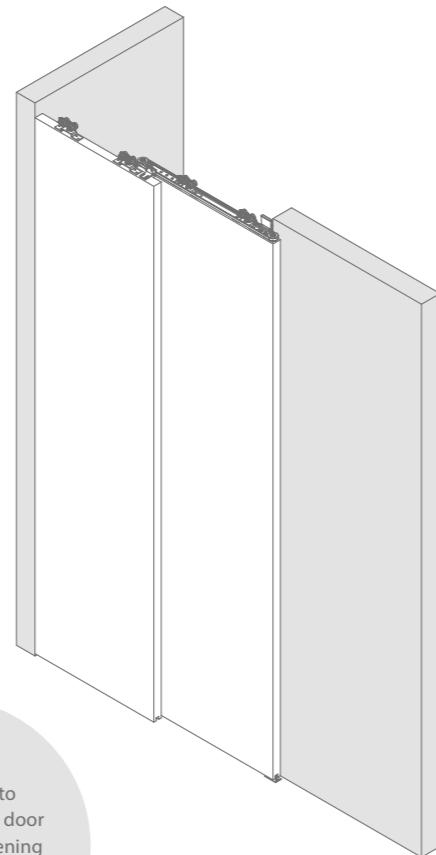
top view, closed



side view, open



side view, closed



Use this setup to quietly close wide door openings. The opening is closed in two sections, using a belt.

Necessities

	Max. door width	Length	Reference F1	Reference RAL 9005
Running track	667 mm	2000 mm	(2 x) 22514012	(2 x) 22514112
	1000 mm	3000 mm	(2 x) 22514013	(2 x) 22514113
	1334 mm	4000 mm	(2 x) 22514014	(2 x) 22514114
	2000 mm	6000 mm	(2 x) 22514016	(2 x) 22514116
Telescopic 2D-set (only with standard-fix, incl.)			22099974	
Toothed belt		5000 mm	22099977	
		10 000 mm	22099978	
		20 000 mm	22099979	
		50 000 mm	22099980	

Belt length calculation

For a two-door telescopic proslide® setup, one belt length is required:

$$\text{Belt length} = (2 \times \text{door width}) + 235 \text{ mm}$$

Options

	Max. door width	Length	Reference
Door thickness profile for back cover	667 mm	2000 mm	22519112
	1000 mm	3000 mm	22519113
	1334 mm	4000 mm	22519114
	2000 mm	6000 mm	22519116
Cover profile	667 mm	2000 mm	22518112
	1000 mm	3000 mm	22518113
	1334 mm	4000 mm	22518114
	1500 mm	6000 mm	22518116
Bottom guide track	1000 mm	1000 mm	(2 x) 22516101
	2000 mm	2000 mm	(2 x) 22516102
	3000 mm	3000 mm	(2 x) 22516103
	6000 mm	6000 mm	(2 x) 22516106
ESSI®-module		50 mm	(2 x) 22599990

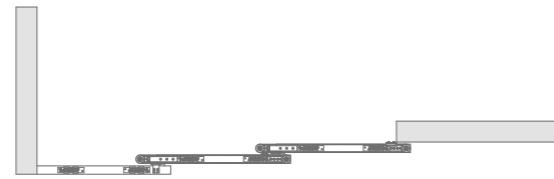
See p. 56-57 for all parts.

Technical drawings

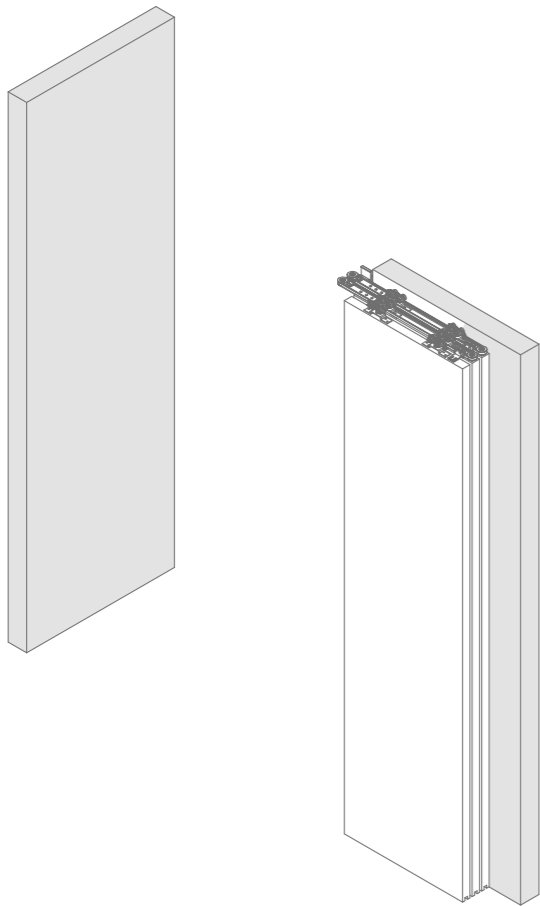
top view, open



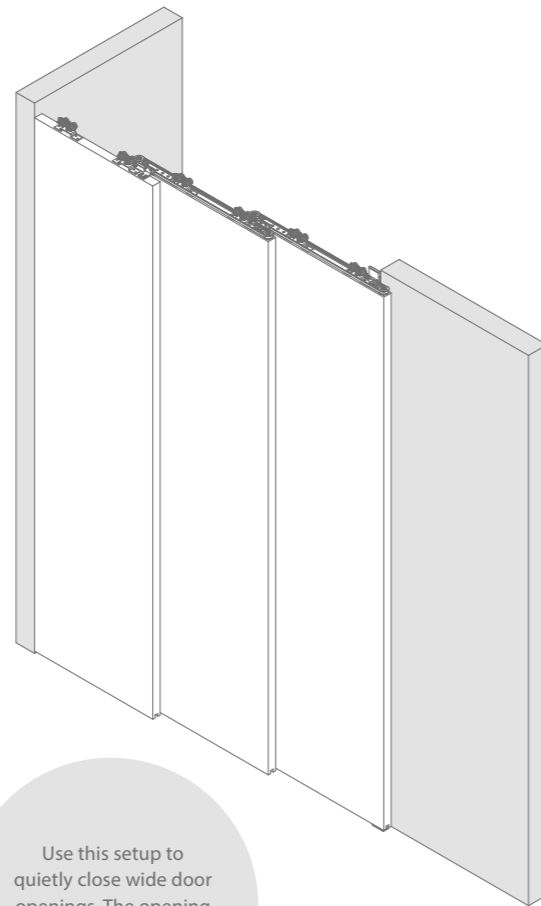
top view, closed



side view, open



side view, closed



Use this setup to quietly close wide door openings. The opening is closed in three sections, using a belt.

Necessities

	Max. door width	Length	Reference F1	Reference RAL 9005
Running track	500 mm	2000 mm	(3 x) 22514012	(3 x) 22514112
	750 mm	3000 mm	(3 x) 22514013	(3 x) 22514113
	1000 mm	4000 mm	(3 x) 22514014	(3 x) 22514114
	1500 mm	6000 mm	(3 x) 22514016	(3 x) 22514116
Telescopic 3D-set			22099975	
Toothed belt		5000 mm	22099977	
		10 000 mm	22099978	
		20 000 mm	22099979	
		50 000 mm	22099980	

Belt length calculation

For a three-door telescopic proslide® setup, two equal belt lengths are required:

$$\text{Belt length} = (2 \times \text{door width}) + 235 \text{ mm}$$

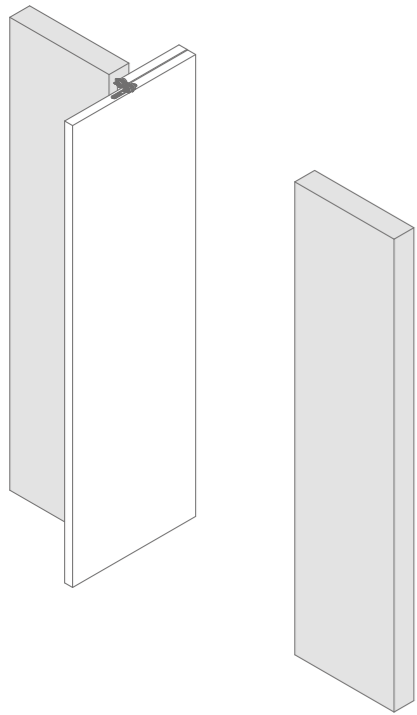
Options

	Max. door width	Length	Reference
Door thickness profile for back cover	500 mm	2000 mm	22519112
	750 mm	3000 mm	22519113
	1000 mm	4000 mm	22519114
	1500 mm	6000 mm	22519116
Cover profile	500 mm	2000 mm	22518112
	750 mm	3000 mm	22518113
	1000 mm	4000 mm	22518114
	1500 mm	6000 mm	22518116
Bottom guide track	1000 mm	1000 mm	(3 x) 22516101
	2000 mm	2000 mm	(3 x) 22516102
	3000 mm	3000 mm	(3 x) 22516103
	6000 mm	6000 mm	(3 x) 22516106
ESSI®-module		50 mm	(3 x) 22599990

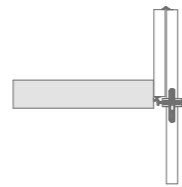
See p. 56-57 for all parts.

Technical drawings

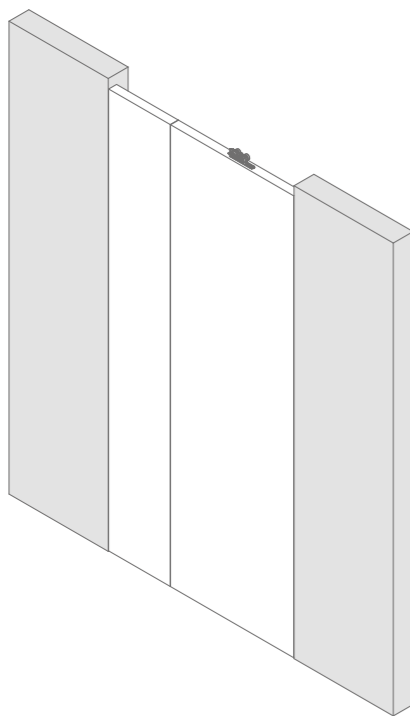
top view, open



top view, closed



side view, open



side view, closed



Necessities

	Max. door width	Length	Reference F1	Reference RAL 9005
Running track	2000 mm	2000 mm	22514012	22514112
	3000 mm	3000 mm	22514013	22514113
	4000 mm	4000 mm	22514014	22514114
	6000 mm	6000 mm	22514016	22514116
Swing-fold door 2D-set			22099982	

Options

	Max. door width	Length	Reference F1	Reference RAL 9005
ESSI®-module		50 mm	22599990	22599996

See p. 56-57 for all parts.



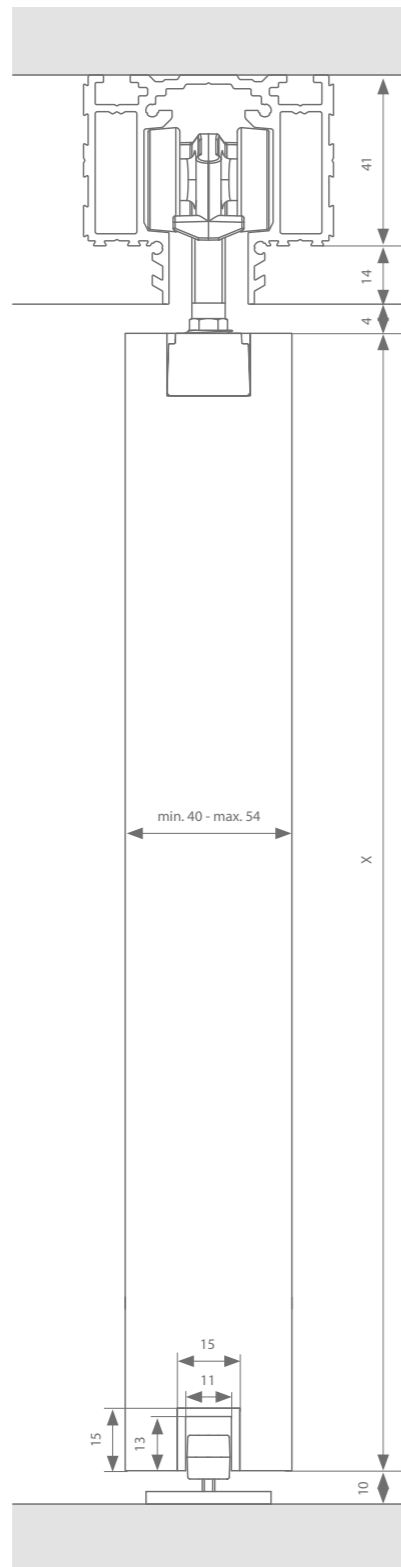
argenta
PROSLIDE INVISIBLE

Proslide® invisible is a professional recessed system specially designed for ceiling-high applications. The track is hidden in the suspended ceiling, making it virtually invisible. The product is suitable for single, double and parallel doors

proslide invisible 40 / 44 / 50 / 54 mm up to 100 kg

Technische tekening

Manual- or auto-fix



Profiles

	ESSI®-module (incl.)	Max. door width	Length	Reference F1	Reference RAL 9005
Running track	1 piece	1000 mm	2000 mm	22517112	22517212
	2 pieces	1500 mm	3000 mm	22517113	22517213
	2 pieces	2000 mm	4000 mm	22517114	22517214
	2 pieces	3000 mm	6000 mm	22517116	22517216
Bottom guide track (option)	1000 mm	1000 mm	1000 mm	22516101	
	2000 mm	2000 mm	2000 mm	22516102	
	3000 mm	3000 mm	3000 mm	22516103	
	6000 mm	6000 mm	6000 mm	22516106	

Fitting set selection

	Standard-stop	Slowstop	Slowstop small	Reference F1	Reference 9005
Manual-fix*	x 2			22513003	
	x 1	x 1		22512403	22512413
		x 2		22513004	22513014
			x 1	22199812	
Auto-fix*	x 2			22513005	
	x 1	x 1		22512404	22512414
		x 2		22513006	22513016
			x 1	22199813	

*Option integrated door profile

	Max. door width	Length	Reference F1	Reference RAL 9005
Integrated door profile	1000 mm	1000 mm	22516201	
	2000 mm	2000 mm	22516202	
	6000 mm	6000 mm	22516206	
+ set of sealing pieces, black			22599993	
+ set of sealing pieces, white			22599994	
+ set of sealing pieces, grey			22599995	

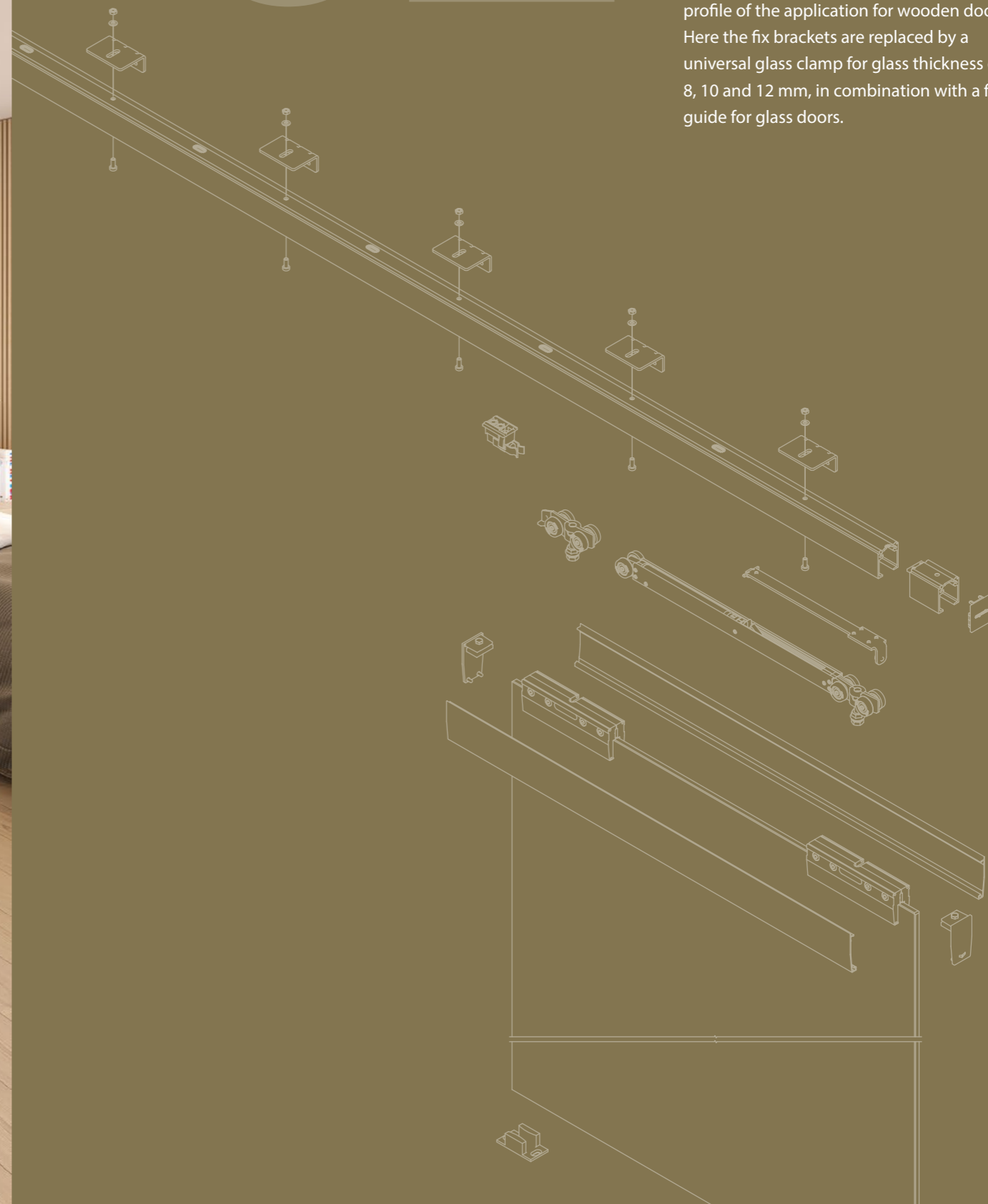
See p.55 for minimal door width. See p. 56-57 for all parts.



02

PROSLIDE GLASS

ARLU® creates trustworthy and good operating interior doors even when it comes to more brittle materials such as glass. A sliding glass door demands a robust but elegant fitting to be fully appreciated. The proslide® glass therefore relies on the roller assemblies, trimmings and the running profile of the application for wooden doors. Here the fix brackets are replaced by a universal glass clamp for glass thickness of 8, 10 and 12 mm, in combination with a floor guide for glass doors.





argenta
PROSLIDE GLASS

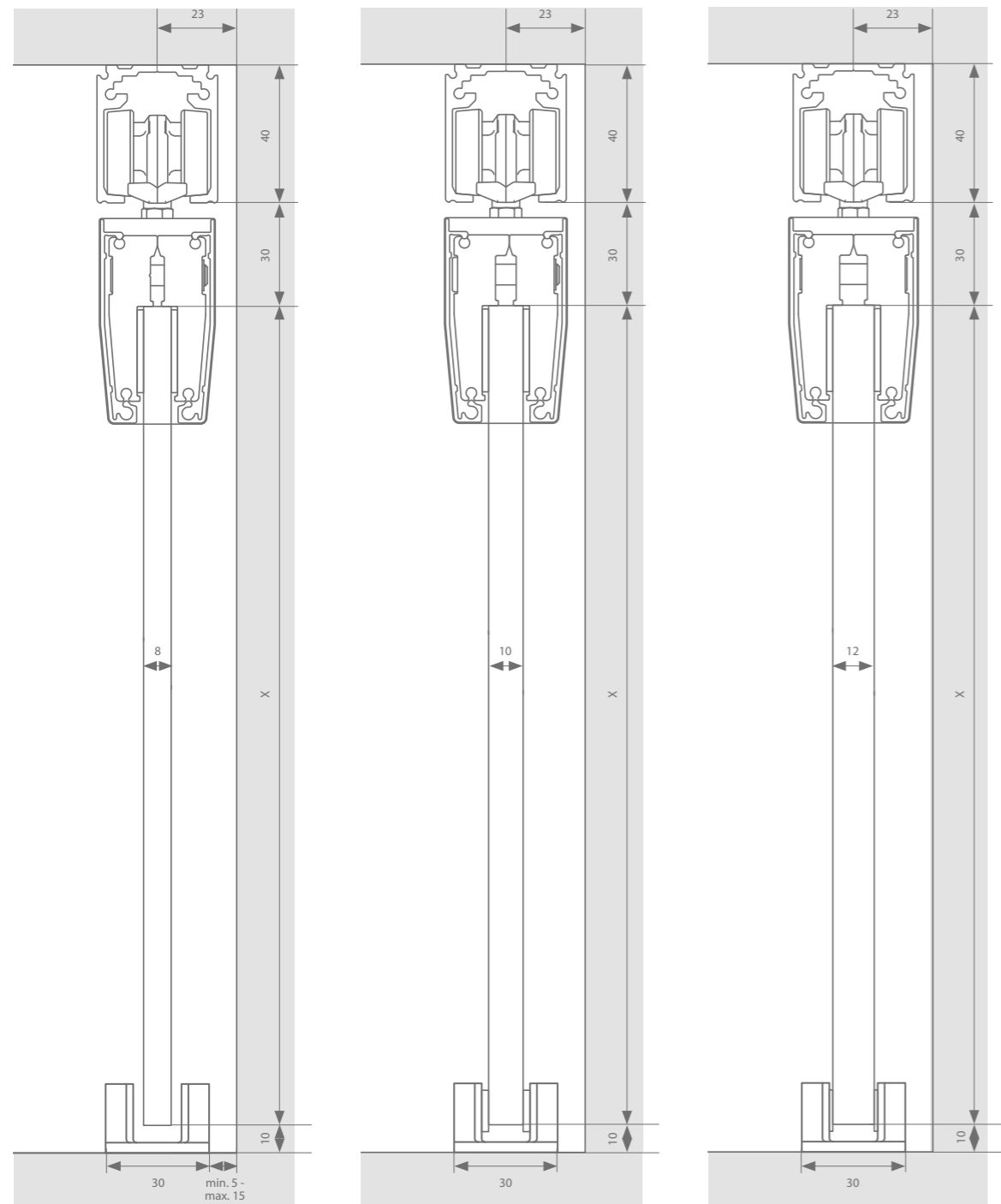
Proslide® glass is a professional surface-mounted sliding door hardware system for both wall and ceiling applications. A timeless cover profile with matching end caps ensure both the running profile and the glass clamps are neatly concealed.

Technical drawings

ceiling mounted 8 mm

ceiling mounted 10 mm

ceiling mounted 12 mm



Profiles

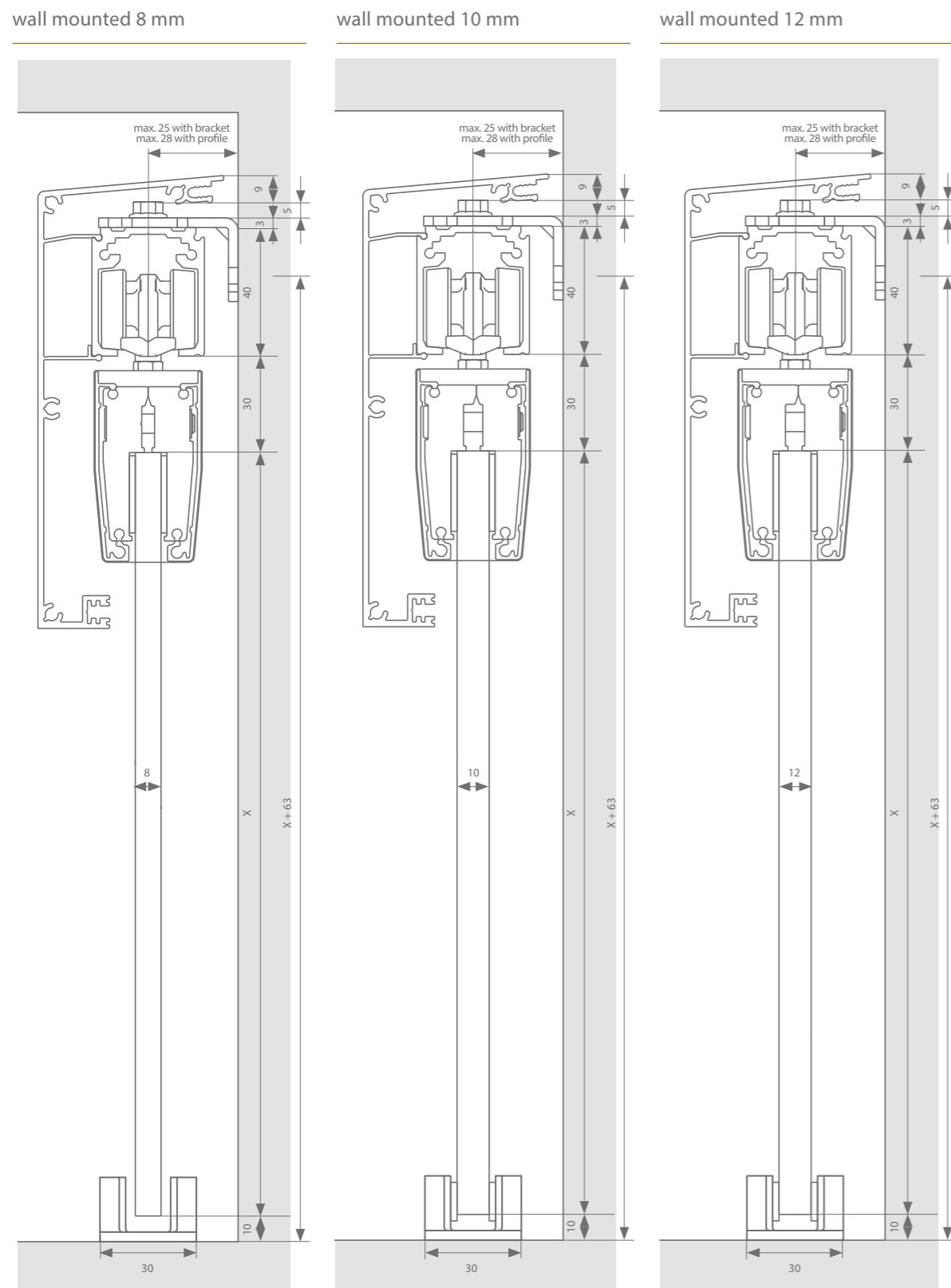
	Max. door width	Length	Reference
Running track	1000 mm	2000 mm	22514012
	1500 mm	3000 mm	22514013
	2000 mm	4000 mm	22514014
	3000 mm	6000 mm	22514016
Cover profile glass - glass clamp	2000 mm	2000 mm	(2 x) 22015202
	3000 mm	3000 mm	(2 x) 22015203
	6000 mm	6000 mm	(2 x) 22015206
+ set of sealing pieces 8 mm			22612008
+ set of sealing pieces 10 mm			22612010
+ set of sealing pieces 12 mm			22612012
ESSI®-module		50 mm	22599990

Fitting set selection

	Standard-stop	Slowstop	Slowstop small	Reference
8 mm	x 2			22199800
	x 1	x 1		22199801
		x 2		22199803
			x 1	22199802
10 mm	x 2			22199807
	x 1	x 1		22199806
		x 2		22199804
			x 1	22199805
12 mm	x 2			22199808
	x 1	x 1		22199809
		x 2		22199811
			x 1	22199810

See p.55 for minimal door width. See p. 56-57 for all parts.

Technical drawings



Profiles

	Max. door width	Length	Reference
Running track	1000 mm	2000 mm	22514012
	1500 mm	3000 mm	22514013
	2000 mm	4000 mm	22514014
	3000 mm	6000 mm	22514016
Wall mounting: bracket (x 20) + bolts and nuts (x20)			22512101
Wall mounting: profile	1000 mm	2000 mm	22512004
	1500 mm	3000 mm	22512001
	2000 mm	4000 mm	22512002
	3000 mm	6000 mm	22512003
+ Bolts and nuts (x 20)			22512103
Cover profile glass - profile	1000 mm	2000 mm	22615212
	1500 mm	3000 mm	22615213
	2000 mm	4000 mm	22615214
	3000 mm	6000 mm	22615216
Cover profile glass - glass clamp	2000 mm	2000 mm	(2 x) 22015202
	3000 mm	3000 mm	(2 x) 22015203
	6000 mm	6000 mm	(2 x) 22015206
+ set of sealing pieces 8 mm			22612008
+ set of sealing pieces 10 mm			22612010
+ set of sealing pieces 12 mm			22612012
ESSI®-module		50 mm	22599990

Fitting set selection

	Standard-stop	Slowstop	Slowstop small	Reference
8 mm	x 2			22199800
	x 1	x 1		22199801
		x 2		22199803
			x 1	22199802
10 mm	x 2			22199807
	x 1	x 1		22199806
		x 2		22199804
			x 1	22199805
12 mm	x 2			22199808
	x 1	x 1		22199809
		x 2		22199811
			x 1	22199810

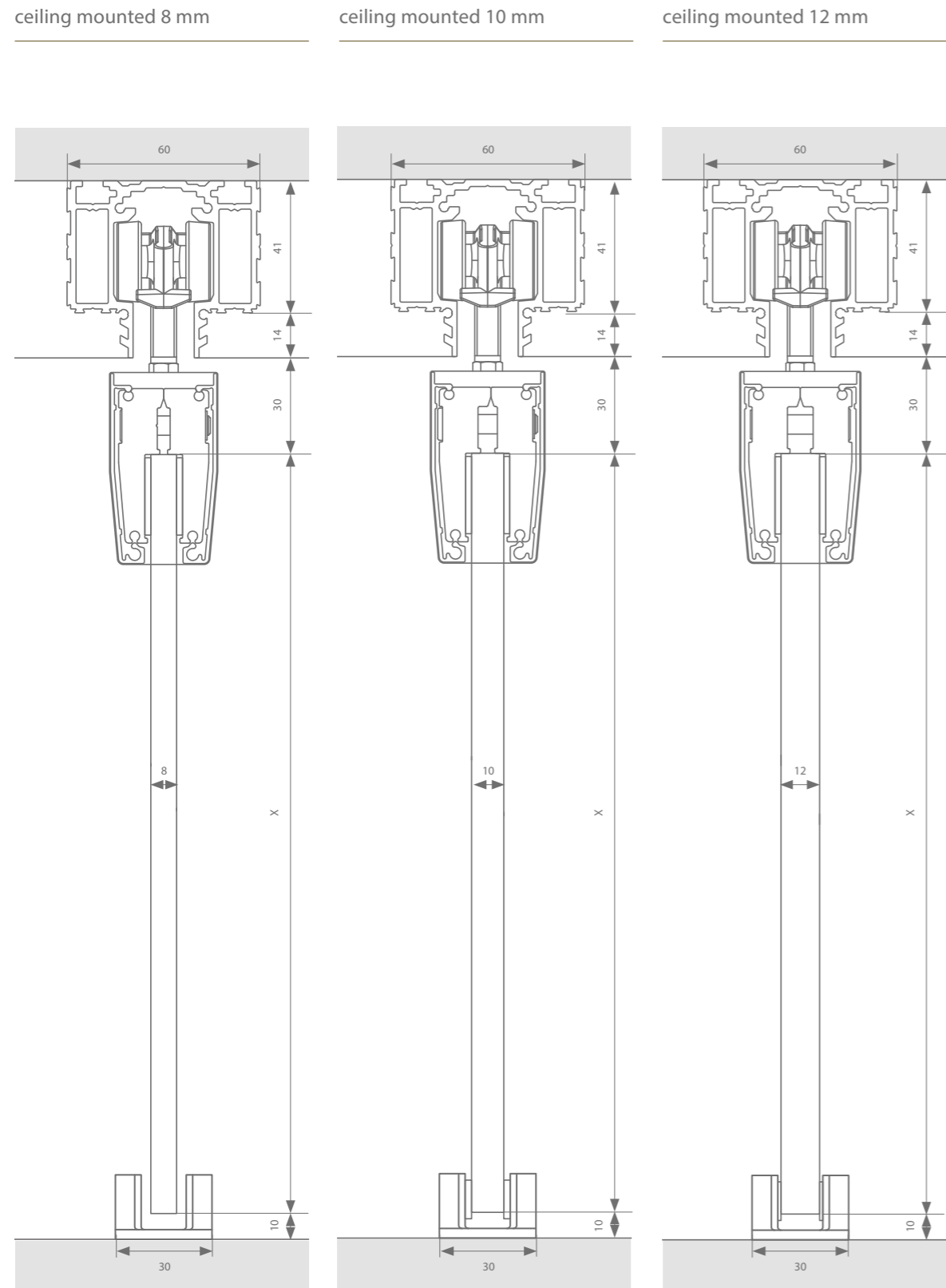
See p.55 for minimal door width. See p. 56-57 for all parts.



argenta
PROSLIDE INVISIBLE GLASS

Proslide® invisible is a discrete system specially developed for ceiling high application with a minimalist finish. The track is recessed in a suspended ceiling, leaving it virtually invisible. A timeless cover profile and matching end caps ensure the glass clamps are neatly concealed.

Technical drawings



Profiles

	Max. door width	Length	Primer	Black anodized
Running track	1000 mm	2000 mm	22517112	22517212
	1500 mm	3000 mm	22517113	22517213
	2000 mm	4000 mm	22517114	22517214
	3000 mm	6000 mm	22517116	22517216
Cover profile glass - glass clamp	2000 mm	2000 mm	(2 x) 22015202	
	3000 mm	3000 mm	(2 x) 22015203	
	3000 mm	6000 mm	(2 x) 22015206	
+ set of sealing pieces 8 mm			22612008	
+ set of sealing pieces 10 mm			22612010	
+ set of sealing pieces 12 mm			22612012	

Fitting set selection

	Standard-stop	Slowstop	Slowstop small	Reference
8 mm	x 2			22199800
	x 1	x 1		22199801
		x 2		22199803
			x 1	22199802
10 mm	x 2			22199807
	x 1	x 1		22199806
		x 2		22199804
			x 1	22199805
12 mm	x 2			22199808
	x 1	x 1		22199809
		x 2		22199811
			x 1	22199810

See p.55 for minimal door width. See p. 56-57 for all parts.

PRODUCT CONFIGURATOR

PROSLIDE SURFACE-MOUNTED - WOOD 40 / 44 MM

Order sequence		Reference			
1	Running track	F1	RAL 9005		
		2 m	22514012 22514112		
		3 m	22514013 22514113		
		4 m	22514014 22514114		
		6 m	22514016 22514116		
	ESSI®-module	50 mm	22599990 22599996		
2	Without cover profile + set of sealing pieces	Reference			
		black	22512604		
		white	22512605		
	Wall mounting	F1		RAL 9005	
		wall mounting profile	2 m	22512004 -	
			3 m	22512001 -	
			4 m	22512002 -	
			6 m	22512003 -	
		+ bolts & nuts	per 10	22512105 -	
			per 20	22512103 -	
		OR bracket + bolt & nut	per 20	22512101 -	
			cover profile	2 m	22520112 22520212
		3 m		22520113 22520213	
		4 m		22520114 22520214	
		6 m		22520116 22520216	
		+ set of sealing pieces	for single cover profile	22512711 22512813	
		Ceiling mounting	cover profile	2 m	22515112 22515212
				3 m	22515113 22515213
4 m	22515114 22515214				
6 m	22515116 22515216				
+ set of sealing pieces	for single cover profile		22512701 22512901		
	for double cover profile		22512702 22512902		

Order sequence		Reference			
3	Integrated door profile (only for manual- & auto-fix)	profile (F1)	1 m 22516201		
			2 m 22516202		
			6 m 22516206		
		+ set of sealing pieces	black 22599993		
			white 22599994		
			grey 22599995		
	Bottom guide track	profile (F1)	1 m 22516101		
			2 m 22516102		
			3 m 22516103		
			6 m 22516106		
	Self-closing (only with slowstop + standard stop)	selfclose	F1	22099970	
			Reference		
4	Standard-fix	Standard-stop	x 2 22513001 -		
		Slowstop	x 1 x 1 22512402 -		
		Slowstop small	x 2 22513002 -		
			x 2 22513003 -		
			x 1 x 1 22512403 22512413		
			x 2 22513004 22513014		
	Manual-fix		x 1 22199812 -		
			x 2 22513005 -		
			x 1 x 1 22512404 22512414		
			x 2 22513006 22513016		
			x 1 22199813 -		
			x 1 22199814 -		
5	Construction project hardware	Fitting set (excl. profile)	Reference		
			Info		
				2 doors	3 doors
			symmetrical	22099973 -	incl. rollers & stoppers
			parallel	22010210 22010211	set of rollers and stoppers to be ordered separately
telescopic	22099974 22099975	incl. rollers & stoppers			
folding doors	22099982 -	incl. rollers & stoppers			

PRODUCT CONFIGURATOR

PROSLIDE SURFACE-MOUNTED - WOOD 50 / 54 MM

Order sequence		Reference		
1	Running track	F1	RAL 9005	
		2 m	22514012 22514112	
		3 m	22514013 22514113	
		4 m	22514014 22514114	
	6 m	22514016 22514116		
ESSI®-module	50 mm	22599990	22599996	
		Reference		
2	Without cover profile + set of sealing pieces	black	22512604	
		white	22512605	
		grey	22512600	
			Reference	
	Wall mounting	packing profile	F1	RAL 9005
			2 m	22512004 -
			3 m	22512001 -
			4 m	22512002 -
			6 m	22512003 -
			bolts & nuts	per 10 22512105 -
		OR	per 20 22512103 -	
		OR	bracket + bolt & nut	per 20 22012002 -
		packing clips	2 m	22519112 -
			3 m	22519113 -
			4 m	22519114 -
6 m			22519116 -	
OR	1 pc. / 50 mm 22099983 -			
OR	1 pc. / 100 mm 22099984 -			
cover profile	2 m	22521112 -		
	3 m	22521113 -		
	4 m	22521114 -		
	6 m	22521116 -		
	+ set of sealing pieces	for single cover profile 22512712 22512911		
	packing profile	2 m	22519112 -	
3 m		22519113 -		
4 m		22519114 -		
6 m		22519116 -		
OR		1 pc. / 50 mm 22099983 -		
OR		1 pc. / 100 mm 22099984 -		
Ceiling mounting	cover profile	2 m	22515112 22515212	
		3 m	22515113 22515213	
		4 m	22515114 22515214	
		6 m	22515116 22515216	
	+ set of sealing pieces	for single cover profile	22512703 22512903	
		for double cover profile	22512702 22512904	

Order sequence		Reference				
3	Integrated door profile (only for manual- & auto-fix)	profile (F1)	1 m 22516201			
			2 m 22516202			
			6 m 22516206			
		+ set of sealing pieces	black 22599993			
			white 22599994			
	Bottom guide track		grey 22599995			
		profile (F1)	1 m 22516101			
			2 m 22516102			
			3 m 22516103			
			6 m 22516106			
		Reference				
4	Standard-stop	Standard-stop	F1	RAL 9005		
		x 2	22513001 -			
		Standard-fix	x 1 x 1 22512402 -			
	Manual-fix		x 2 22513002 -			
			x 2 22513003 -			
			x 1 x 1 22512403 22512413			
	Auto-fix		x 2 22513004 22513014			
			x 1 22199812 -			
			x 2 22513005 -			
	Side-fix		x 1 x 1 22512404 22512414			
			x 2 22513006 22513016			
			x 1 22199813 -			
		x 1 22199814 -				
			Reference			
	5	Self-closing	selfclose	F1	22099970	only in combination with slowstop + standard stop
		Reference				
6	Construction project hardware			Info		
		Fitting set (excl. profile)	2 doors	3 doors		
			symmetrical	22099973	-	incl. rollers & stoppers
			parallel	22010210	22010211	set of rollers and stoppers to be ordered seperately
		telescopic	22099974	22099975	incl. rollers & stoppers	
		folding door	22099982	-	incl. rollers & stoppers	

PRODUCT CONFIGURATOR

PROSLIDE INVISIBLE - WOOD 40 / 44 / 50 / 54

Order sequence		Reference							
1 Running track	Running track		Primer	Black anodized					
		2 m (incl. 1x ESSI®)	22517112	22517212					
		3 m (incl. 1x ESSI®)	22517113	22517213					
		4 m (incl. 1x ESSI®)	22517114	22517214					
		6 m (incl. 1x ESSI®)	22517116	22517216					
2 Accessories	Bottom guide track	profile (F1)	1 m	22516101					
			2 m	22516102					
			3 m	22516103					
			6 m	22516106					
	Integrated door profile	profile (F1)	1 m	22516201					
			2 m	22516202					
			6 m	22516206					
			black	22599993					
		+ set of sealing pieces	white	22599994					
			grey	22599995					
			3 Fitting set	Manual-fix	Standard-stop	Slowstop	Slowstop small	Primer	Black anodized
					x 2			22513003	-
Auto-fix	x 1	x 1			22512403	22512413			
		x 2			22513004	22513014			
				x 1	22199812	-			
	x 2				22513005	-			
Auto-fix	x 1	x 1		22512404	22512414				
		x 2		22513006	22513016				
			x 1	22199813	-				

PRODUCT CONFIGURATOR

PROSLIDE SURFACE-MOUNTED - GLASS

Order sequence		Reference			
1 Running track	Running track	2 m	22514012		
		3 m	22514013		
		4 m	22514014		
		6 m	22514016		
	ESSI®-module	50 mm	22599990		
2 Cover profile	Glass clamp	2 m	22015202		
		cover profile glass clamp	3 m	22015203	
		6 m	22015206		
		8 mm	22612008		
	Running track without cover profile	+ set of sealing pieces	10 mm	22612010	
			12 mm	22612012	
			black	22512604	
			white	22512605	
	Wall mounting	Wall mountingsprofile	grey	22512600	
			2 m	22512004	
			3 m	22512001	
			4 m	22512002	
OR		bolts & nuts	6 m	22512003	
			per 10	22512105	
			per 20	22512103	
			per 20	22512101	
cover profile	2 m	22615212			
	3 m	22615213			
	4 m	22615214			
	6 m	22615216			
3 Fitting set	8 mm	Standard-stop	Slowstop	Slowstop small	Reference
		x 2			22199800
		x 1	x 1		22199801
			x 2		22199803
	10 mm			x 1	22199802
		x 2			22199807
		x 1	x 1		22199806
			x 2		22199804
	12 mm			x 1	22199805
		x 2			22199808
		x 1	x 1		22199809
			x 2		22199811
			x 1	22199810	

PRODUCT CONFIGURATOR

PROSLIDE INVISIBLE - GLASS

GENERAL INFO

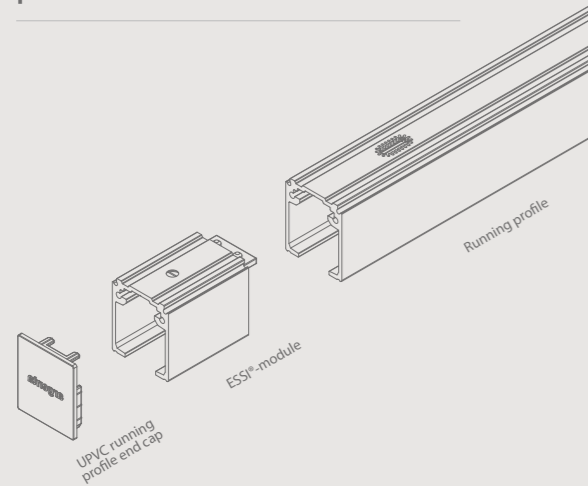
Order sequence		Reference				
1	Running track		Primer	Black anodized		
		2 m (incl. 1 x ESSI)	22517112	22517212		
		3 m (incl. 2 x ESSI)	22517113	22517213		
		4 m (incl. 2 x ESSI)	22517114	22517214		
		6 m (incl. 2 x ESSI)	22517116	22517216		
2	Glass clamp	Cover profile	2 m	22015202		
			cover profile glass clamp	3 m	22015203	
			6 m	22015206		
			8 mm	22612008		
			+ set of sealing pieces	10 mm	22612010	
			12 mm	22612012		
			3	Fitting set	8 mm	Standard-stop
x 2						22199800
x 1	x 1					22199801
		x 2				22199803
					x 1	22199802
10 mm	x 2					22199807
	x 1	x 1				22199806
					x 2	22199804
					x 1	22199805
12 mm	x 2					22199808
	x 1	x 1				22199809
					x 2	22199811
						x 1

Min. door width

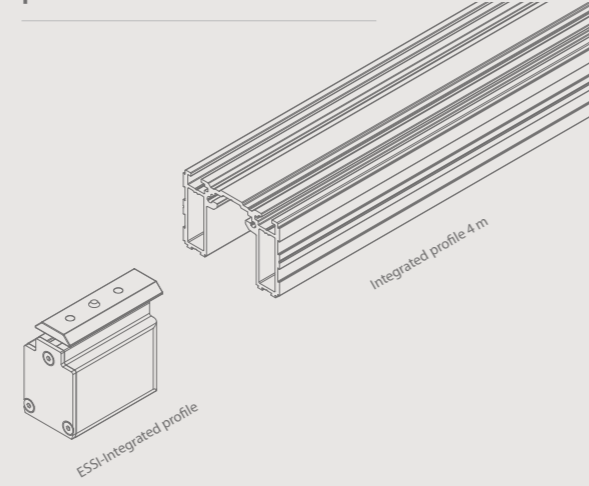
	Standard-stop	Slowstop	Slowstop small	proslide®		proslide® invisible		
				NO ESSI	x 1 ESSI	x 2 ESSI	x 1 ESSI (+60 mm)	x 2 ESSI (+120 mm)
Standard-fix	x 2			500 mm	500 mm	500 mm	-	-
	x 1	x 1		600 mm	600 mm	730 mm	-	-
			x 2	930 mm	930 mm	930 mm	-	-
Manual-fix	x 2			500 mm	500 mm	500 mm	500 mm	500 mm
	x 1	x 1		600 mm	600 mm	680 mm	650 mm	730 mm
			x 2	930 mm	930 mm	930 mm	980 mm	1030 mm
				x 1	880 mm	880 mm	880 mm	930 mm
Auto-fix	x 2			500 mm	500 mm	500 mm	500 mm	500 mm
	x 1	x 1		600 mm	600 mm	680 mm	650 mm	730 mm
			x 2	930 mm	930 mm	930 mm	980 mm	1030 mm
				x 1	880 mm	880 mm	880 mm	930 mm
Glass clamp	x 2			500 mm	500 mm	500 mm	500 mm	500 mm
	x 1	x 1		630 mm	630 mm	680 mm	650 mm	730 mm
			x 2	980 mm	980 mm	980 mm	1000 mm	1030 mm
				x 1	900 mm	900 mm	900 mm	930 mm

Parts overview

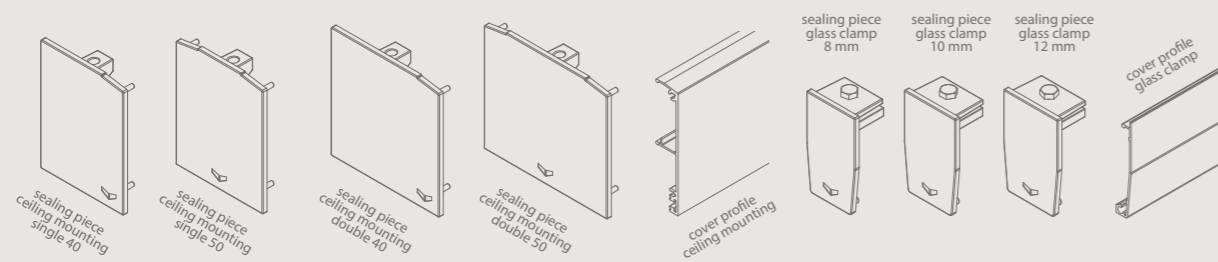
proslide®



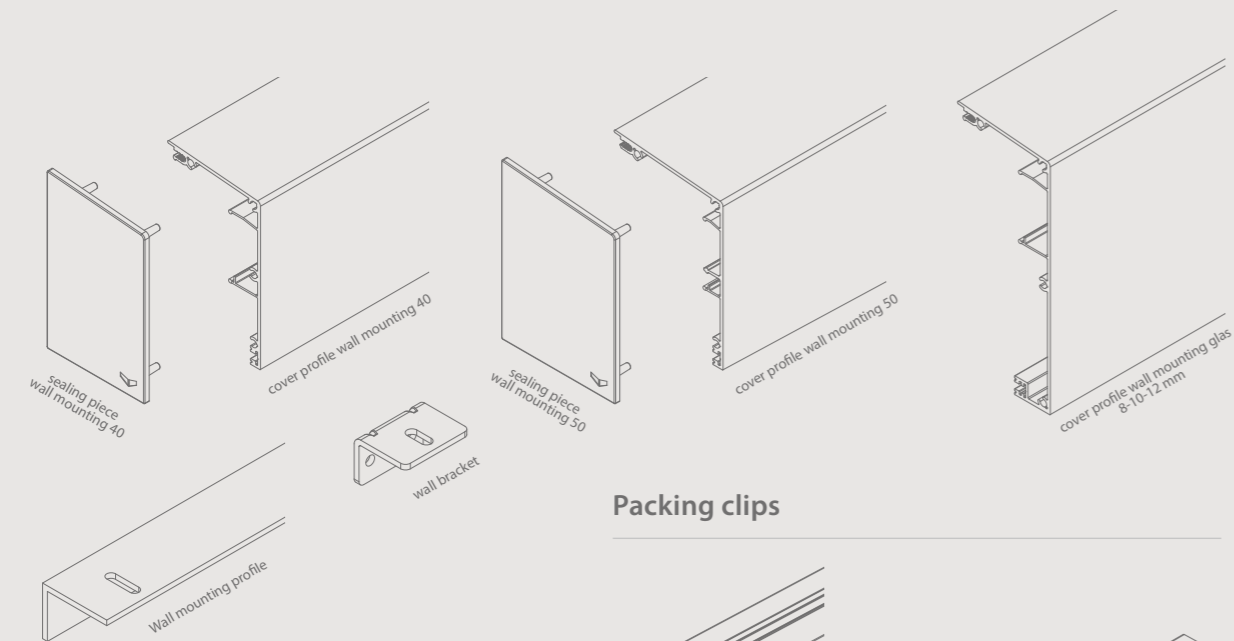
proslide® invisible



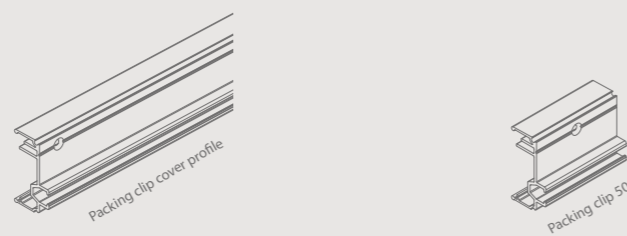
Ceiling mounting



Wall mounting

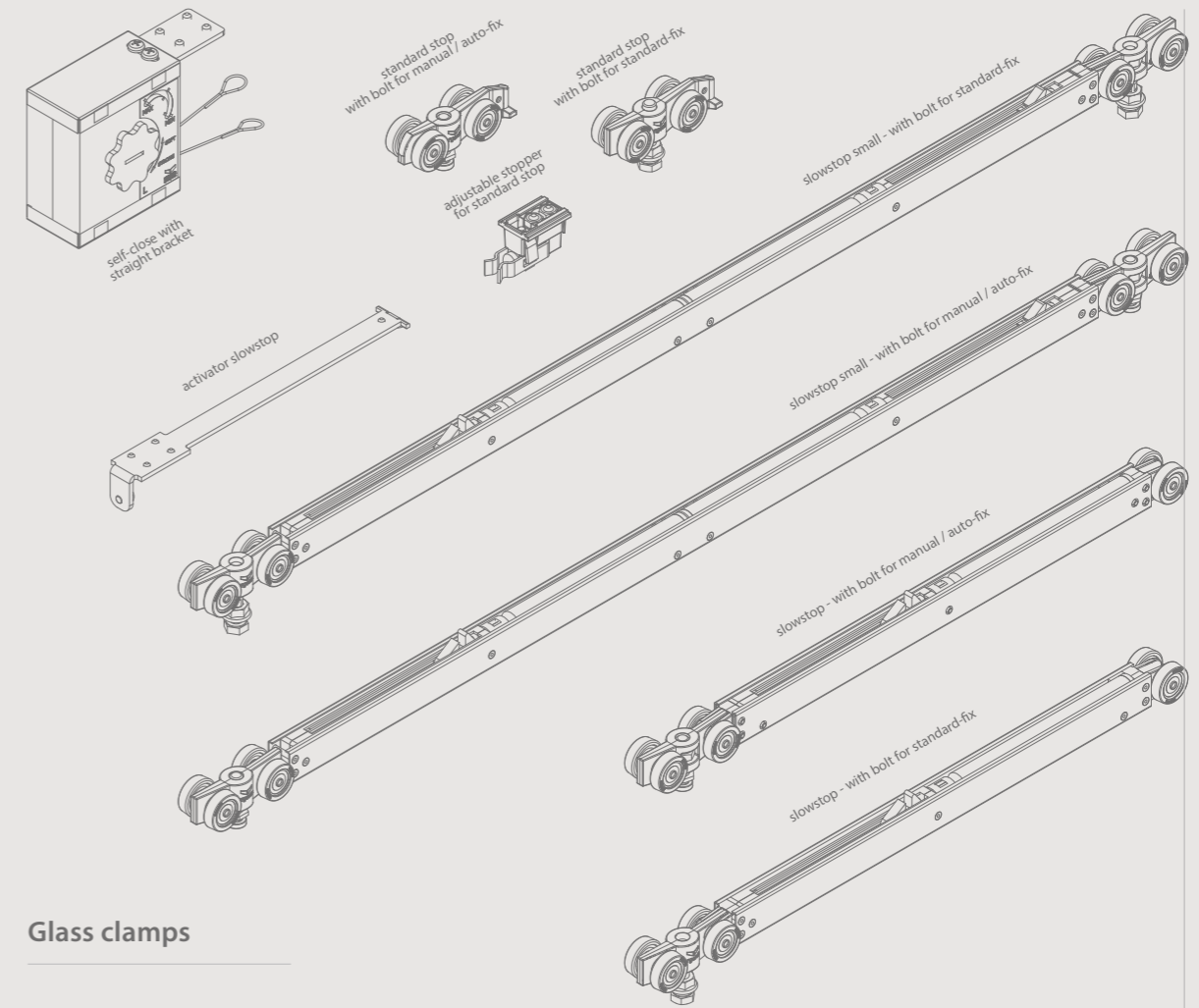


Packing clips

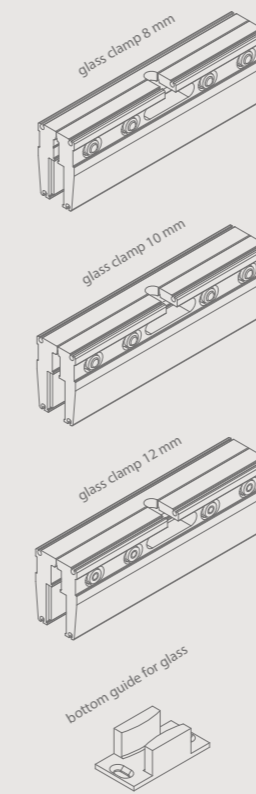


Accessories

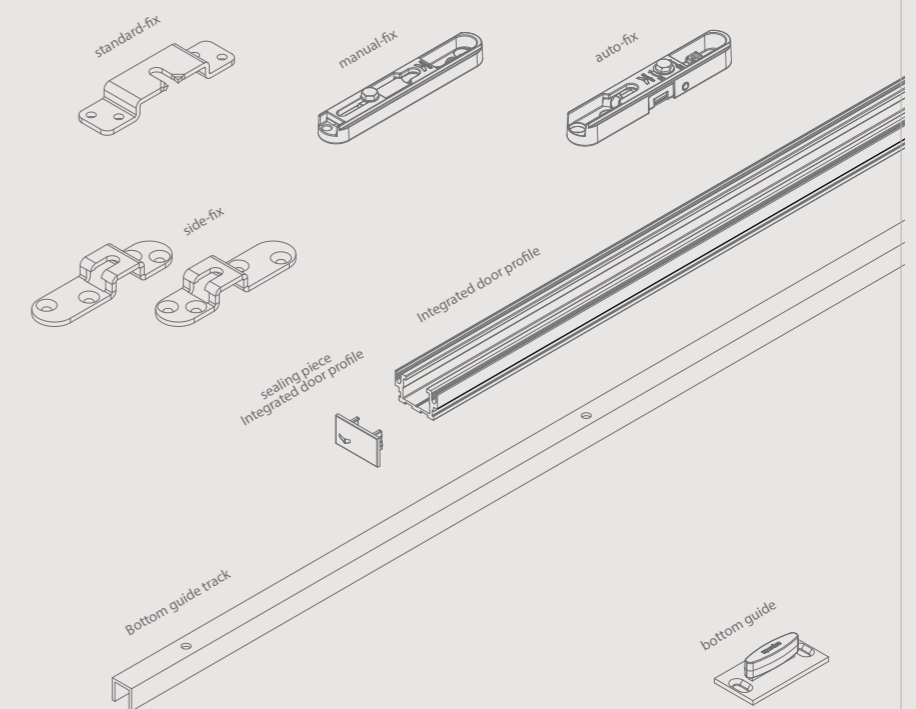
Fitting set



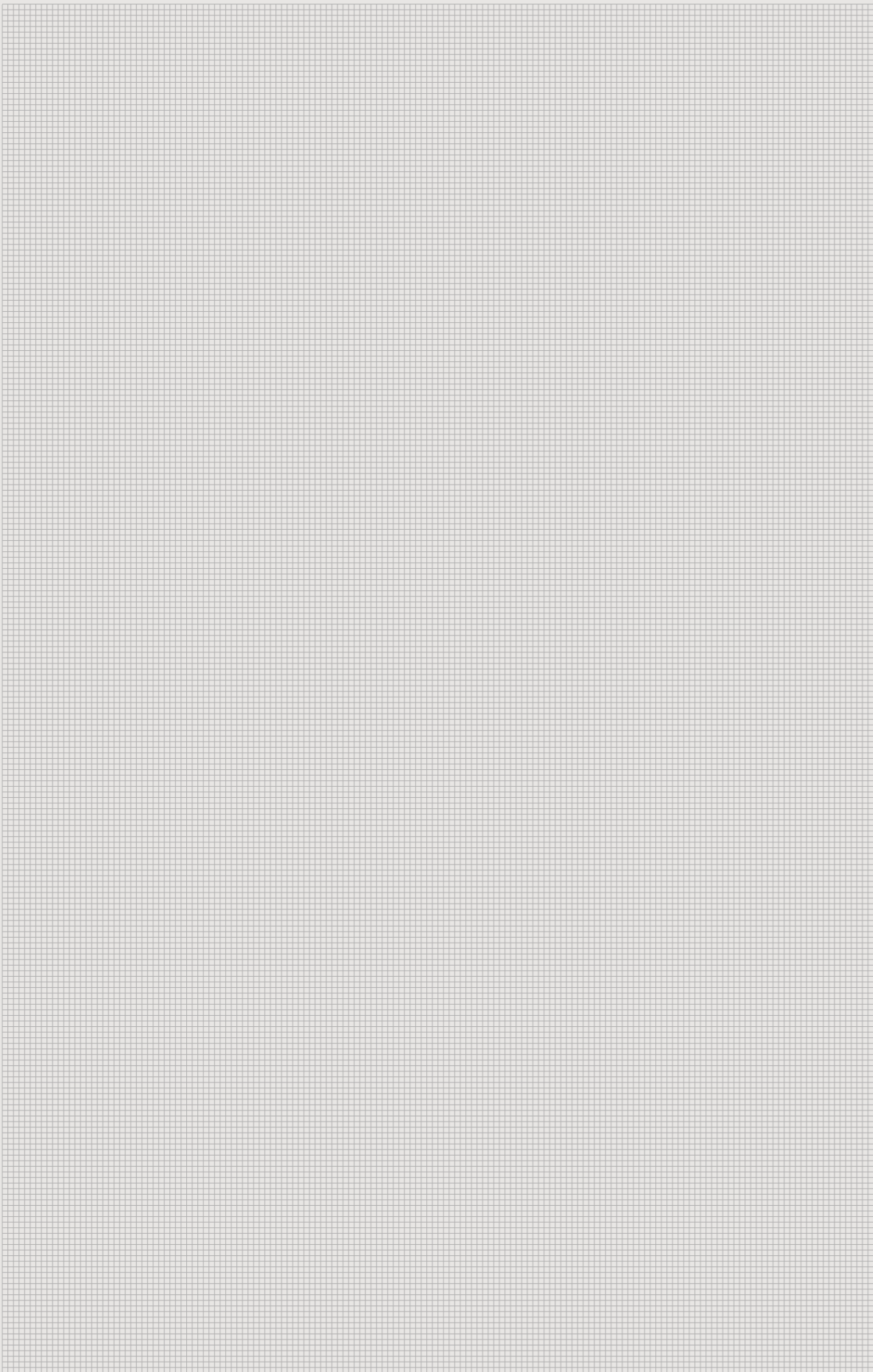
Glass clamps



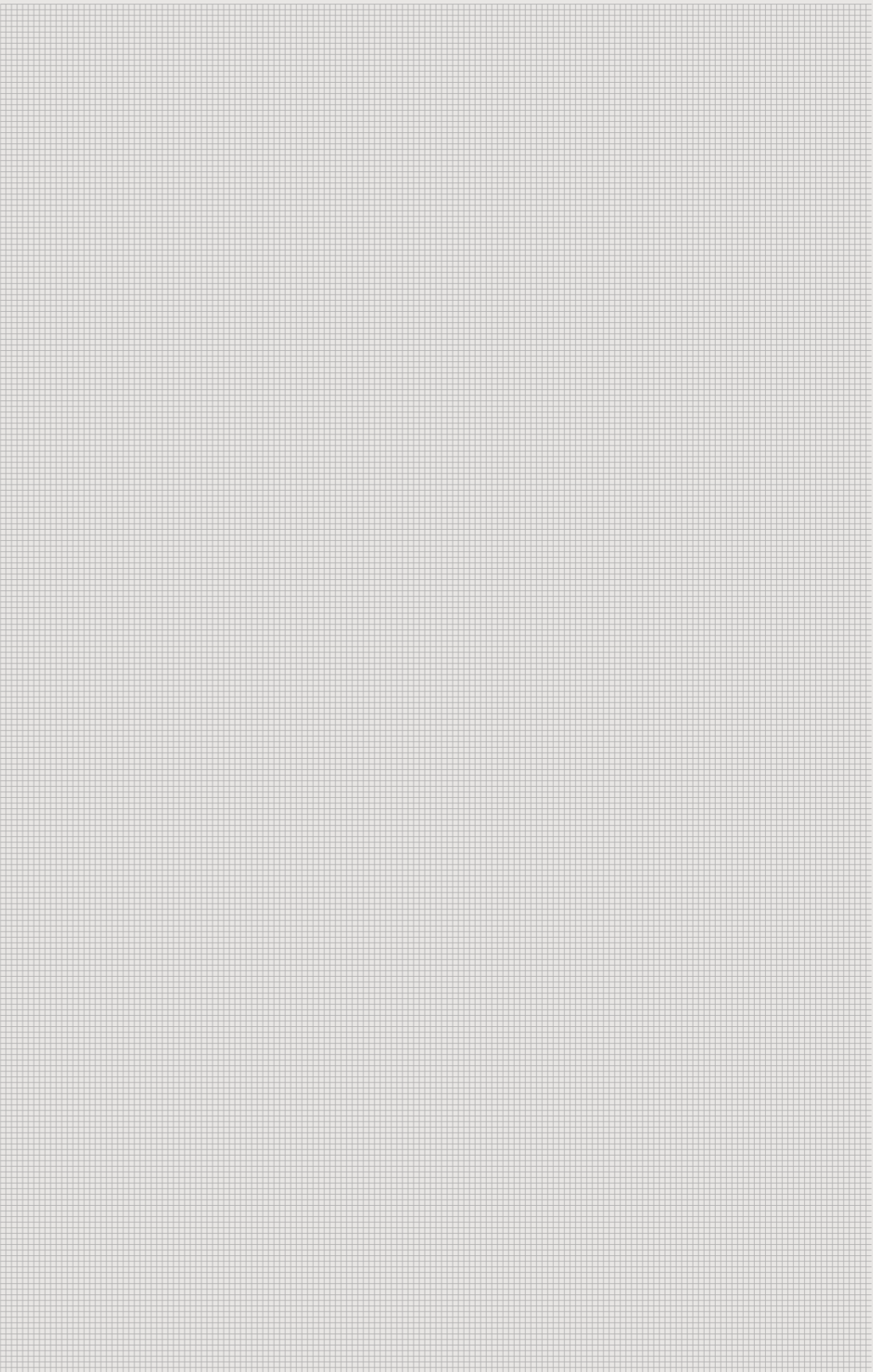
Suspension



NOTES



NOTES





Ter Vlucht 2 +32 (0)51 27 05 00
8850 Ardoorie info@arlu.be
Belgium WWW.ARLU.BE



©L300055 08/23 English