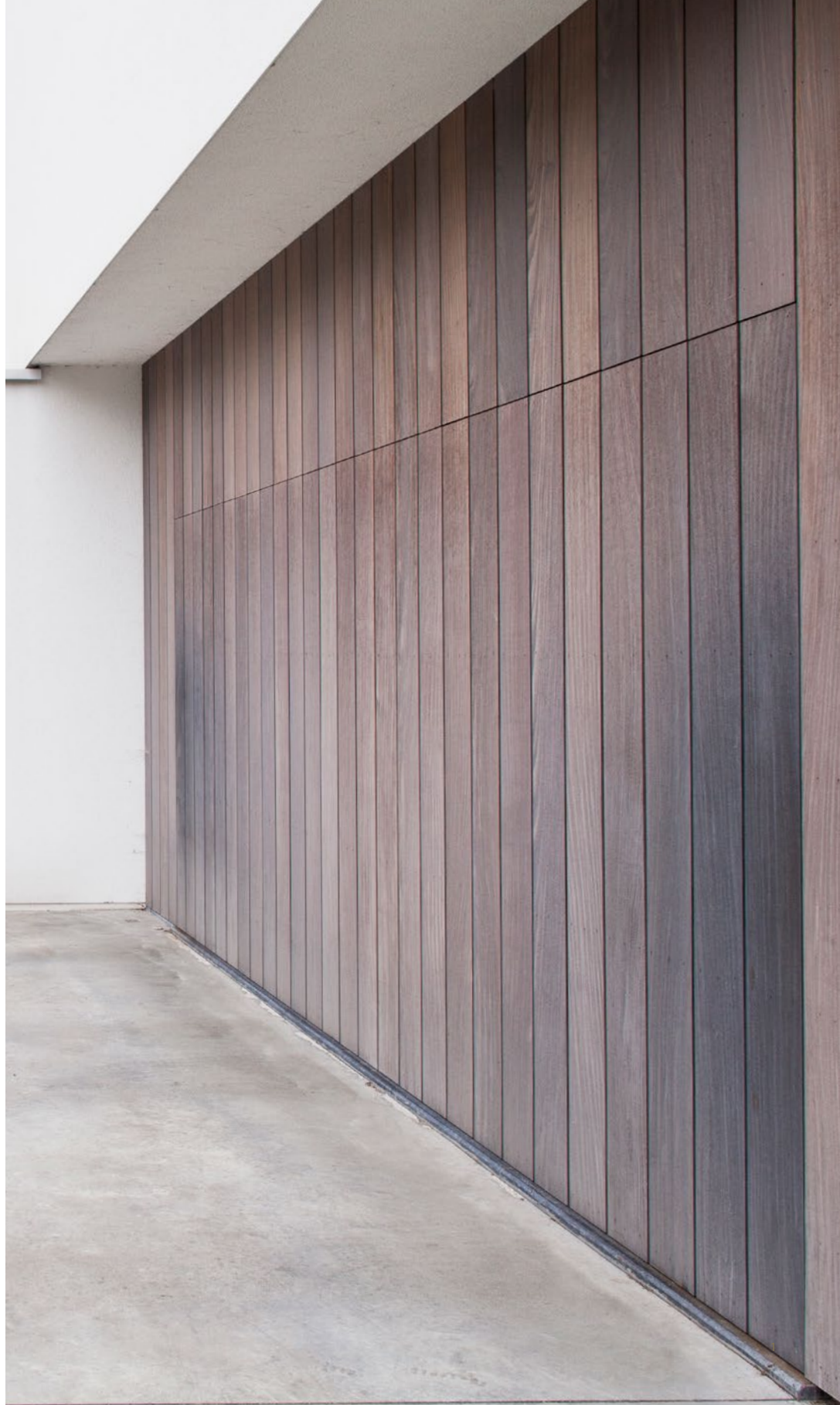




TILTING & BI-SECTIONAL DOORS



rob

OPENING DOORS



ARLU, THE REFERENCE FOR OPENING DOORS

ARLU® is the manufacturer behind the argenta® and rob® brand names. Rob has been a pioneering brand in outdoor hardware for more than 80 years.

Throughout its history, it has invariably focused on offering a complete range of technologies to effortlessly open and close doors and shutters of all shapes and sizes, across their entire lifespan.

Whether your doors slide, fold or tilt, flawless movement starts with reliable hardware. If that hardware can be designed to be fully integrated and as unobtrusive as possible, this only contributes to an unparalleled total experience that perfectly combines looks and user comfort.

Rob stands for a complete range of durable outdoor hardware.

ALL TECHNICAL DRAWINGS ARE SHOWN IN MILLIMETRES AND ARE SUBJECT TO CHANGE BY ARLU.

01 TILTING DOORS

6	713.000
12	715.000
18	716-726.000
24	717-727.000

02 BI-SECTIONAL DOORS

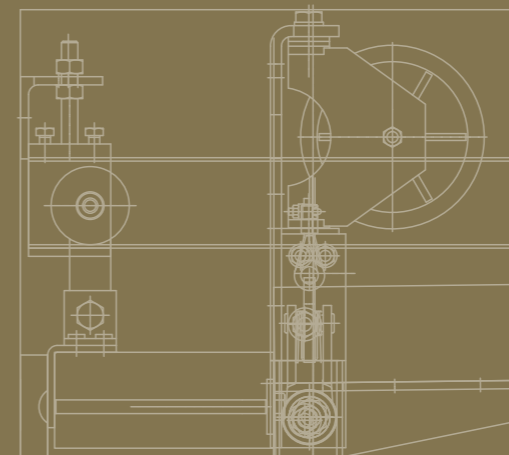
34	773.000
40	774.000

03 CABLE WHEELS

01

TILTING DOORS

A non protruding up-and-over garage door opens in one piece and can sit flush with the facade cladding when closed. This contemporary and sleek system can be used for wooden or metal doors up to 600 kg. A counterweight, with or without reduction, helps the door in its movement. As the door is non protruding, it may sit in a chambering, even with double sealing. If desired, you can purchase a corresponding motor to automate the door.





tilting doors
general info



parachute protection

- A** Four rollers, placed on the four corners of the panel, guide the door in its tracks. This applies up to and including the series 715.000 (up to 200 kg). For the heavier series, 2 tracks are placed above the door leaf, provided with single wheels on heavy duty ball bearings
-
- B** The lower wheels are always equipped with a parachute protection to prevent the door from falling in the event of a cable rupture.
-
- C** A counterweight will help the door in its movement. Once correctly leveled, you will not need to make any further adjustments.
-
- D** As the door is non protruding, it may sit in a chambering , even with double sealing. If desired, you can purchase a corresponding motor to automate the door.
-
- E** The bottom edge of the door is equipped with a rubber seal and corresponding profile.



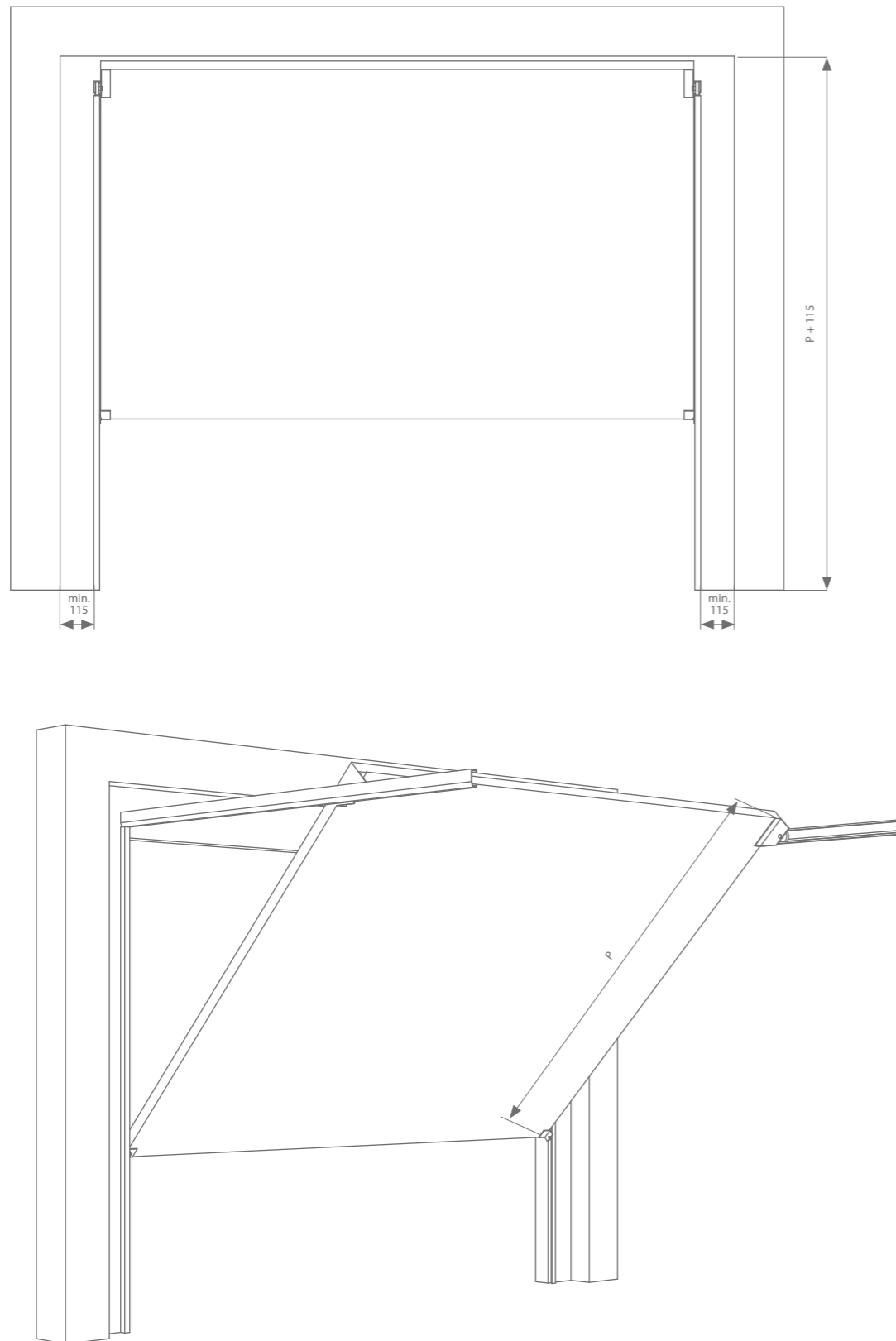
rob
713.000

The weights are placed in a space-saving casing to the left and right of the door. Of course, one cannot choose freely in the placement of the counterweights.

DOOR WEIGHT

MAX.
200
KG

Technical drawing



Profiles

The profiles bundle consists of:

- 2 upper profiles
- 2 U-profiles
- 2 suspension rails

Door height	Article number
1750 mm - 1950 mm	713.010.020
1950 mm - 2150 mm	713.020.020
2150 mm - 2350 mm	713.030.020
2350 mm - 2550 mm	713.040.020
2550 mm - 2750 mm	713.050.020
2750 mm - 3000 mm	713.060.020

Casing & containers

Casing and containers set consists of:

- Container casing
- Cover casing
- Plastic container

Door height	Article number
1750 mm - 1950 mm	713.010.030
1950 mm - 2150 mm	713.020.030
2150 mm - 2350 mm	713.030.030
2350 mm - 2550 mm	713.040.030
2550 mm - 2750 mm	713.050.030
2750 mm - 3000 mm	713.060.030

Parts

The box of parts consists of:

- 1 tension belt
- Left and right head piece
- Left and right load-bearing roller
- Left and right safety guide with cable
- End stopper
- Left and right casing fixation
- Pack of necessities

Door height	Article number
1750 mm - 1950 mm	713.010.050
1950 mm - 2150 mm	713.020.050
2150 mm - 2350 mm	713.030.050
2350 mm - 2550 mm	713.040.050
2550 mm - 2750 mm	713.050.050
2750 mm - 3000 mm	713.060.050

Weight

The container can be filled with an iron scrap to balance your door.
Required weight = door weight

	Article number
1 kg uncompressed counterweight*	700.010*

* Available per 10 kg.



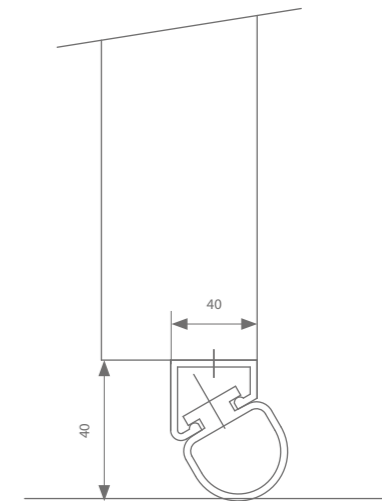
rob tilting doors
713.000

assemble your set 

Rubber seal with profile

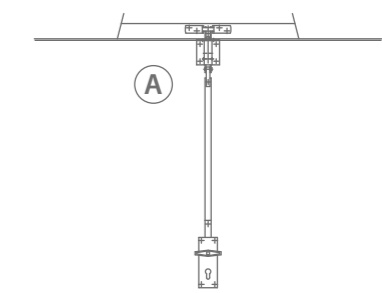
The rubber seal at the bottom of the door has the same installation dimensions as the safety strip for the automation. This allows the door to be safely automated later without having to modify the door leaf.

	Max. door width	Article number
Profile	3000 mm	712.808.300
	6000 mm	712.808.600
Rubber seal	3000 mm	712.809.300
	6000 mm	712.809.600



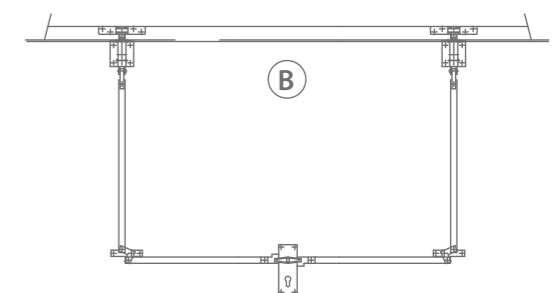
Lock fittings

	Galvanised	Black RAL 9005	Brown RAL 8019
Single-action lock fittings (A)	700.150	700.152	700.153
Double-action lock fittings (B)	700.140	700.142	700.143



+ lock bar according to door height (and width)

Length	Article number
750 mm	700.120.71
1000 mm	700.120.72
1500 mm	700.120.73
2000 mm	700.120.74
2500 mm	700.120.75
3000 mm	700.120.76



Additional suspension bars

It is possible to purchase additional suspension bars as an option.

Length	Article number
1000 mm	700.400
3000 mm	700.400.300



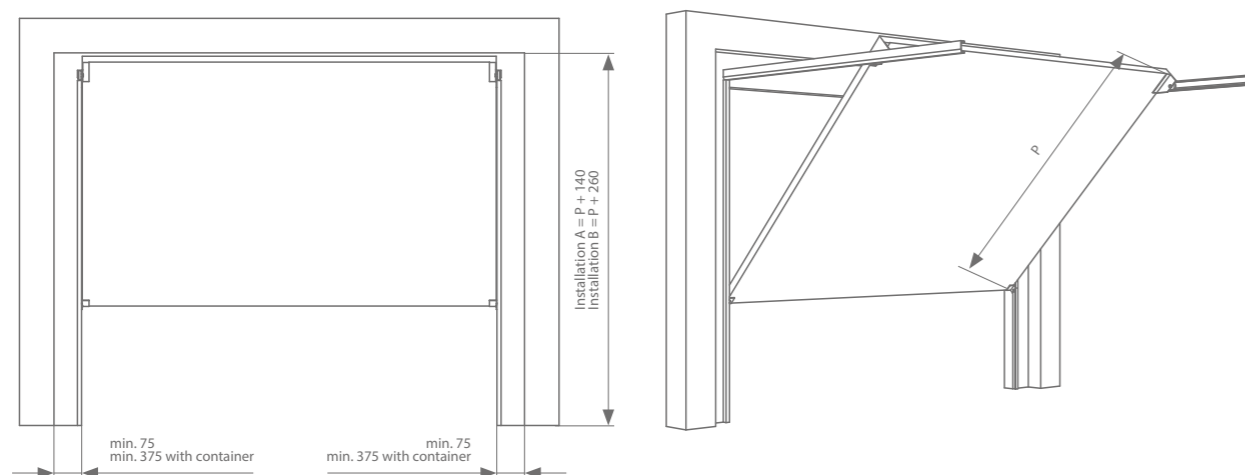
rob
715.000

The 200 kg door is also lifted by a counterweight with or without reduction. This weight can be placed anywhere. The side-mounted carrying wheels allows you to choose the panel's thickness.

DOOR WEIGHT

MAX.
200
KG

Technical drawing



Opening in open position:

installation A (vertical profile length = door height):

- in the open position, the door is still 130 mm in the opening

installation B (vertical profile length = door height + 120 mm):

- in the open position, the door is completely above the door opening

Profiles

The profiles bundle consists of:

- 2 upper profiles
- 2 U-profiles
- 4 suspension rails

Max. door height	Article number
2000 mm	715.010.020
2250 mm	715.020.020
2500 mm	715.030.020
2750 mm	715.040.020
3000 mm	715.050.020

Parts

The box of parts consists of:

- 1 tension belt
- 2 container hooks
- 4 or 6 brackets
- Left and right rotating head piece
- 2 pieces of load-bearing equipment with roller
- Left and right load-bearing roller
- Left and right safety guide
- Pack of necessities

Max. door height	Article number
2500 mm	715.010.050
3000 mm	715.040.050

Container

By using a reduction, the movement length of the counterweight is halved and there is certainly always sufficient height.

Version without reduction (weight = door weight / 2)	Article number	Version with reduction (weight = door weight)	Article number
Connection iron for load-bearing equipment	709.710	Connection iron for load-bearing equipment	709.820
Container 40 litres	709.210	2 x roller in threaded bracket	2 x 708.255
		Container 40 litres	709.220

Steel cable

4 mm steel cable consists of:

- Cable at length
- 2 cable clips
- 2 cable eyes



Cable length	Article number
12 m	703.040.012
20 m	703.040.020
25 m	703.040.025

Weight

The container can be filled with an iron scrap to balance your door.

A door without reduction

Weight = door weight / 2

A door with reduction

Weight = door weight

	Article number
1 kg uncompressed counterweight*	700.010*

* Available per 10 kg.



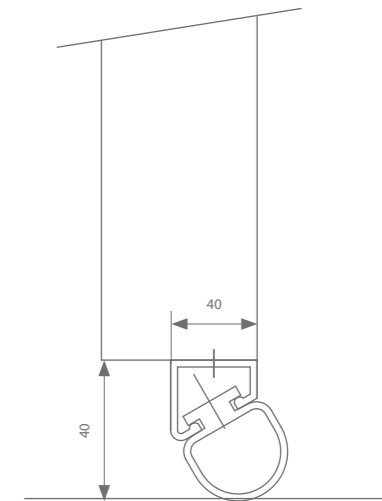
rob tilting doors
715.000

assemble your set 

Rubber seal with profile

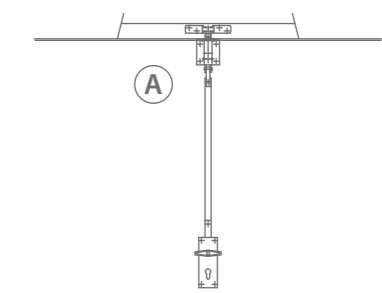
The rubber seal at the bottom of the door has the same installation dimensions as the safety strip for the automation. This allows the door to be safely automated later without having to modify the door leaf.

	Max. door width	Article number
Profile	3000 mm	712.808.300
	6000 mm	712.808.600
Rubber seal	3000 mm	712.809.300
	6000 mm	712.809.600



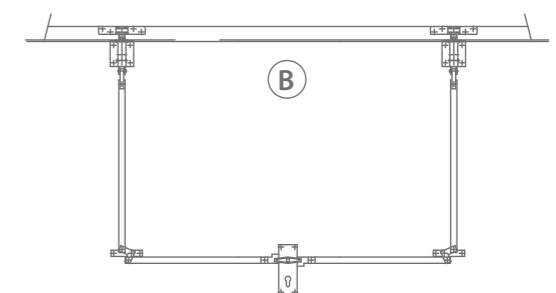
Lock fittings

	Galvanised	Black RAL 9005	Brown RAL 8019
Single-action lock fittings (A)	700.150	700.152	700.153
Double-action lock fittings (B)	700.140	700.142	700.143



+ lock rod according to door height (and width)

Length	Article number
750 mm	700.120.71
1000 mm	700.120.72
1500 mm	700.120.73
2000 mm	700.120.74
2500 mm	700.120.75
3000 mm	700.120.76



Additional suspension strips

It is possible to purchase additional suspension strips as an option.

Length	Article number
1000 mm	700.400
3000 mm	700.400.300



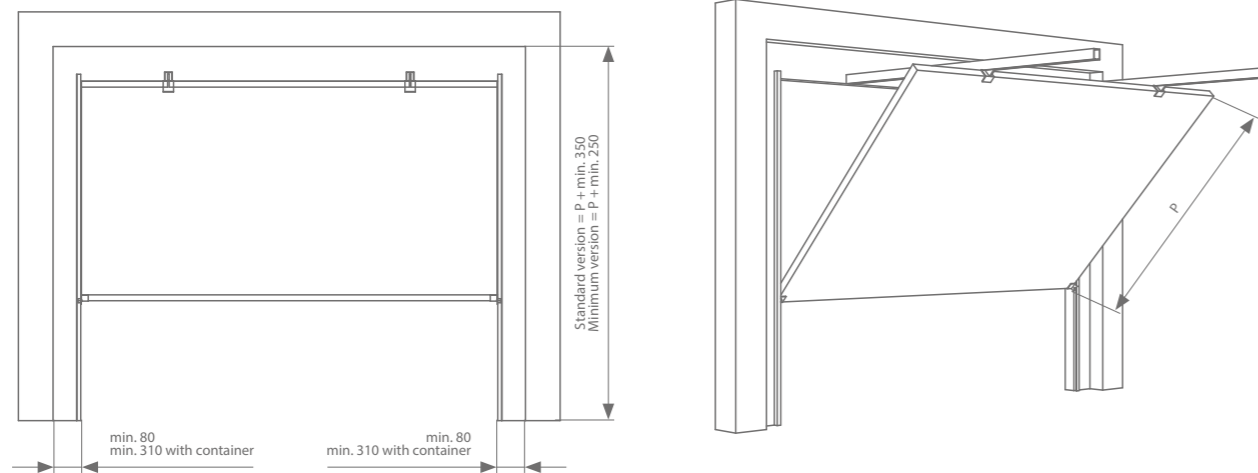
rob
716-726.000

The 300 kg door is also lifted by a counterweight with or without reduction. This weight can be placed anywhere. The overhead carrying wheels are equipped with heavy duty ball bearings to cope with this heavier door weight. If a thicker cladding is to be added to the door, it is best to choose an extended roller.

DOOR WEIGHT

MAX.
300
KG

Technical drawing



Opening in open position:

Normal version: door > opening (door thickness is min. 50 mm):
in the open position, The door is completely retracted above the structural opening

Minimum version:

- in the open position, the door remains 120mm in the structural opening

Profiles

The profiles bundle consists of:

- 2 upper profiles
- 2 U-profiles

Max. door height	Article number
2000 mm	716.010.010
2250 mm	716.020.010
2500 mm	716.030.010
2750 mm	716.040.010
3000 mm	716.050.010
3250 mm	716.060.010
3500 mm	716.070.010
3750 mm	716.080.010
4000 mm	716.090.010
4250 mm	716.000.425.01
4500 mm	716.000.450.01

Parts

The box of parts consists of:

- 6 or 8 threaded brackets
- Tension belt
- 6, 8, or 10 U-profile brackets
- Left and right rotating head piece
- 2 pieces of load-bearing equipment with roller
- 2 carrying plates
- 2 carrying wheels*
- Left and right safety guide
- Pack of necessities

Max. door height	Houten poorten	Metalen poorten
2250 mm	716.010.050	726.010.050
2500 mm	716.030.050	726.030.050
3000 mm	716.040.050	726.040.050
3250 mm	716.060.050	726.060.050
3500 mm	716.070.050	726.070.050
4000 mm	716.080.050	726.080.050
4500 mm	716.000.425.05	726.000.425.05

*The standard carrying wheels are not suitable for additional cladding. Extra cladding of 20 or 50 mm is possible upon request, for which we provide wheels with an accordingly adapted longer arm

Container

A version with reduction ensures a smaller movement so that the weight has sufficient space between the ceiling and floor; therefore, this is strongly recommended.

Version without reduction (weight = door weight / 2)	Article number	Version with reduction (weight = door weight)	Article number
Connection iron for load-bearing equipment	709.720	Connection iron for load-bearing equipment	709.740
Container 50 litres	709.220	2 x roller in threaded bracket	2 x 708.265
		Container 90 litres	709.240

Steel cable

5 mm steel cable consists of:

- Cable at length
- 2 cable clips
- 2 cable eyes



Cable length	Article number
25 m	703.050.025
50 m	703.050.050

Weight

The container can be filled with an iron scrap to balance your door.

A door without reduction

Weight = door weight / 2

A door with reduction

Weight = door weight

	Article number
1 kg uncompressed counterweight*	700.010*

* Available per 10 kg.



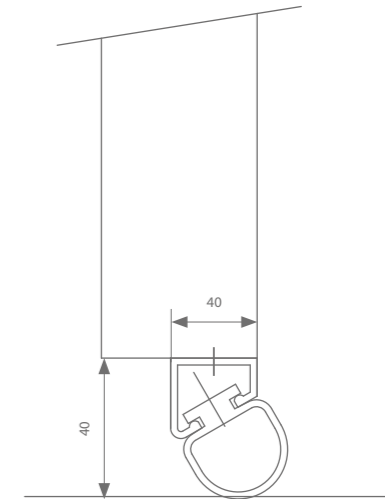
rob tilting doors
716-726.000

assemble your set 

Rubber seal with profile

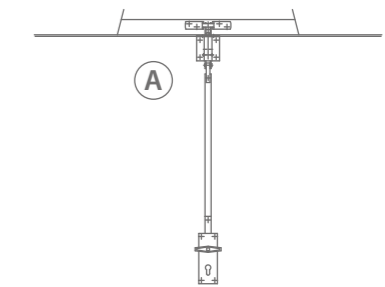
The rubber seal at the bottom of the door has the same installation dimensions as the safety strip for the automation. This allows the door to be safely automated later without having to modify the door leaf.

	Max. door width	Article number
Profile	3000 mm	712.808.300
	6000 mm	712.808.600
Rubber seal	3000 mm	712.809.300
	6000 mm	712.809.600



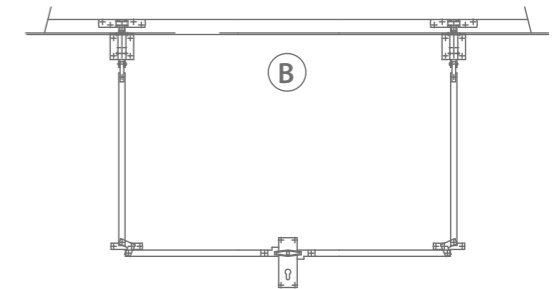
Lock fittings

	Galvanised	Black RAL 9005	Brown RAL 8019
Single-action lock fittings (A)	700.150	700.152	700.153
Double-action lock fittings (B)	700.140	700.142	700.143



+ lock rod according to door height (and width)

Length	Article number
750 mm	700.120.71
1000 mm	700.120.72
1500 mm	700.120.73
2000 mm	700.120.74
2500 mm	700.120.75
3000 mm	700.120.76
3500 mm	700.120.77



Additional suspension strips

It is possible to purchase additional suspension strips as an option.

Length	Article number
1000 mm	700.400
3000 mm	700.400.300



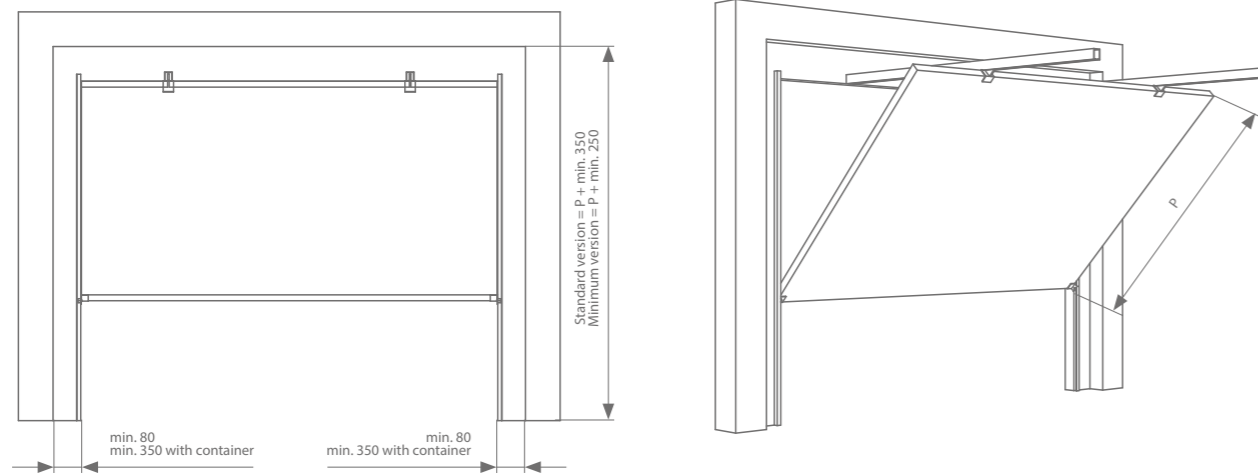
rob
717-727.000

The 600 kg door is also lifted by a counterweight with or without reduction. This weight can be placed anywhere. The overhead carrying wheels are equipped with heavy duty ball bearings to cope with this heavier door weight. If a thicker cladding is to be added to the door, it is best to choose an extended roller.

DOOR WEIGHT

MAX.
600
KG

Technical drawing



Opening in open position:

Normal version: door > opening (door thickness is min. 50 mm):
in the open position, the door is completely above the door opening

Minimum version:
in the open position, the door is still 120 mm in the opening

Profiles

The profiles bundle consists of:

- 2 upper profiles
- 2 U-profiles

Max. door height	Article number
2000 mm	717.010.010
2250 mm	717.020.010
2500 mm	717.030.010
2750 mm	717.040.010
3000 mm	717.050.010
3250 mm	717.060.010
3500 mm	717.070.010
3750 mm	717.080.010
4000 mm	717.090.010
4250 mm	717.000.425.01
4500 mm	717.000.450.01
4750 mm	717.000.475.01
5000 mm	717.000.500.01

Parts

The box of parts consists of:

- 4, 6 or 8 threaded brackets
- Tension belt
- 6, 8, or 10 U-profile brackets
- Left and right rotating head piece
- 2 pieces of load-bearing equipment with roller
- 2 carrying plates
- 2 carrying wheels*
- Left and right safety guide
- Pack of necessities

Max. door height	Houten poorten	Metalen poorten
2250 mm	717.010.050	727.010.050
2500 mm	717.030.050	727.030.050
3000 mm	717.040.050	727.040.050
3250 mm	717.060.050	
3500 mm	717.070.050	727.060.050
4000 mm	717.080.050	727.080.050
5000 mm	717.000.425.05	727.000.425.05

*The standard carrying wheels are not suitable for additional cladding. Extra cladding of 20 or 50 mm is possible upon request, for which we provide wheels with an accordingly adapted longer arm

Container

A version with reduction ensures a smaller movement so that the weight has sufficient space between the ceiling and floor; therefore, this is strongly recommended.

Version without reduction (weight = door weight / 2)		Article number		
Connection iron for load-bearing equipment				709.720
Container 90 litres				709.240
Version with reduction (weight = door weight)		Article number		
Connection iron for load-carrying equipment	709.740	709.750	709.760	709.770
2 x roller in threaded bracket	2 x 708.265	2 x 708.265	2 x 708.265	2 x 708.265
Container 90 litres	709.240 (90 l)	709.250 (110 l)	709.260 (130 l)	709.270 (150 l)

Steel cable (6 mm)

Cable length	Article number
25 m	703.060.025
50 m	703.060.050

Weight

The container can be filled with an iron scrap to balance your door.

A door without reduction

Weight = door weight / 2

A door with reduction

Weight = door weight

		Article number
1 kg uncompressed counterweight*		700.010*

* Available per 10 kg.



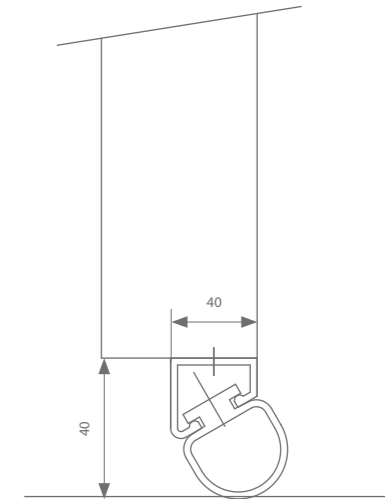
rob tilting doors
717-727.000

assemble your set 

Rubber seal with profile

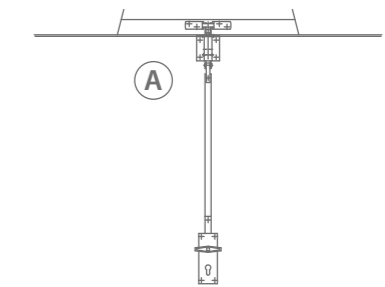
The rubber seal at the bottom of the door has the same installation dimensions as the safety strip for the automation. This allows the door to be safely automated later without having to modify the door leaf.

	Max. door width	Article number
Profile	3000 mm	712.808.300
	6000 mm	712.808.600
Rubber seal	3000 mm	712.809.300
	6000 mm	712.809.600



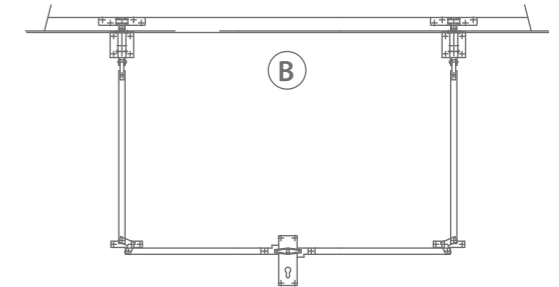
Lock fittings

	Galvanised	Black RAL 9005	Brown RAL 8019
Single-action lock fittings (A)	700.150	700.152	700.153
Double-action lock fittings (B)	700.140	700.142	700.143



+ lock rod according to door height (and width)

Length	Article number
750 mm	700.120.71
1000 mm	700.120.72
1500 mm	700.120.73
2000 mm	700.120.74
2500 mm	700.120.75
3000 mm	700.120.76
3500 mm	700.120.77



Additional suspension strips

It is possible to purchase additional suspension strips as an option.

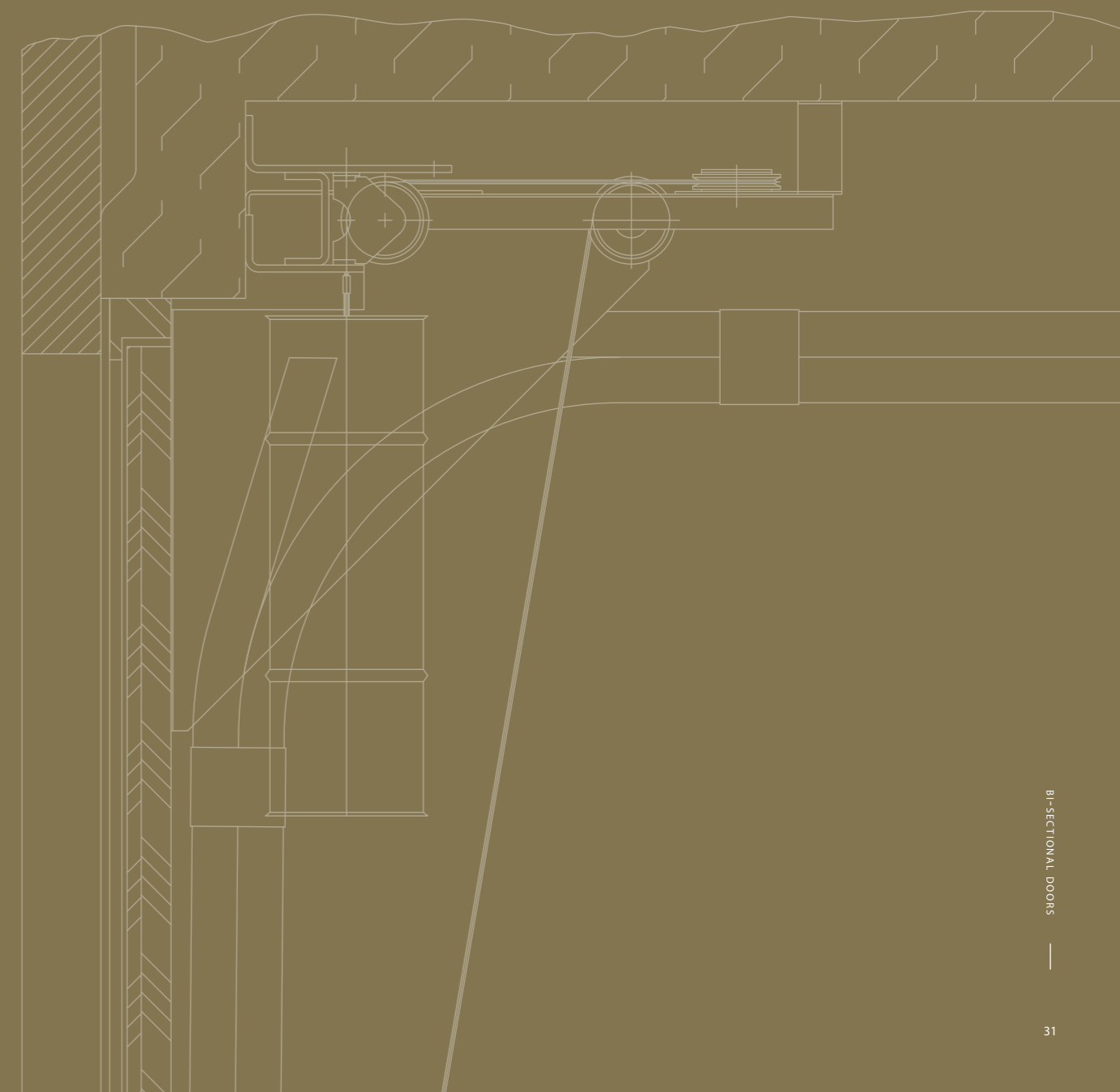
Length	Article number
1000 mm	700.400
3000 mm	700.400.300



02

BI-SECTIONAL DOORS

In a bisectonal door, the door is split into two panels. With a maximal weight of 250 kg per door, this system offers the option of an extremely sleek finish for wide doors. A weight with reduction helps users operate the door comfortably. The lower wheels are always equipped with a parachute protection to prevent the door from falling in the event of a cable rupture.





bi-sectional doors general info

In a bisectonal door, the door is split into two panels. With a maximal weight of 250 kg per door, this system offers the option of an extremely sleek finish for wide doors.



parachute protection

A Six rollers guide the two panels through its curved profiles. 2 rollers are placed at the hinges section of the door.

B Both panels are connected via multiple hinges that are incorporated into the finger guard. This finger guard prevents anyone from getting their fingers caught between the two panels and connects all the hinges together, creating a strong bond between between the two panels.

C A counterweight will help the door in its movement. Once correctly leveled, you will not need to make any further adjustments. A steel cable suspends the door to the counterweight and is equipped with a parachute safety device that will immediately engage into the vertical profiles in the event of cable rupture.

D As the door is non protruding, it may sit in a chambering .

E The bottom of the door is finished with a rubber seal and matching profile.



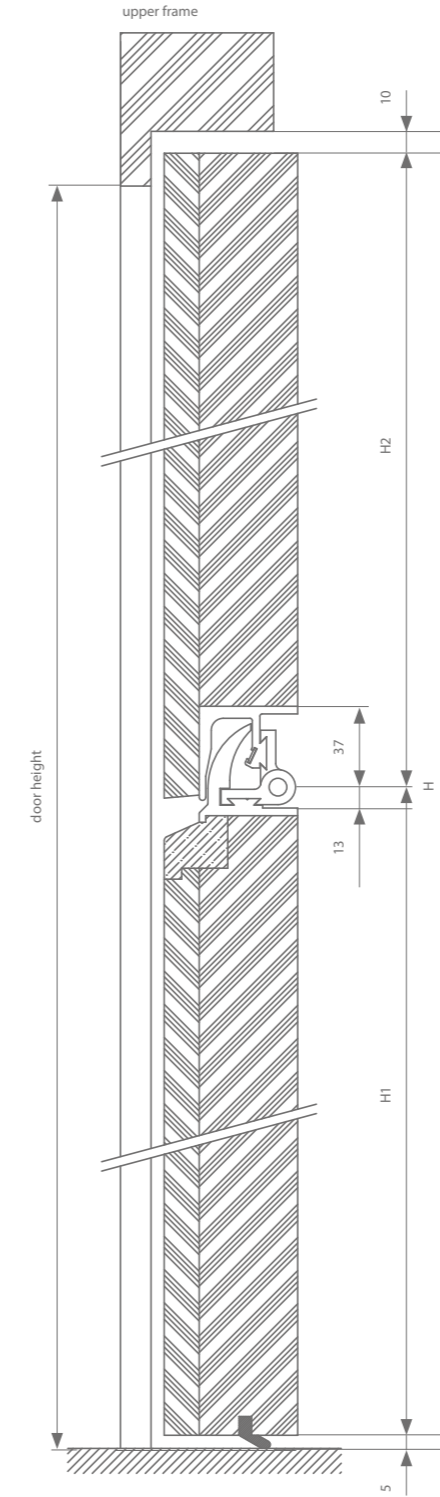
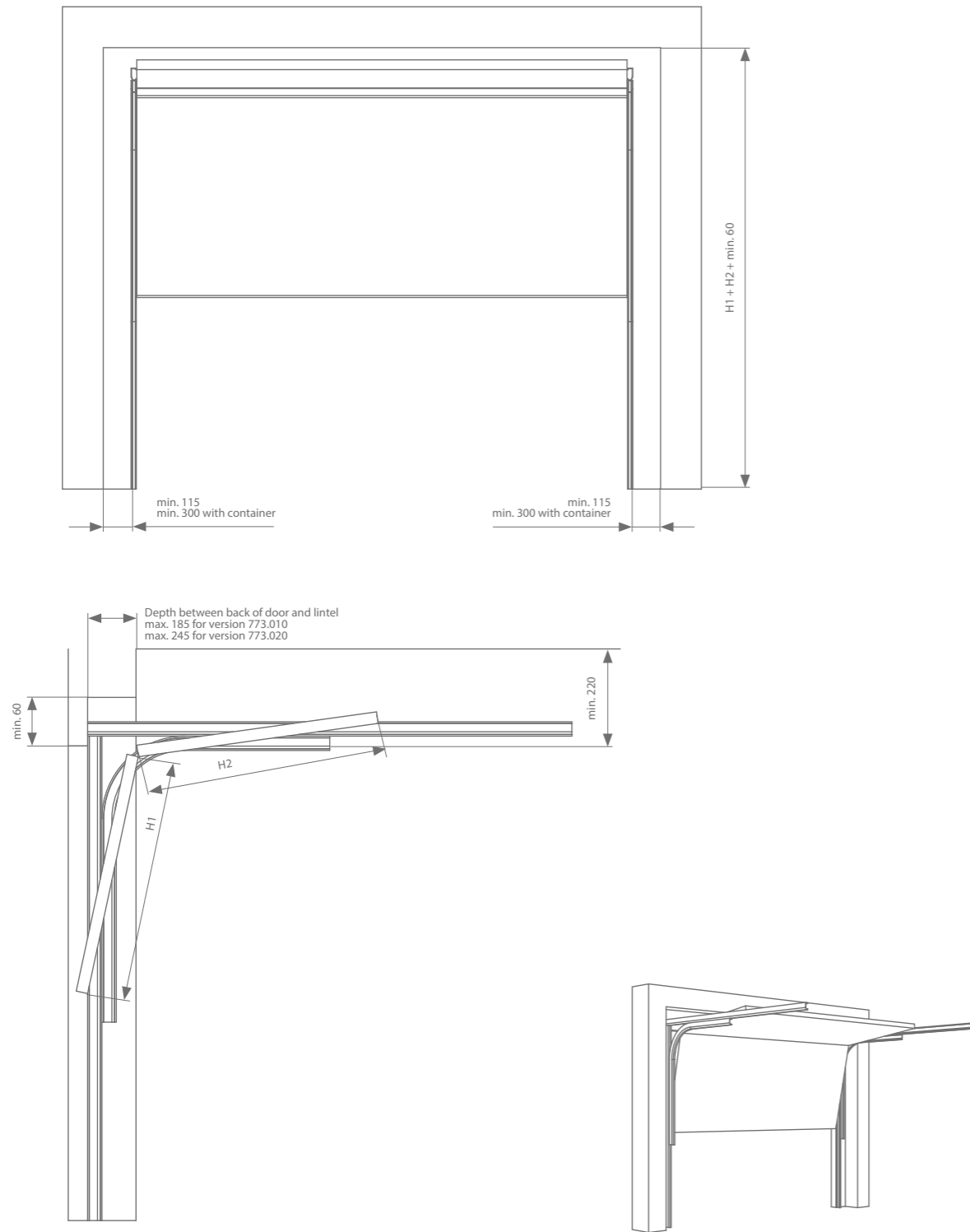
rob
773.000

Both panels of the door may weigh 120 kg together. This is connected to a counterweight in order to open the door smoothly. This weight can be hidden anywhere in the room.

DOOR WEIGHT

MAX.
120
KG

Technical drawing



H1	H2 (773.010)	H2 (773.020)	H
850	850-1250		1700-2100
860	860-1250		1720-2110
870	870-1250		1740-2120
880	880-1250		1760-2130
890	890-1250		1780-2140
900	900-1250		1800-2150
910	910-1250		1820-2160
920	920-1250		1840-2170
930	930-1250		1860-2180
940	940-1250		1880-2190
950	950-1250		1900-2200
960	960-1250		1920-2210
970	970-1250		1940-2220
980	980-1250		1960-2230
990	990-1250		1980-2240
1000	1000-1250		2000-2250
1010	1010-1250		2020-2260
1020	1020-1250		2040-2270
1030	1030-1250		2060-2280
1040	1040-1250		2080-2290
1050	1050-1250	1050-1500	2100-2300/2550
1060		1060-1500	2120-2560
1070		1070-1500	2140-2570
1080		1080-1500	2160-2580
1090		1090-1500	2180-2590
1100		1100-1500	2200-2600
1110		1110-1500	2220-2610
1120		1120-1500	2240-2620
1130		1130-1500	2260-2630
1140		1140-1500	2280-2640
1150		1150-1500	2300-2650

Opening in open position:

in the open position, the door is completely above the door opening

Profiles

The first profiles bundle consists of:

- 4 upper profiles
- 2 safety profiles
- 3 suspension rails

The second profiles bundle consists of:

- 2 bends
- 2 profiles
- Left and right fixation bracket
- Tension belt

Version	Article number	Version	Article number
773.010	773.010.020	773.010	773.010.030
773.020	773.020.020	773.020	773.020.030

Parts

The box of parts consists of:

- Left and right adjustable head piece
- 2 upper load-bearing rollers
- Left and right load-bearing rollers
- Left and right safety
- Left and right door plate
- 10 brackets
- 2 stoppers
- 2 pieces of load-bearing equipment with roller
- Pack of necessities

Version	Article number
773.010 & 773.020	773.010.050

Container

Version with 1 container (weight = 84% door weight)	Article number
2 x container support bracket	
Container 40 litres	709.210

Steel cable

4 mm twist-free steel wire

Cable length	Article number
12 m	703.041.012
20 m	703.041.025

Weight

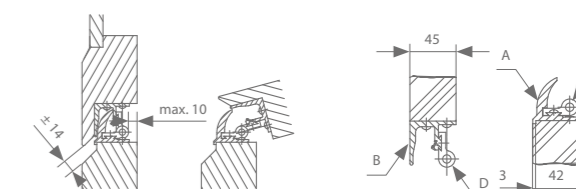
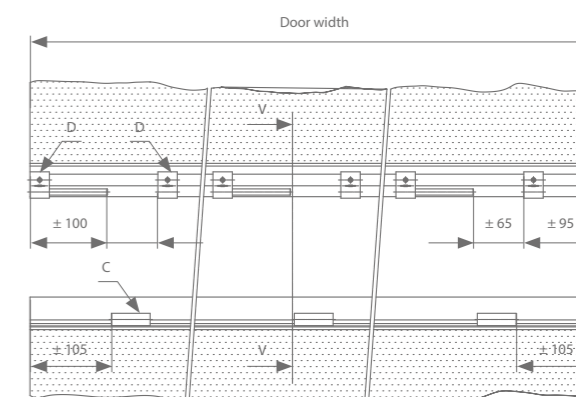
The container can be filled with iron scrap to balance your door.
Required weight = 84% of door weight

	Article number
1 kg uncompressed counterweight*	700.010*

* Available per 10 kg.

Finger protection (incl. hinges)

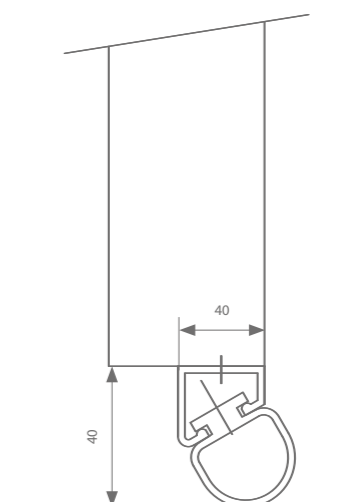
Max. door width	Article number
2250 mm	773.808.225.0
2500 mm	773.808.250.0
2750 mm	773.808.275.0
3000 mm	773.808.300.0
3500 mm	773.808.350.0
4000 mm	773.808.400.0
5000 mm	773.808.500.0
6000 mm	773.808.600.0



Rubber seal with profile

The rubber seal at the bottom of the door has the same installation dimensions as the safety strip for the automation. This allows the door to be safely automated later without having to modify the door leaf.

	Max. door width	Article number
Profile	3000 mm	712.808.300
	6000 mm	712.808.600
Rubber seal	3000 mm	712.809.300
	6000 mm	712.809.600





rob bi-sectional doors
773.000

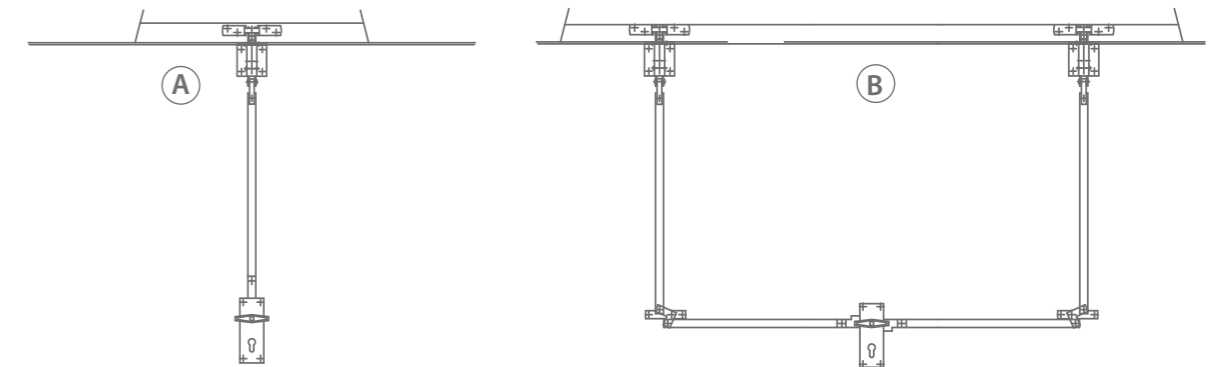
assemble your set 

Lock fittings

	Galvanised	Black RAL 9005	Brown RAL 8019
Single-action lock fittings (A)	700.150	700.152	700.153
Double-action lock fittings (B)	700.140	700.142	700.143

+ lock rod according to door height (and width)

Length	Article number
750 mm	700.120.71
1000 mm	700.120.72
1500 mm	700.120.73
2000 mm	700.120.74
2500 mm	700.120.75
3000 mm	700.120.76



Additional suspension profiles

It is possible to purchase additional suspension bars as an option.

Length	Article number
1000 mm	700.400
3000 mm	700.400.300

Brush strip

Length	Article number
3000 mm	773.829.300



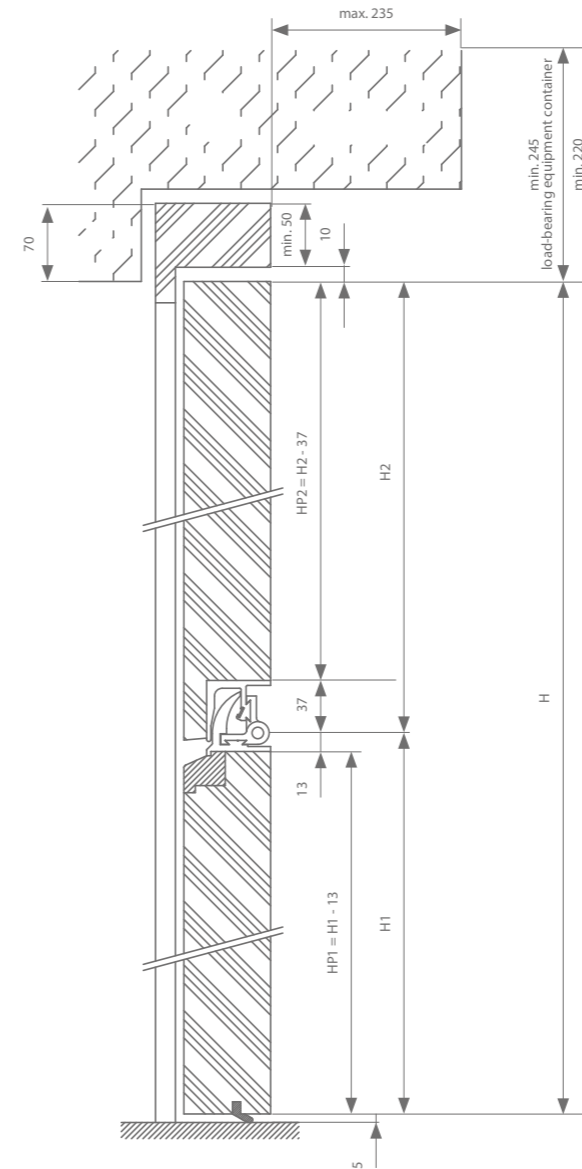
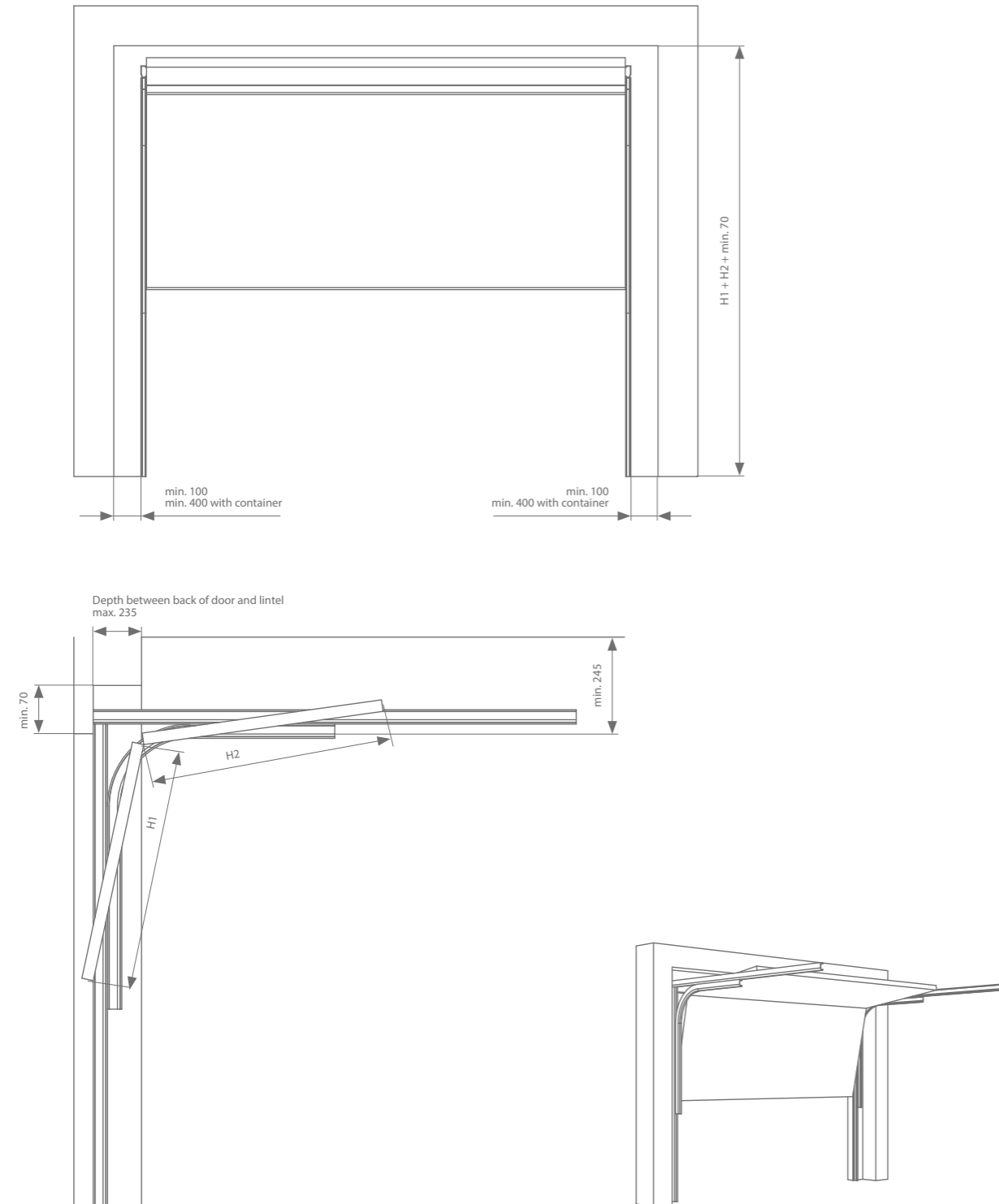
rob
774.000

Both panels of the door may weigh 250 kg together. This is connected to a counterweight in order to open the door smoothly. This weight already has an ingenious built-in reduction system.

DOOR WEIGHT

MAX.
250
KG

Technical drawing



Profiles

The first profiles bundle consists of:

- Left and right safety profile
- 2 profiles

Door height	Article number
Till 2250 mm	774.020.020
2250 mm - 2500 mm	774.030.020
2500 mm - 2750 mm	774.040.020
2750 - 3000 mm	774.050.020

The second profiles bundle consists of:

- Left and right upper profile
- 4 suspension rails
- Threaded rod with spring

Door height	Article number
Till 2250 mm	774.020.030
2250 mm - 2500 mm	774.030.030
2500 mm - 2750 mm	774.040.030
2750 - 3000 mm	774.050.030

Opening in open position:

in the open position, the door is completely above the door opening
Difference between clearances and daylight height = 120 mm

Door height	H2* - H1* =
Till 2250 mm	Max. 300 mm
2250 mm - 2500 mm	Max. 300 mm
2500 mm - 2750 mm	Max. 350 mm
2750 - 3000 mm	Max. 350 mm

*H1 is smaller than or equal to H2

Bundle with left and right bend

Door height	Article number
Till 2250 mm	774.020.010
2250 mm - 2500 mm	774.020.010
2500 mm - 2750 mm	774.020.010
2750 - 3000 mm	774.020.010



rob bi-sectional doors
774.000

assemble your set 

Parts

The box of parts consists of:

- 2 head pieces
- 2 upper load-bearing rollers
- 2 middle load-bearing rollers
- Left and right safety
- Tension belt
- Connection brackets
- Container

Door height	Article number
Tot 3000 mm	774.010.050

Steel cable

5 mm steel cable for doors weighing up to 225 kg

Cable length	Article number
25 m	703.050.025
50 m	703.050.050

OR 6 mm cable for doors weighing up to 250 kg

Cable length	Article number
25 m	703.060.025
50 m	703.060.050

Weight

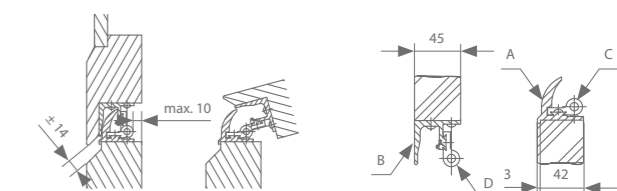
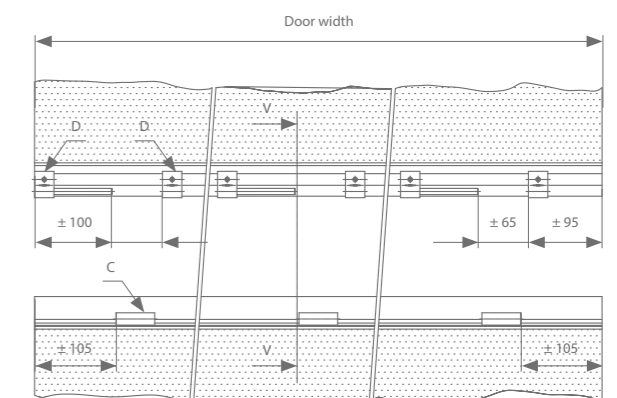
The container can be filled with iron scrap to balance your door.
Required weight = 70% of door weight

	Article number
1 kg uncompressed counterweight*	700.010*

* Available per 10 kg.

Finger protection (incl. hinges)

Max. door width	Article number
2250 mm	773.808.225.0
2500 mm	773.808.250.0
2750 mm	773.808.275.0
3000 mm	773.808.300.0
3500 mm	773.808.350.0
4000 mm	773.808.400.0
5000 mm	773.808.500.0
6000 mm	773.808.600.0



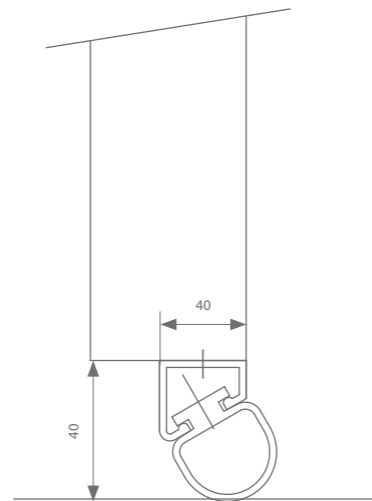
rob bi-sectional doors
774.000

assemble your set 

Rubber seal with profile

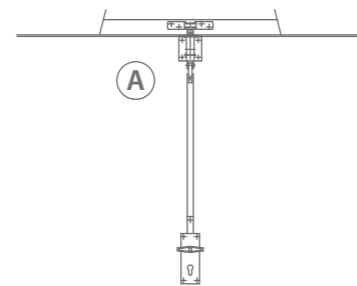
The rubber seal at the bottom of the door has the same installation dimensions as the safety strip for the automation. This allows the door to be safely automated later without having to modify the door leaf.

	Max. door width	Article number
Profile	3000 mm	712.808.300
	6000 mm	712.808.600
Rubber seal	3000 mm	712.809.300
	6000 mm	712.809.600



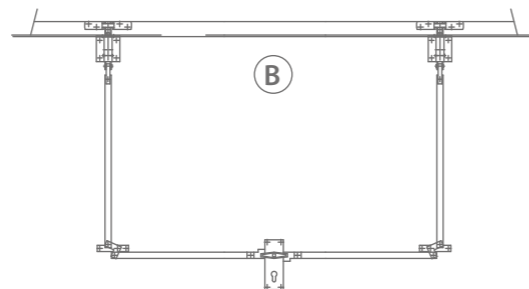
Lock fittings

	Galvanised	Black RAL 9005	Brown RAL 8019
Single-action lock fittings (A)	700.150	700.152	700.153
Double-action lock fittings (B)	700.140	700.142	700.143



+ lock bar according to door height (and width)

Length	Article number
750 mm	700.120.71
1000 mm	700.120.72
1500 mm	700.120.73
2000 mm	700.120.74
2500 mm	700.120.75
3000 mm	700.120.76



Additional suspension profiles

It is possible to purchase additional suspension bars as an option.

Length	Article number
1000 mm	700.400
3000 mm	700.400.300

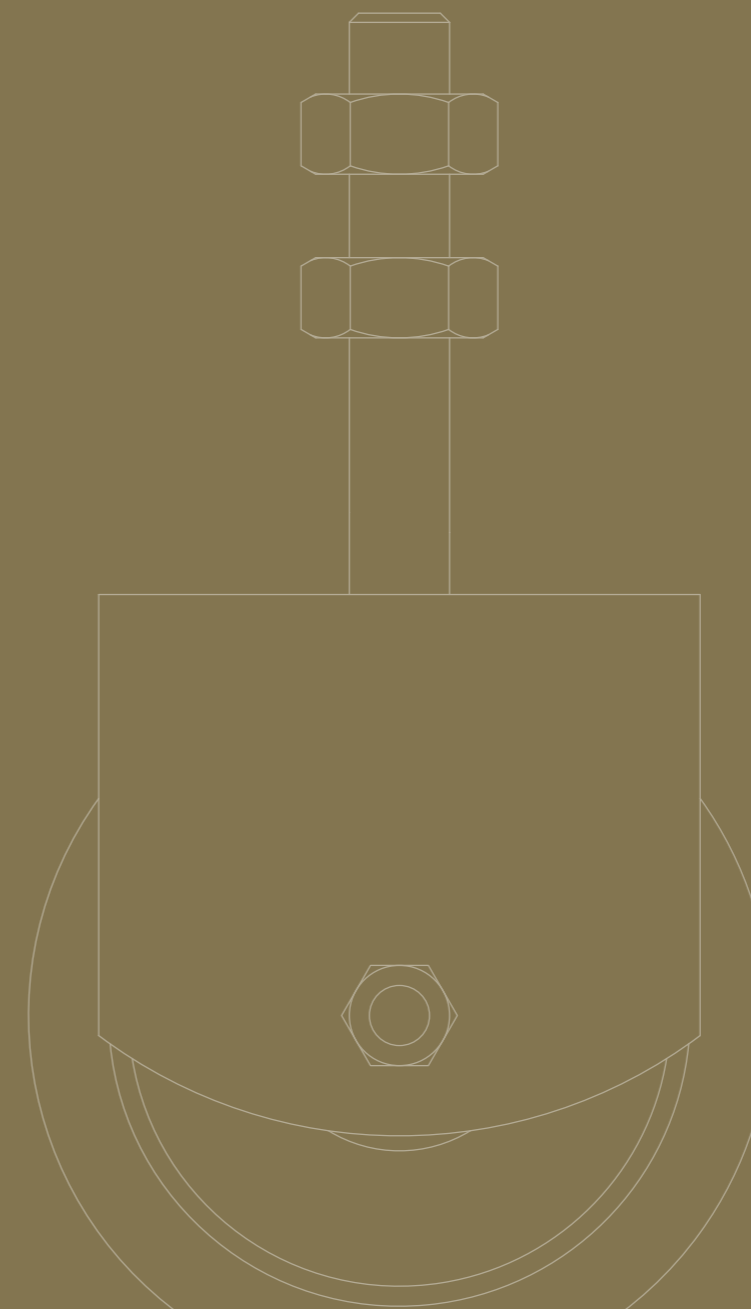
Brush strip

Length	Article number
3000 mm	773.829.300

03

CABLE WHEELS

Cable wheels can be used for all kinds of industrial applications. Loose wheels or wheels on a wall bracket or a threaded rod offer sufficient variety to meet any set-up.





Cable wheels

assemble your set



	Cable ø3mm Cable wheel ø75mm	Cable ø4mm Cable wheel ø100mm	Cable ø5mm Cable wheel ø135mm	Cable ø6mm Cable wheel ø135mm
Axle roller	708.145	708.155	708.165	708.165
Roller in bracket, threaded	708.245	708.255	708.265	708.275
load-carrying equipment with roller	/	715.555	716.555	716.555

708.145



708.155



708.165



708.245



708.255



708.265



708.275



715.555



716.555





Ter Vlucht 2 +32 (0)51 27 05 00
8850 Ardoonie info@arlu.be
Belgium WWW.ARLU.BE



©L3000071 03/24 English