



# HINGES





## ARLU, THE REFERENCE FOR OPENING DOORS

ARLU® is the manufacturer behind the brand names argenta® and rob®. Argenta has been a leading brand in door hardware for over 100 years, but today it is mainly synonymous with invisible door systems.

Minimalist architecture swears by clean lines and a "back to the essence" mentality. In terms of interior doors, this results in integrated door fittings, invisible integrated techniques, door frames and skirting boards for revolving, sliding and pivoting doors.

Argenta stands for a full range of sleek interior solutions.

ALL TECHNICAL DRAWINGS ARE SHOWN IN MILLIMETRES AND ARE SUBJECT TO CHANGE BY ARLU.

## 01

### ALUMINIUM SPLIT HINGES

- 4 hinge 80/80
- 10 hinge 89/89
- 13 hinge 100/85
- 18 hinge 100/100
- 20 cranked hinge
- 21 universal hinges
- 23 self-closing hinges  
argenta® close

## 02

### STAINLESS STEEL SPLIT HINGES

- 26 hinge 80/80
- 30 hinge 89/89
- 32 cranked hinge 100/64A
- 33 hinge 100/86
- 37 hinge 100/78
- 38 hinge 120/86A
- 39 sarana® hinge

## 03

### STEEL SPLIT HINGES

- 46 five-knuckle hinge

## 04

### SPRING HINGES

## 05

### ACCESSORIES

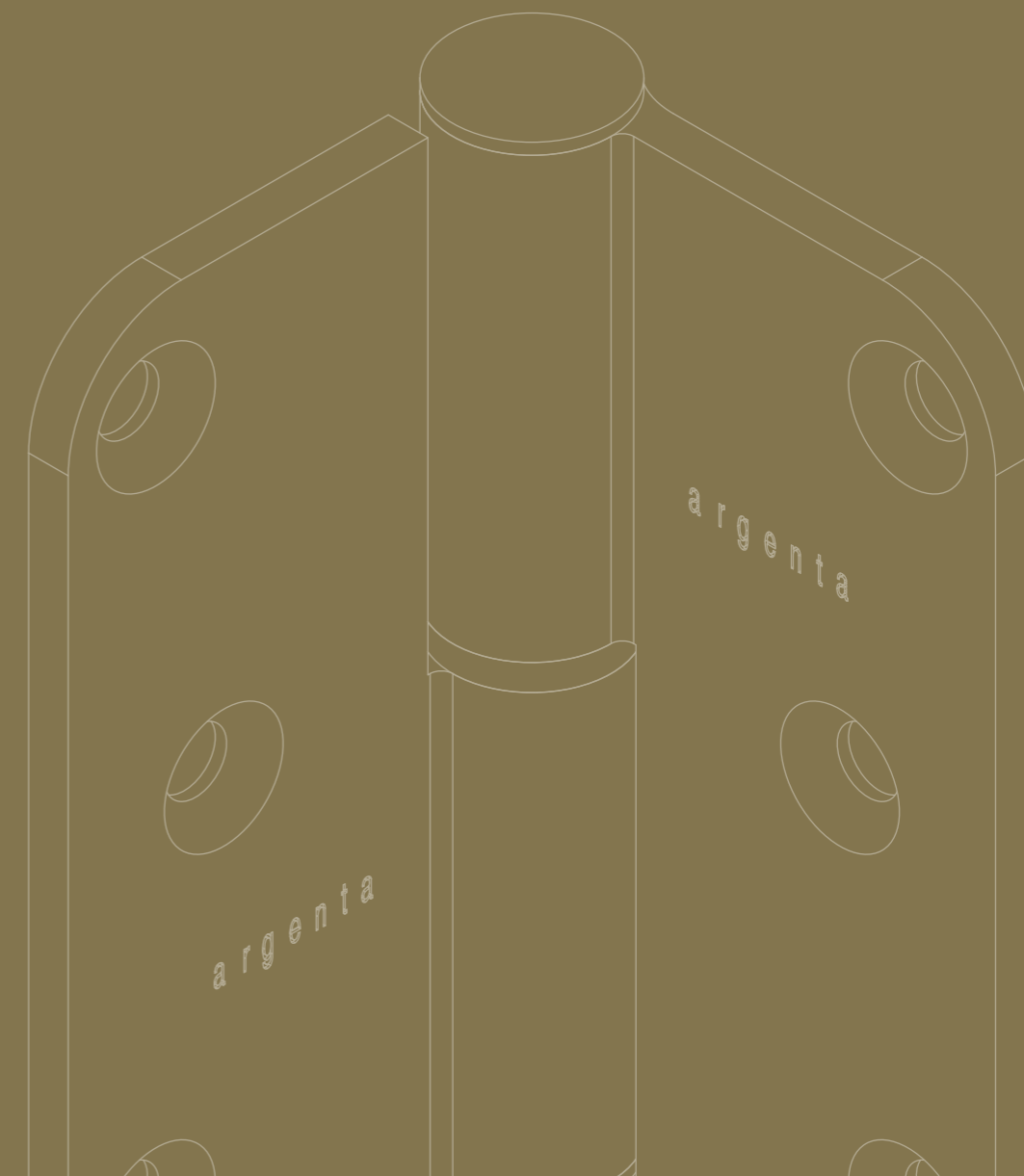
## 06

### OVERVIEW

# 01

## ALUMINIUM SPLIT HINGES

Thanks to their superior technical properties, argenta®'s aluminium split hinges have been the ultimate point of reference in their field for years. With their wear-resistant UPVC bush, dimensional stability and high load-bearing capacity, these split hinges can be used in both residential settings and development projects. The split hinges are available in different colours, with or without pyramid or vase finials. On top of that, the self-closing argenta close split hinges give you the option of an automatically closing door without the need to add an extra door closer.



hinges 80/80

## hinge 80/80A closed

### Version

left or right model

With electrolytically zinc-plated pin from drawn steel, fitted with a nylon collet in the same colour as the hinge. Also available with stainless steel pin. Fire certificate Rf 30 available (in accordance with NBN 713.020:1968, EN 1634-1:2000)

### Available accessories:

- universal argenta® milling template
- appropriate screws

### Material

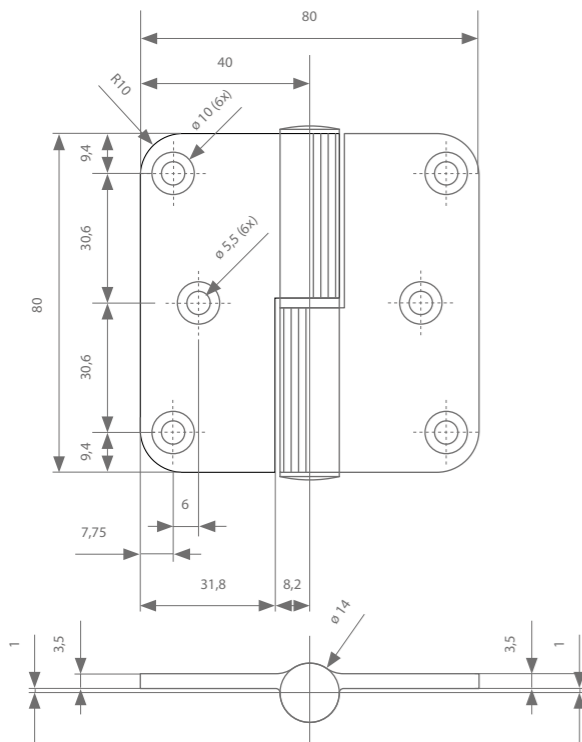
Aluminium

### Finish

- F1, F2, RAL std, CU, BR, NI, CF, CHR, CU mat, INL
- Other RAL- colours are available from 500 pieces per direction of rotation. Please contact our sales department for more information.



### Technical drawing



### Technical properties

Size	80 mm / 80 mm
Knuckle	$\varnothing 14$ mm
Leaf width	31,8 mm 'closed'
Leaf thickness	3,5 mm
Pin	8 mm

hinges 80/80

## hinge 80/80A closed with vase finial

### Version

left or right model

With electrolytically zinc-plated pin from drawn steel, fitted with a nylon collet in the same colour as the hinge. Also available with stainless steel pin. Fire certificate Rf 30 available (in accordance with NBN 713.020:1968, EN 1634-1:2000)

### Available accessories:

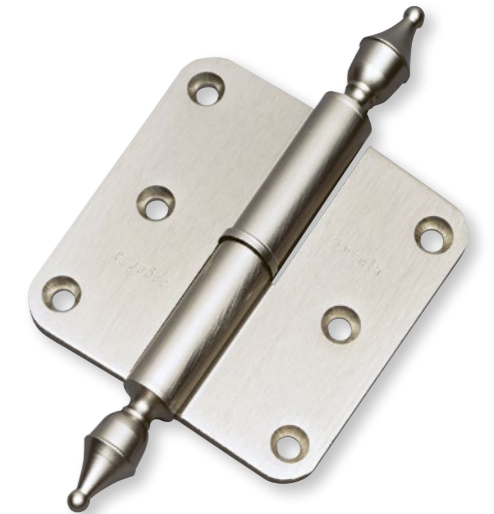
- universal argenta® milling template
- appropriate screws

### Material

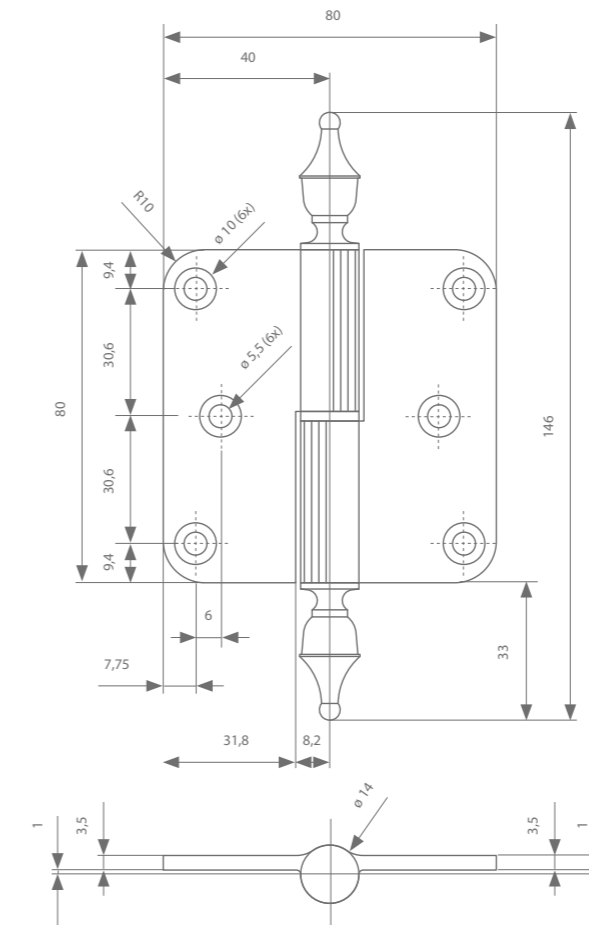
Aluminium

### Finish

- RAL std, CU1, BR1, CU1 mat, INL1
- Other RAL- colours are available from 500 pieces per direction of rotation. Please contact our sales department for more information.



### Technical drawing



### Technical properties

Size	80 mm / 80 mm
Knuckle	$\varnothing 14$ mm
Leaf width	31,8 mm 'closed'
Leaf thickness	3,5 mm
Pin	8 mm

hinges 80/80

## hinge 80/80A closed with pyramid finial

### Version

left or right model

With electrolytically zinc-plated pin from drawn steel, fitted with a nylon collet in the same colour as the hinge. Also available with stainless steel pin. Fire certificate Rf 30 available (in accordance with NBN 713.020:1968, EN 1634-1:2000)

### Available accessories:

- universal argenta® milling template
- appropriate screws

### Material

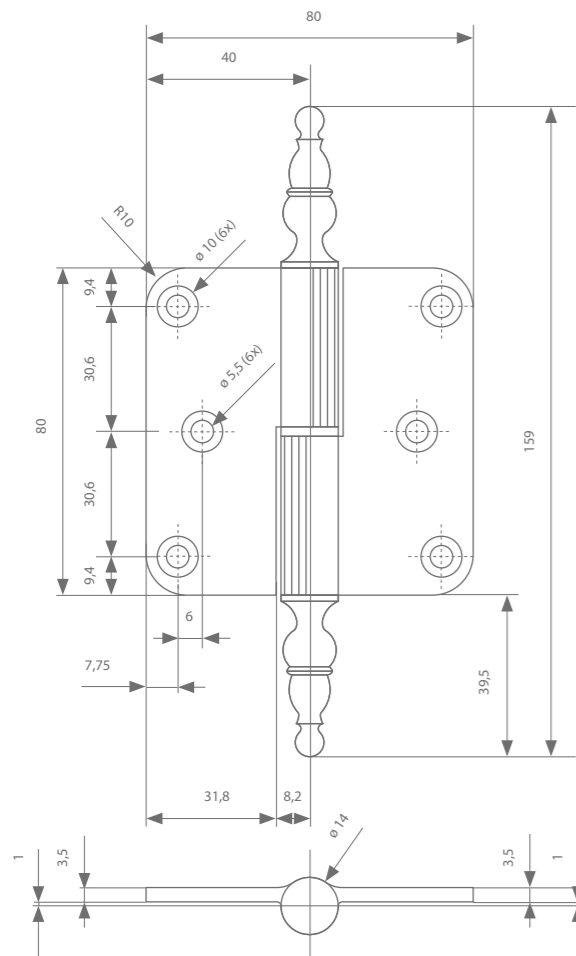
Aluminium

### Finish

- RAL std, CU2, BR2, CU2 mat, INL2
- Other RAL- colours are available from 500 pieces per direction of rotation. Please contact our sales department for more information.



### Technical drawing



### Technical properties

Size	80 mm / 80 mm
Knuckle	Ø 14 mm
Leaf width	31,8 mm 'closed'
Leaf thickness	3,5 mm
Pin	8 mm

hinges 80/80

## hinge 80/80A open

### Version

left or right model

With electrolytically zinc-plated pin from drawn steel, fitted with a nylon collet in the same colour as the hinge. Also available with stainless steel pin. Fire certificate Rf 30 available (in accordance with NBN 713.020:1968, EN 1634-1:2000)

### Available accessories:

- universal argenta® milling template
- appropriate screws

### Material

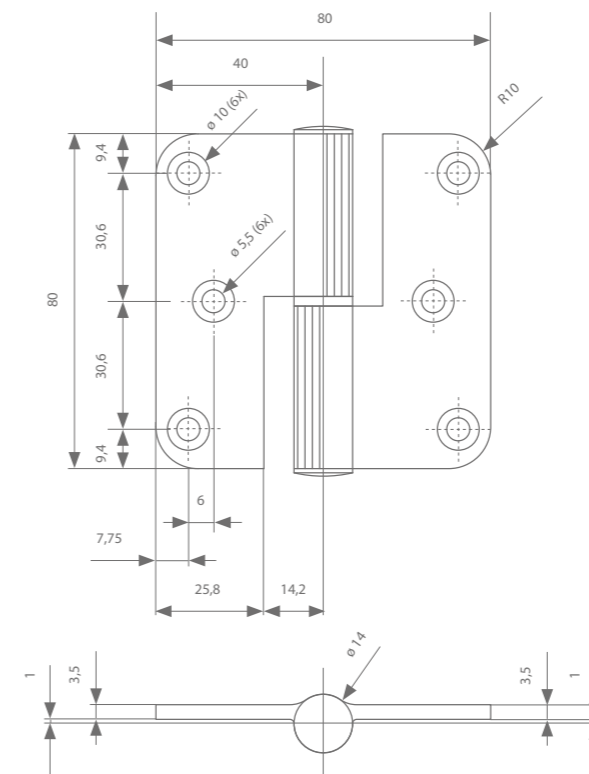
Aluminium

### Finish

- F1, RAL 9010, RAL 8022
- Other RAL- colours are available from 500 pieces per direction of rotation. Please contact our sales department for more information.



### Technical drawing



### Technical properties

Size	80 mm / 80 mm
Knuckle	Ø 14 mm
Leaf width	25,8 mm 'open'
Leaf thickness	3,5 mm
Pin	8 mm

hinges 80/80  
hinge 80/80 open

**Version**

left or right model

With electrolytically zinc-plated pin from drawn steel, fitted with a nylon collet in the same colour as the hinge. Also available with stainless steel pin. Fire certificate Rf 30 available (in accordance with NBN 713.020:1968, EN 1634-1:2000)

**Available accessories:**

- universal argenta® milling template
- appropriate screws

**Material**

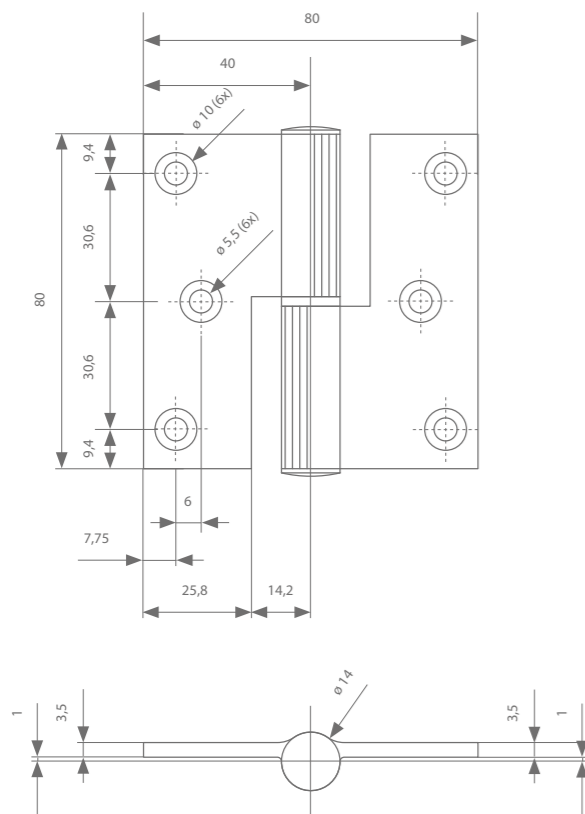
Aluminium

**Finish**

- F1
- Other RAL- colours are available from 500 pieces per direction of rotation. Please contact our sales department for more information.



Technical drawing



Technical properties

Size	80 mm / 80 mm
Knuckle	Ø 14 mm
Leaf width	25,8 mm 'open'
Leaf thickness	3,5 mm
Pin	8 mm

hinges 80/80  
hinge 80/80 closed

**Version**

left or right model

With electrolytically zinc-plated pin from drawn steel, fitted with a nylon collet in the same colour as the hinge. Also available with stainless steel pin. Fire certificate Rf 30 available (in accordance with NBN 713.020:1968, EN 1634-1:2000)

**Available accessories:**

- universal argenta® milling template
- appropriate screws

**Material**

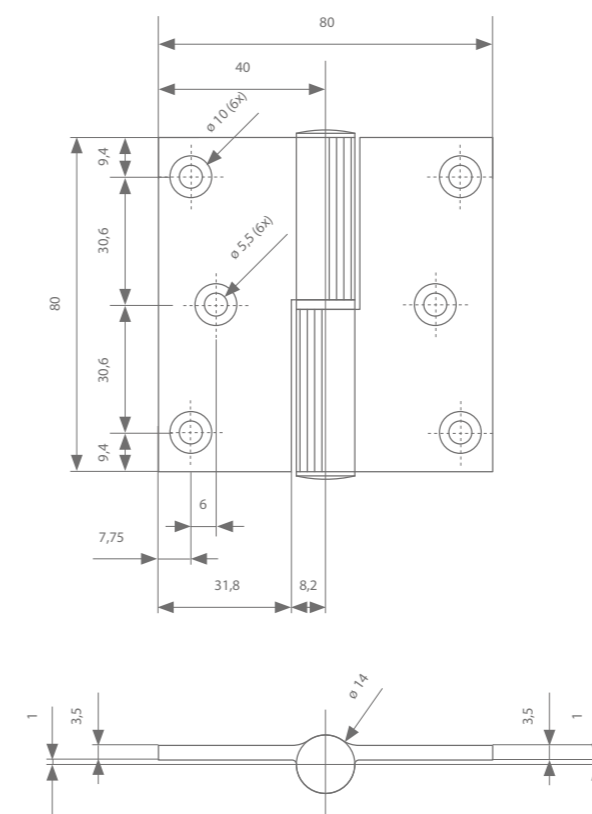
Aluminium

**Finish**

- F1, RAL std
- Other RAL- colours are available from 500 pieces per direction of rotation. Please contact our sales department for more information.



Technical drawing



Technical properties

Size	80 mm / 80 mm
Knuckle	Ø 14 mm
Leaf width	31,8 mm 'closed'
Leaf thickness	3,5 mm
Pin	8 mm

hinges 89/89

## hinge 89/89A closed

### Version

left or right model

With electrolytically zinc-plated pin from drawn steel, fitted with a nylon collet in the same colour as the hinge. Also available with stainless steel pin.

### Available accessories:

- universal argenta® milling template
- appropriate screws

### Material

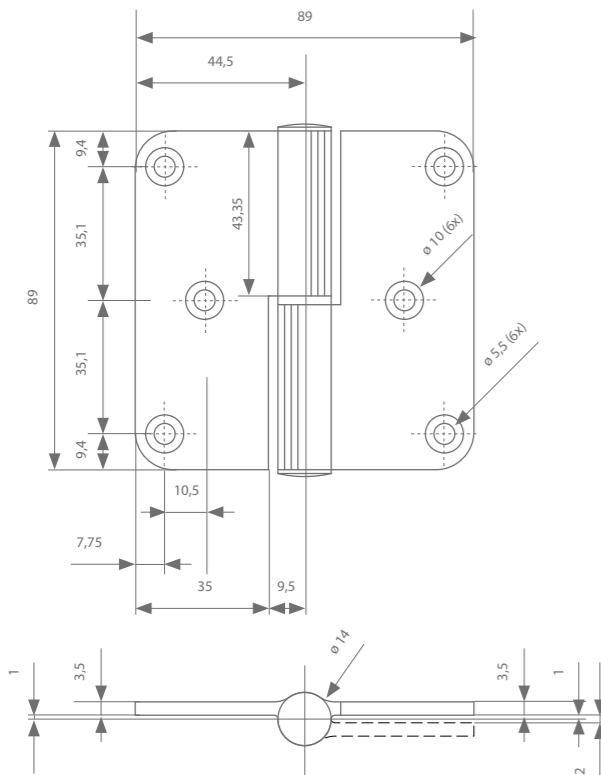
Aluminium

### Finish

- F1, RAL 9010, CU, CHR, CU mat, INL
- Other RAL- colours are available from 500 pieces per direction of rotation. Please contact our sales department for more information.



### Technical drawing



### Technical properties

Size	89 mm / 89 mm
Knuckle	Ø 14 mm
Leaf width	35 mm 'closed'
Leaf thickness	3,5 mm
Pin	8 mm

hinges 89/89

## hinge 89/89A closed with vase finial

### Version

left or right model

With electrolytically zinc-plated pin from drawn steel, fitted with a nylon collet in the same colour as the hinge. Also available with stainless steel pin.

### Available accessories:

- universal argenta® milling template
- appropriate screws

### Material

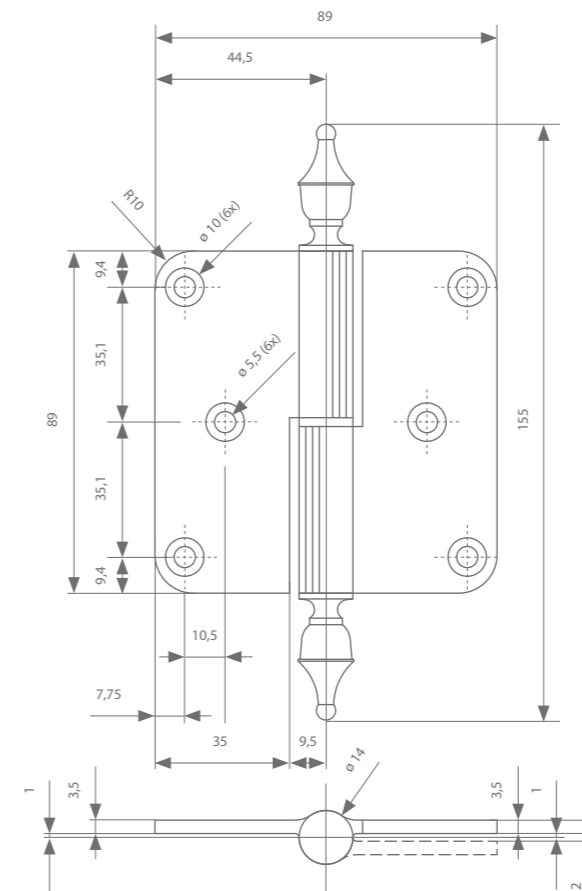
Aluminium

### Finish

- CU1
- Other RAL- colours are available from 500 pieces per direction of rotation. Please contact our sales department for more information.



### Technical drawing



### Technical properties

Size	89 mm / 89 mm
Knuckle	Ø 14 mm
Leaf width	35 mm 'closed'
Leaf thickness	3,5 mm
Pin	8 mm

hinges 89/89

hinge 89/89A closed with pyramid finial

**Version**

left or right model

With electrolytically zinc-plated pin from drawn steel, fitted with a nylon collet in the same colour as the hinge. Also available with stainless steel pin.

**Available accessories:**

- universal argenta® milling template
- appropriate screws

**Material**

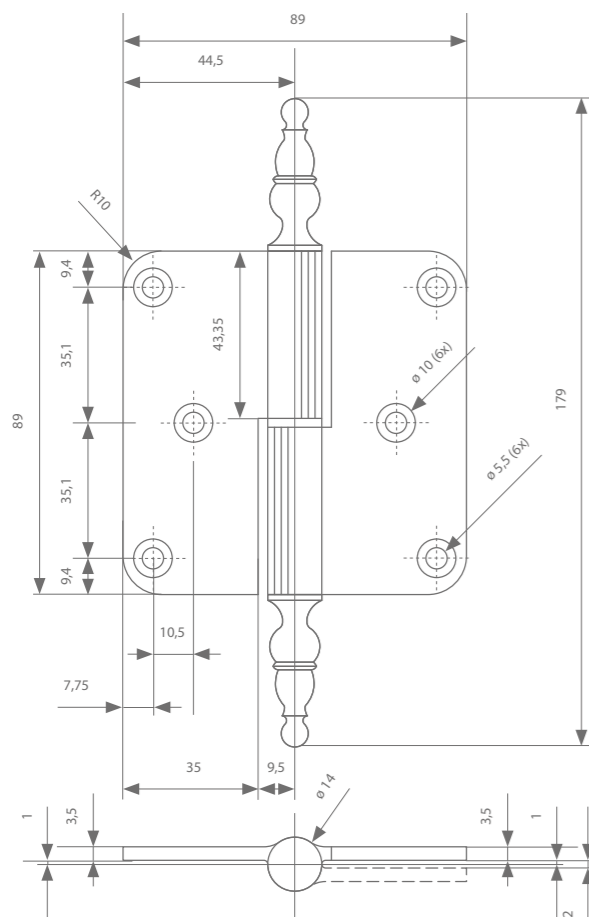
Aluminium

**Finish**

- CU2, BR2, NI2
- Other RAL- colours are available from 500 pieces per direction of rotation. Please contact our sales department for more information.



Technical drawing



Technical properties

Size	89 mm / 89 mm
Knuckle	Ø 14 mm
Leaf width	35 mm 'closed'
Leaf thickness	3,5 mm
Pin	8 mm

hinges 100/85

hinge 100/85A open

**Version**

left or right model

With electrolytically zinc-plated pin from drawn steel, fitted with a nylon collet in the same colour as the hinge. Also available with stainless steel pin.

**Available accessories:**

- universal argenta® milling template
- appropriate screws

**Material**

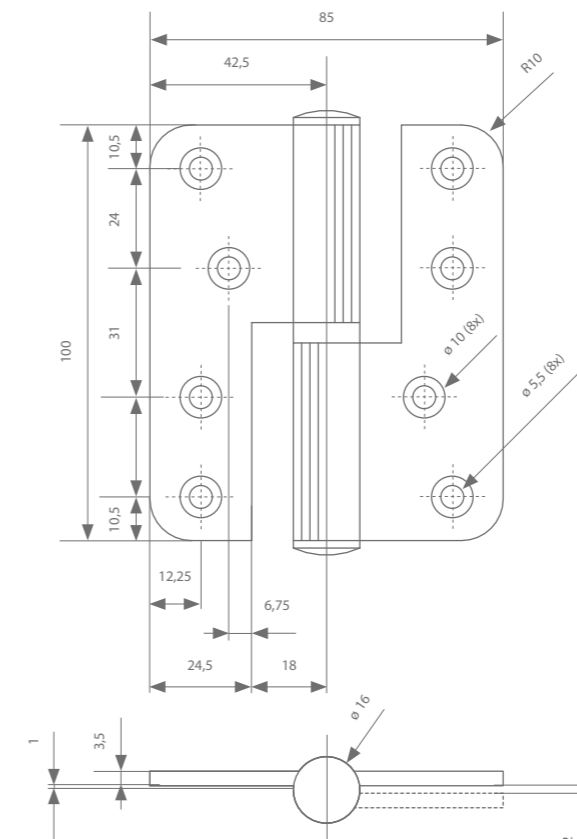
Aluminium

**Finish**

- F1
- Other RAL- colours are available from 500 pieces per direction of rotation. Please contact our sales department for more information.



Technical drawing



Technical properties

Size	100 mm / 85 mm
Knuckle	Ø 16 mm
Leaf width	24,5 mm 'open'
Leaf thickness	3,5 mm
Pin	9 mm

hinges 100/85

## hinge 100/85A closed

### Version

left or right model

With electrolytically zinc-plated pin from drawn steel, fitted with a nylon collet in the same colour as the hinge. Also available with stainless steel pin.

### Available accessories:

- universal argenta® milling template
- appropriate screws

### Material

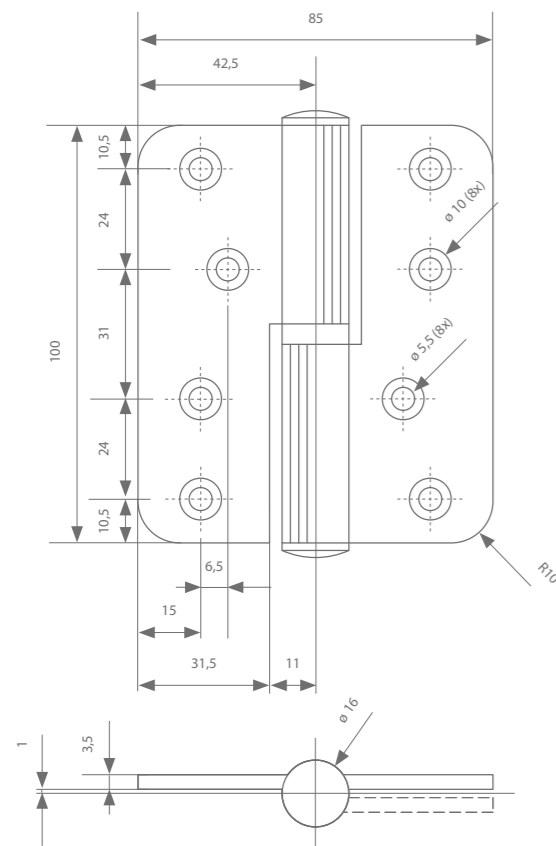
Aluminium

### Finish

- F1, F2
- Other RAL- colours are available from 500 pieces per direction of rotation. Please contact our sales department for more information.



### Technical drawing



### Technical properties

Size	100 mm / 85 mm
Knuckle	Ø 16 mm
Leaf width	31,5 mm 'closed'
Leaf thickness	3,5 mm
Pin	9 mm

hinges 100/85

## hinge 100/85A closed with vase finial

### Version

left or right model

With electrolytically zinc-plated pin from drawn steel, fitted with a nylon collet in the same colour as the hinge. Also available with stainless steel pin.

### Available accessories:

- universal argenta® milling template
- appropriate screws

### Material

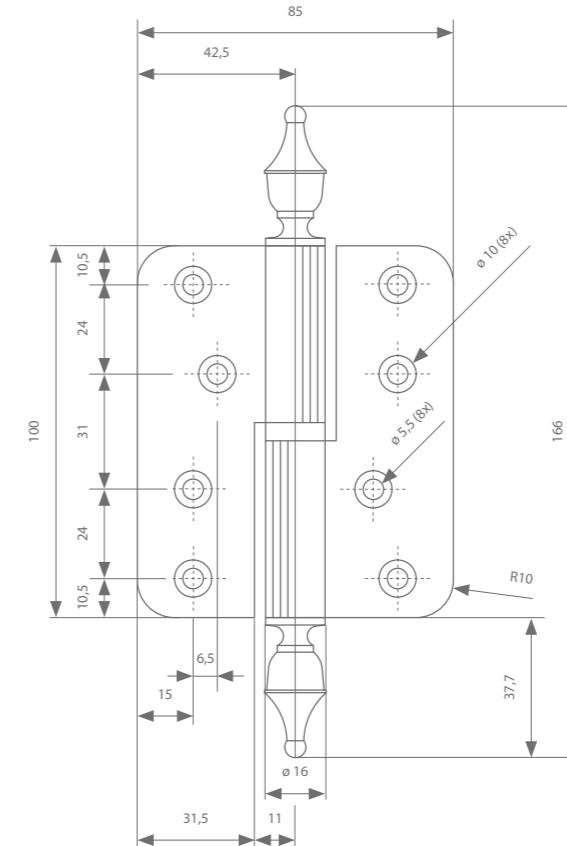
Aluminium

### Finish

- CU1, BR1
- Other RAL- colours are available from 500 pieces per direction of rotation. Please contact our sales department for more information.



### Technical drawing



### Technical properties

Size	100 mm / 85 mm
Knuckle	Ø 16 mm
Leaf width	31,5 mm 'open'
Leaf thickness	3,5 mm
Pin	9 mm



hinges 100/85

## hinge 100/85 closed

### Version

left or right model

With electrolytically zinc-plated pin from drawn steel, fitted with a nylon collet in the same colour as the hinge. Also available with stainless steel pin.

### Available accessories:

- universal argenta® milling template
- appropriate screws

### Material

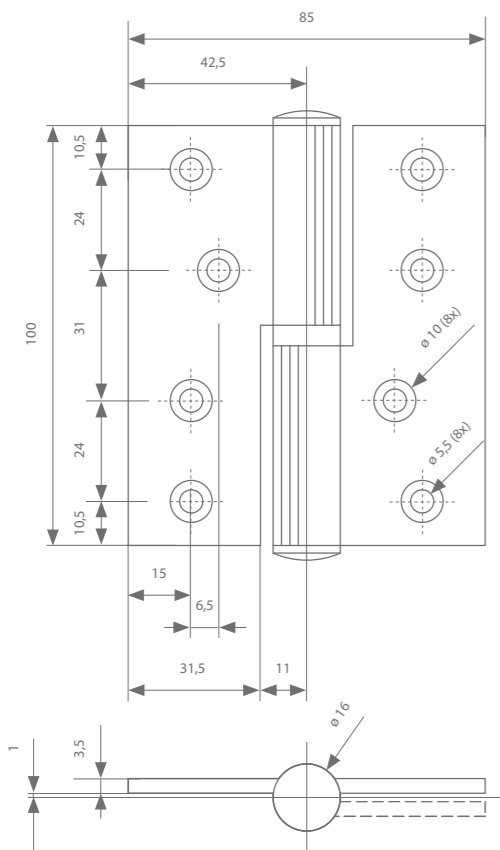
Aluminium

### Finish

- F1
- Other RAL- colours are available from 500 pieces per direction of rotation. Please contact our sales department for more information.



### Technical drawing



### Technical properties

Size	100 mm / 85 mm
Knuckle	Ø 16 mm
Leaf width	31,5 mm 'open'
Leaf thickness	3,5 mm
Pin	9 mm

hinges 100/85

## hinge 100/85 open

### Version

left or right model

With electrolytically zinc-plated pin from drawn steel, fitted with a nylon collet in the same colour as the hinge. Also available with stainless steel pin.

### Available accessories:

- universal argenta® milling template
- appropriate screws

### Material

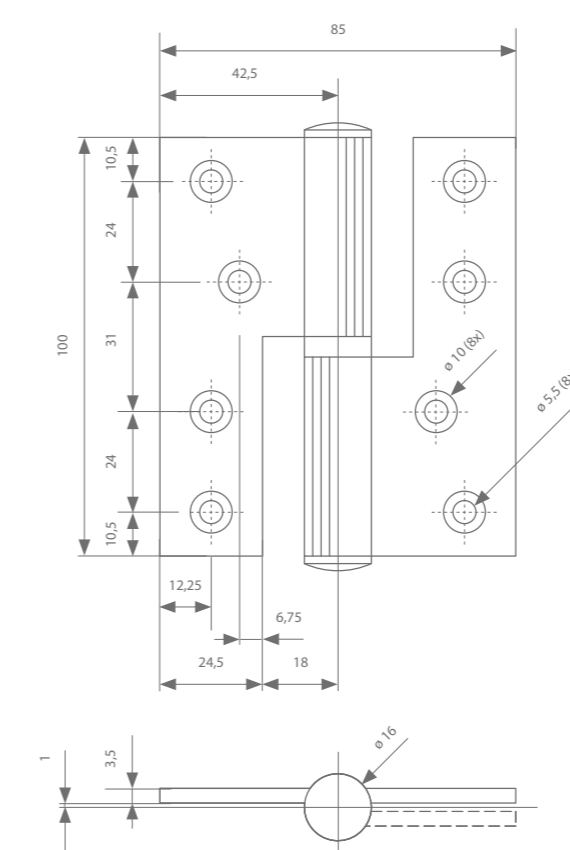
Aluminium

### Finish

- F1
- Other RAL- colours are available from 500 pieces per direction of rotation. Please contact our sales department for more information.



### Technical drawing



### Technical properties

Size	100 mm / 85 mm
Knuckle	Ø 16 mm
Leaf width	24,5 mm 'open'
Leaf thickness	3,5 mm
Pin	9 mm

hinges 100/100

## hinge 100/100A closed

### Version

left or right model

With electrolytically zinc-plated pin from drawn steel, fitted with a nylon collet in the same colour as the hinge. Also available with stainless steel pin.

### Available accessories:

- universal argenta® milling template
- appropriate screws

### Material

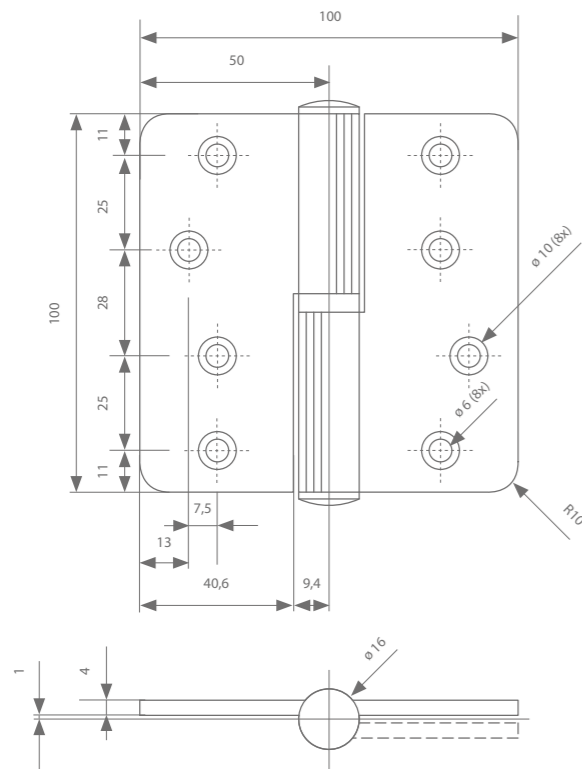
Aluminium

### Finish

- F1
- Other RAL- colours are available from 500 pieces per direction of rotation. Please contact our sales department for more information.



### Technical drawing



### Technical properties

Size	100 mm / 100 mm
Knuckle	$\varnothing 16$ mm
Leaf width	40,6 mm 'closed'
Leaf thickness	4 mm
Pin	9 mm

hinges 100/100

## hinge 100/100 closed

### Version

left or right model

With electrolytically zinc-plated pin from drawn steel, fitted with a nylon collet in the same colour as the hinge. Also available with stainless steel pin.

### Available accessories:

- universal argenta® milling template
- appropriate screws

### Material

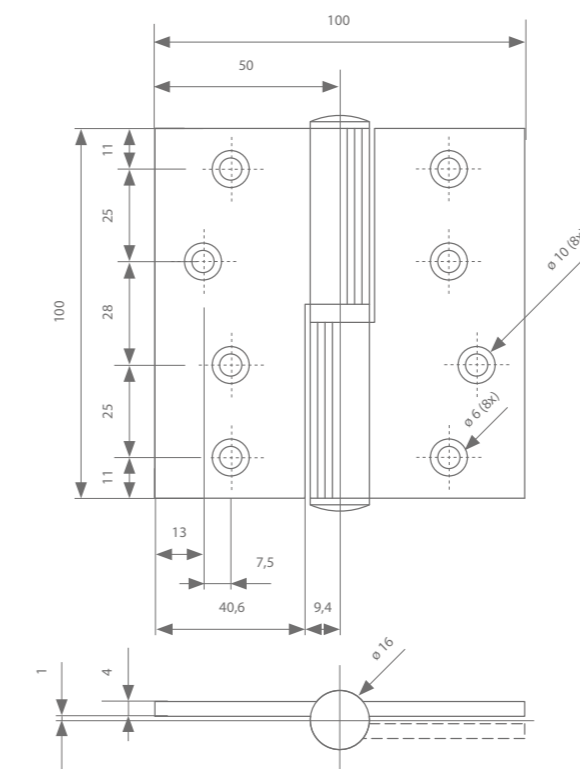
Aluminium

### Finish

- F1
- Other RAL- colours are available from 500 pieces per direction of rotation. Please contact our sales department for more information.



### Technical drawing



### Technical properties

Size	100 mm / 100 mm
Knuckle	$\varnothing 16$ mm
Leaf width	40,6 mm 'closed'
Leaf thickness	4 mm
Pin	9 mm

cranked hinges  
cranked hinge 100/D

**Version**

left or right model

With electrolytically zinc-plated pin from drawn steel, fitted with a nylon collet in the same colour as the hinge. Also available with stainless steel pin.

**Available accessories:**

- appropriate screws

**Material**

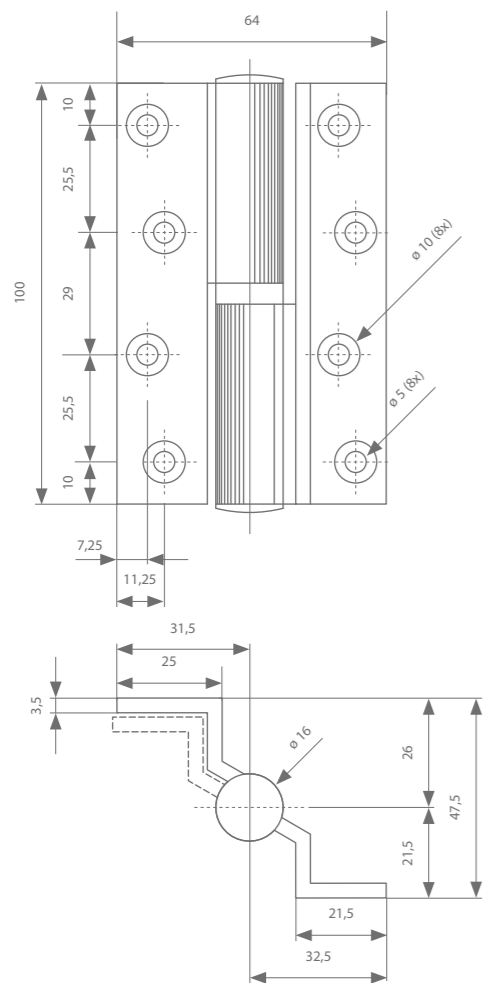
Aluminium

**Finish**

- F1
- Other RAL- colours are available from 500 pieces per direction of rotation. Please contact our sales department for more information.



Technical drawing



Technical properties

Size	100 mm doorgezet
Knuckle	$\varnothing 16$ mm
Leaf width	-
Leaf thickness	3,5 mm
Pin	9 mm

universal hinges  
universal hinge 117/100

**Version**

universal  
(can be used for left or right hand doors)

With electrolytically zinc-plated pin from drawn steel, fitted with a nylon collet in the same colour as the hinge. Also available with stainless steel pin.

**Available accessories:**

- appropriate screws

**Material**

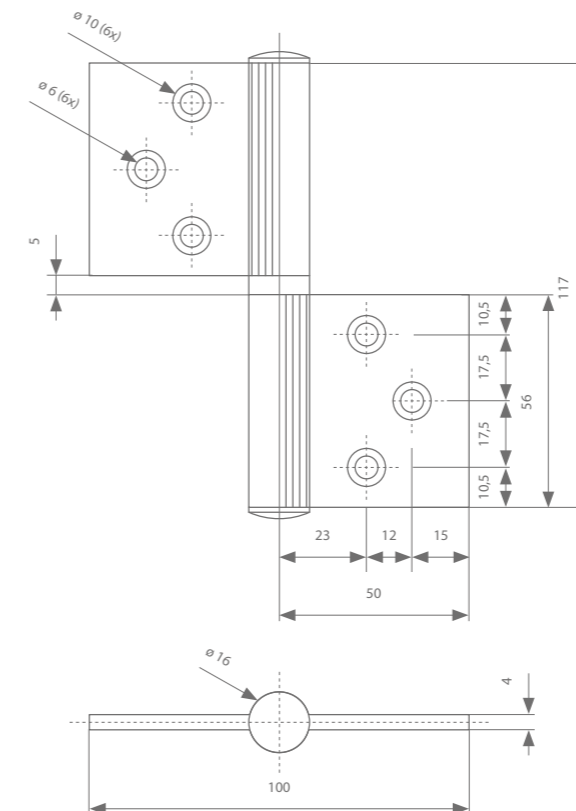
Aluminium

**Finish**

- F1, RAL 9010
- Other RAL- colours are available from 500 pieces per direction of rotation. Please contact our sales department for more information.



Technical drawing



Technical properties

Size	117 mm / 100 mm
Knuckle	$\varnothing 16$ mm
Leaf width	42 mm
Leaf thickness	4 mm
Pin	9 mm

universal hinges

## universal hinge 102/94

**Version**

universal  
(can be used for left or right hand doors)

With electrolytically zinc-plated pin from drawn steel, fitted with a nylon collet in the same colour as the hinge. Also available with stainless steel pin.

**Available accessories:**

- appropriate screws

**Material**

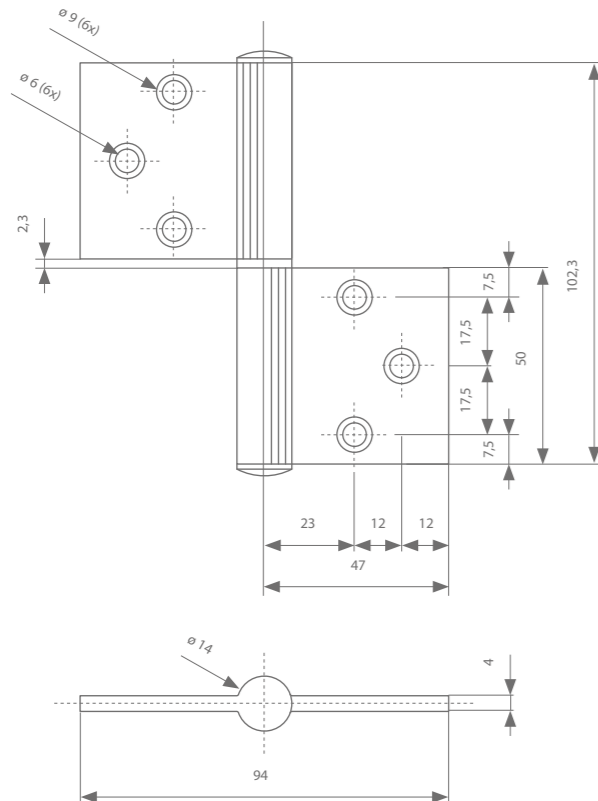
Aluminium

**Finish**

- F1, RAL 9010
- Other RAL- colours are available from 500 pieces per direction of rotation. Please contact our sales department for more information.



Technical drawing



Technical properties

Size	102 mm / 94 mm
Knuckle	Ø 14 mm
Leaf width	40 mm
Leaf thickness	4 mm
Pin	8 mm

self-closing hinges argenta close

## self-closing hinge argenta close 80/80A

**Version**

left or right model

Also available: argenta® close 80/80A with vase or pyramid finial (not in F1, F2)  
Fire certificate Rf 30 available (in accordance with NBN 713.020:1968, EN 1634-1:2000)

**Available accessories:**

- universal argenta® milling template
- appropriate screws

**Material**

Aluminium

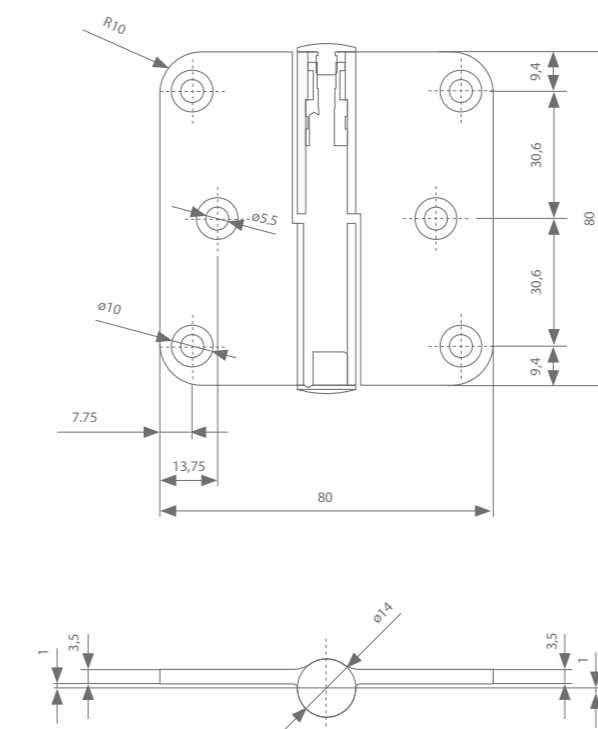
**Finish**

- F1, F2, RAL std, BR, CF, CHR, CU mat, INL
- Other RAL- colours are available from 500 pieces per direction of rotation. Please contact our sales department for more information.

Also available: argenta® close 80/80A with vase or pyramid finial (not in F1, F2)



Technical drawing



Technical properties

Size	80 mm / 80 mm
Knuckle	Ø 14 mm
Leaf width	31,8 mm 'closed'
Leaf thickness	3,5 mm
Pin	-

self-closing hinges argenta close

## self-closing hinge argenta close 89/89A

### Version

left or right model

Also available: argenta® close 80/80A with vase or pyramid finial (not in F1, F2)

Fire certificate Rf 30 available (in accordance with NBN 713.020:1968, EN 1634-1:2000)

### Available accessories:

- universal argenta® milling template
- appropriate screws

### Material

Aluminium

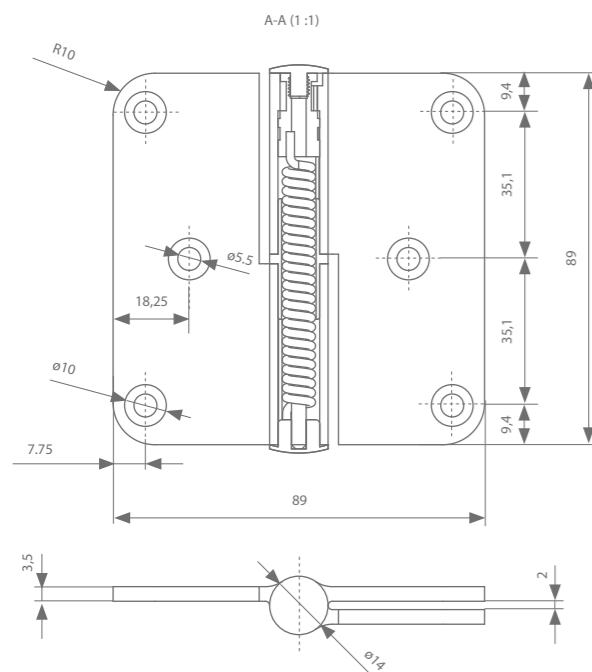
### Finish

- F1, CHR
- Other RAL- colours are available from 500 pieces per direction of rotation. Please contact our sales department for more information.

Also available: argenta® close 80/80A with vase or pyramid finial (not in F1, F2)



### Technical drawing



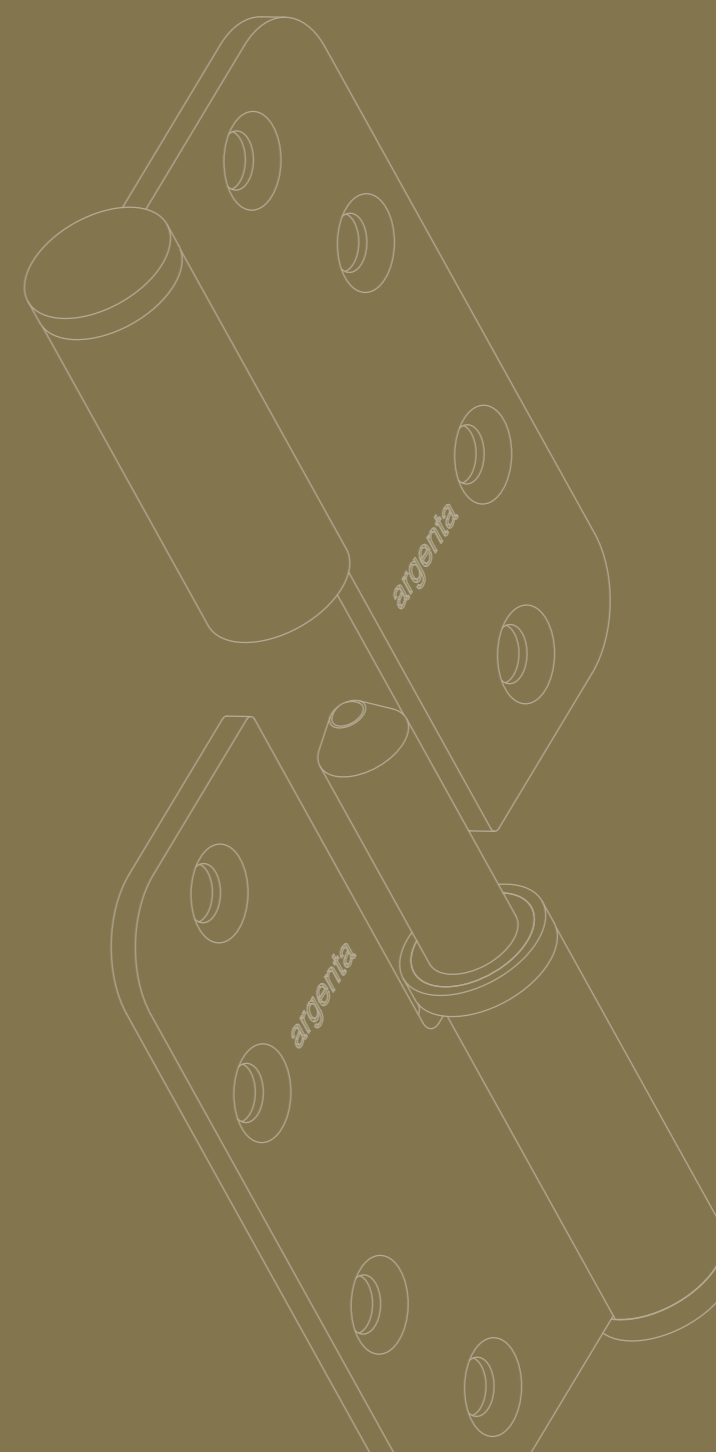
### Technical properties

Size	89 mm / 89 mm
Knuckle	Ø 14 mm
Leaf width	35 mm 'closed'
Leaf thickness	3,5 mm
Pin	-

# 02

## STAINLESS STEEL SPLIT HINGES

Arlu® has created an innovative, patented improvement to its renowned stainless steel split hinges: the clamped wear ring. Argenta®'s stainless steel split hinges come with this clamping bi-material wear ring as standard. As the wear ring clamps into place by itself, it can no longer slide off the axle, meaning no more time is lost while installing the doors. The stainless steel split hinges are available in different finishes and can be used in both residential settings and development projects.

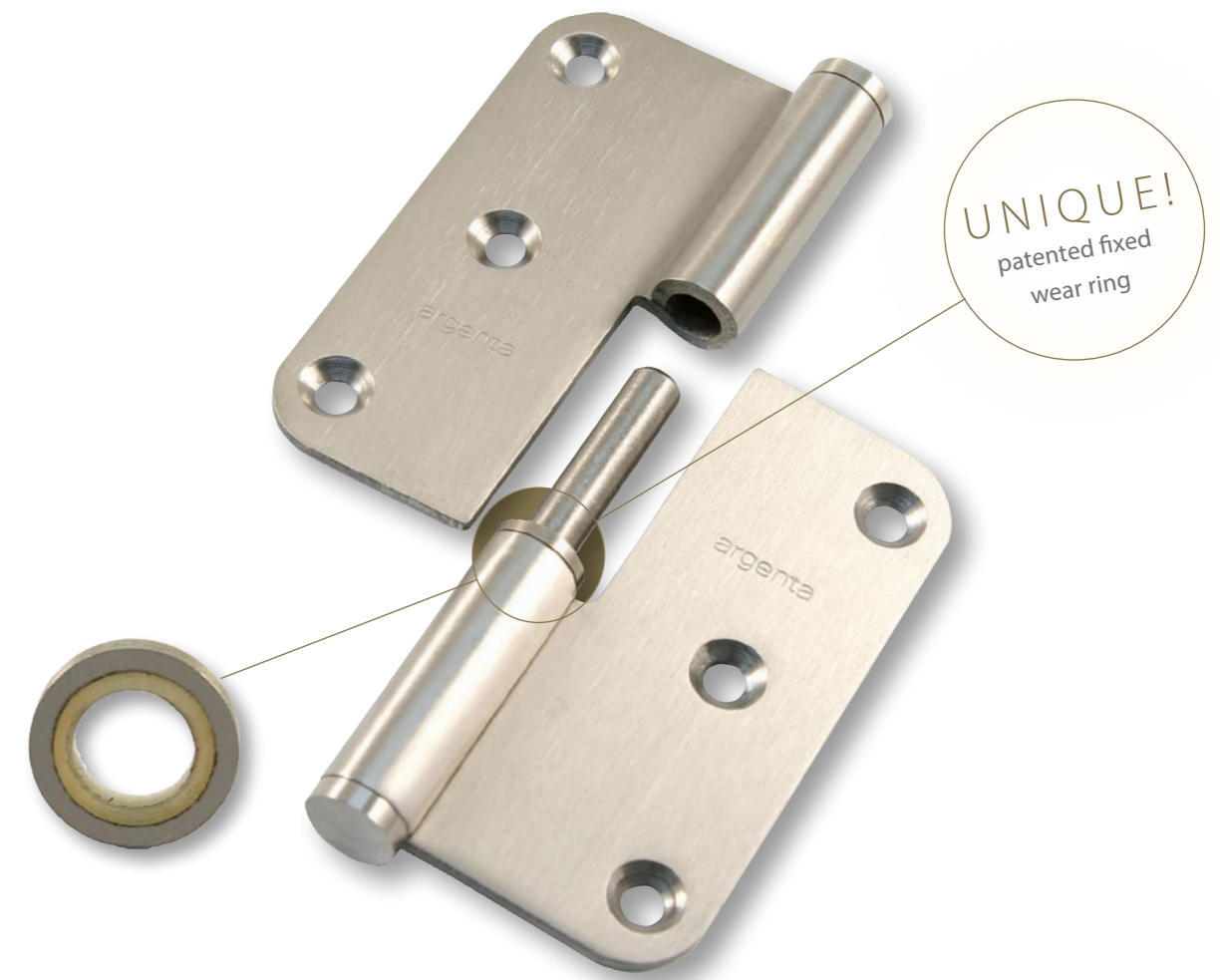




## general info

### Advantages

- No more lost wear rings during door installation
- Faster installation of doors
- Standard on stainless steel argenta® hinges 80/80A, 89/89A and 100/86A
- Wear ring can be obtained separately (thicknesses 2, 2.5, 3 and 5 mm)
- Included wear rings can also be used for height regulation
- Wear rings can still be removed/added manually
- Patented solution
- Less dirt as a result of grease or soot formation
- Wing with pin + ring and wing with hole available separately



hinges 80/80

## hinge 80/80A closed

### Version

left or right model

Rolled with stainless steel pin and ring  
With unique patented clamped wear ring

### Available accessories:

- universal argenta® milling template
- extra wear rings 1, 2, 3, 4, 5, 6, 7, and 8 mm (for hinge wing thickness 2,5 mm)
- extra clamped wear rings 2, 2.5 mm (for hinge wing thickness 2,5 mm)
- extra wear rings 1, 2, and 3 mm (for hinge wing thickness 3,5 mm)
- appropriate screws

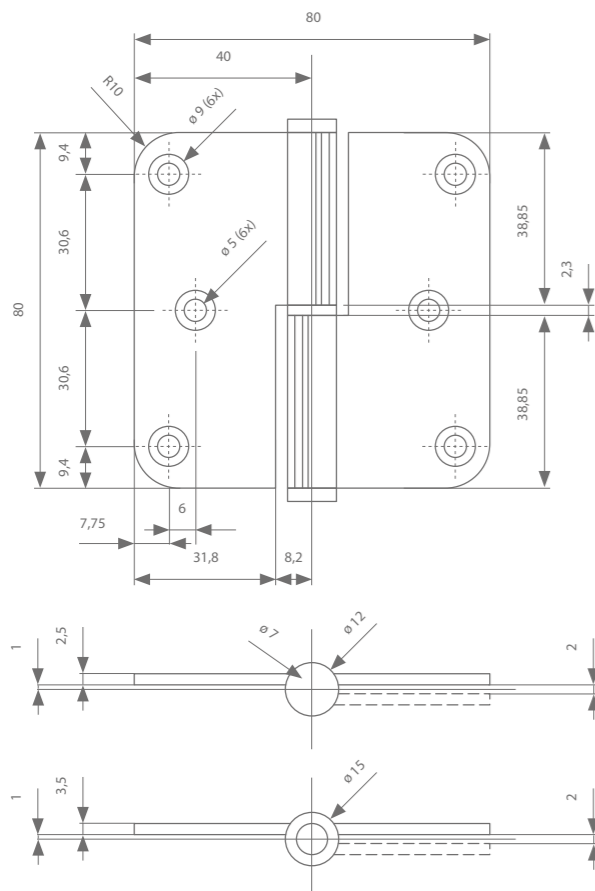
### Material

Stainless steel

### Finish

Brushed stainless steel, CU, BR, iron-colour, CHR, ALL, white (RAL 9010), black (MAT 9005), rust colour, AS

### Technical drawing



### Technical properties

Size	80 mm / 80 mm	80 mm / 80 mm
Knuckle	Ø 12 mm	Ø 15 mm
Leaf width	31,8 mm 'closed'	30,8 mm 'closed'
Leaf thickness	2,5 mm	3,5 mm
Pin	7 mm	8 mm

hinges 80/80

## hinge 80/80A closed with pyramid finial

### Version

left or right model

Rolled with stainless steel pin and ring  
With unique patented clamped wear ring

### Available accessories:

- universal argenta® milling template
- extra wear rings 1, 2, 3, 4, 5, 6, 7, and 8 mm (for hinge wing thickness 2,5 mm)
- extra clamped wear rings 2, 2.5 mm (for hinge wing thickness 2,5 mm)
- extra wear rings 1, 2, and 3 mm (for hinge wing thickness 3,5 mm)
- appropriate screws

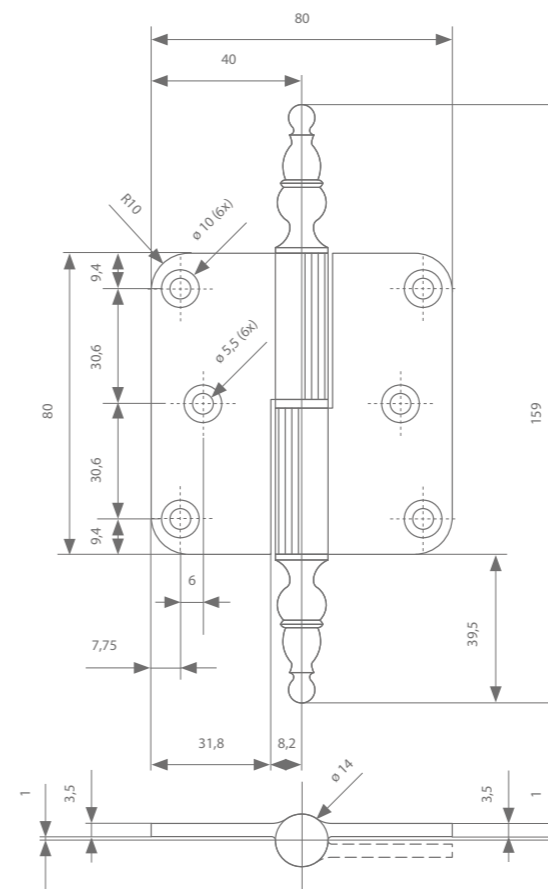
### Material

Stainless steel

### Finish

Brushed stainless steel, CU, BR, CHR, ALL, white (RAL 9010), black (MAT 9005), ACU

### Technical drawing



### Technical properties

Size	80 mm / 80 mm	80 mm / 80 mm
Knuckle	Ø 12 mm	Ø 15 mm
Leaf width	31,8 mm 'closed'	30,8 mm 'closed'
Leaf thickness	2,5 mm	3,5 mm
Pin	7 mm	8 mm

hinges 89/89

## hinge 89/89A closed

### Version

left or right model

Rolled with stainless steel pin and ring  
With unique patented clamped wear ring

### Available accessories:

- universal argenta® milling template
- extra wear rings 1, 2, 3, 4, 5, 6, 7, and 8 mm
- extra clamped wear rings 2, 2.5 mm

### Material

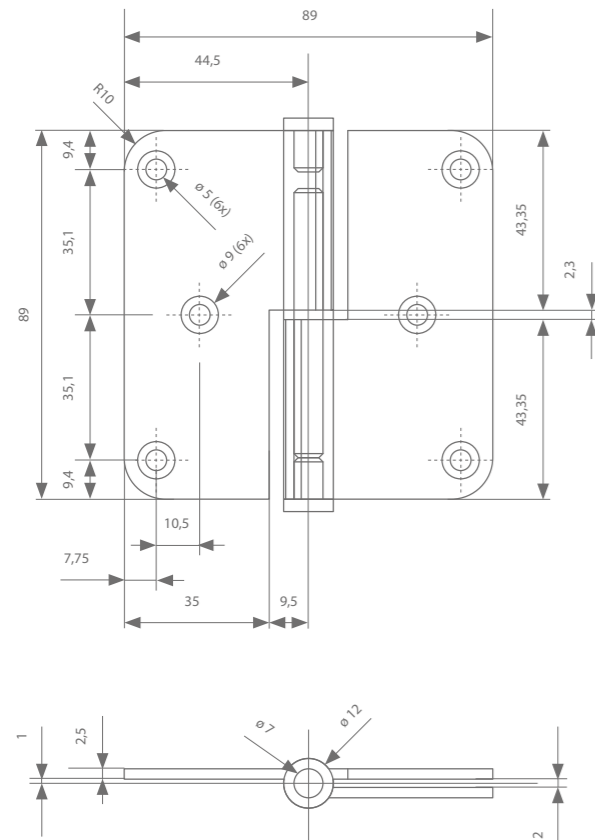
Stainless steel

### Finish

Brushed stainless steel



### Technical drawing



### Technical properties

Size	89 mm / 89 mm
Knuckle	$\phi 12$ mm
Leaf width	35 mm 'closed'
Leaf thickness	2,5 mm
Pin	7 mm

hinges 89/89

## hinge 89/89A closed, with bullet nose pin

### Version

left or right model

Rolled with stainless steel pin and ring

### Available accessories:

- universal argenta® milling template
- extra wear rings 1, 2, 3, 4, 5, 6, 7, and 8 mm

### Material

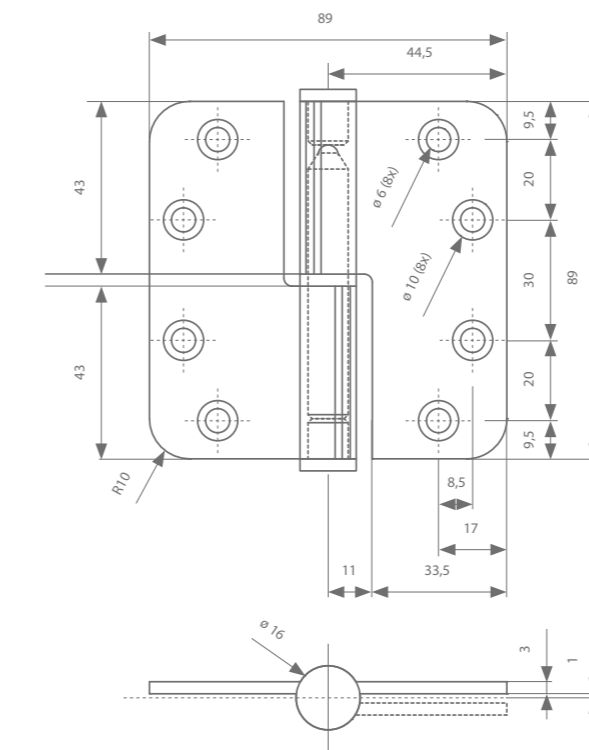
Stainless steel

### Finish

Brushed stainless steel



### Technical drawing



### Technical properties

Size	89 mm / 89 mm
Knuckle	$\phi 16$ mm
Leaf width	35 mm 'closed'
Leaf thickness	3 mm
Pin	10 mm



hinges 100/64  
cranked hinge 100/64A

**Version**

left or right model

Rolled with stainless steel pin and ring

**Available accessories:**

- extra wear rings 1, 2, 3, 4, 5, 6, 7, and 8 mm

**Material**

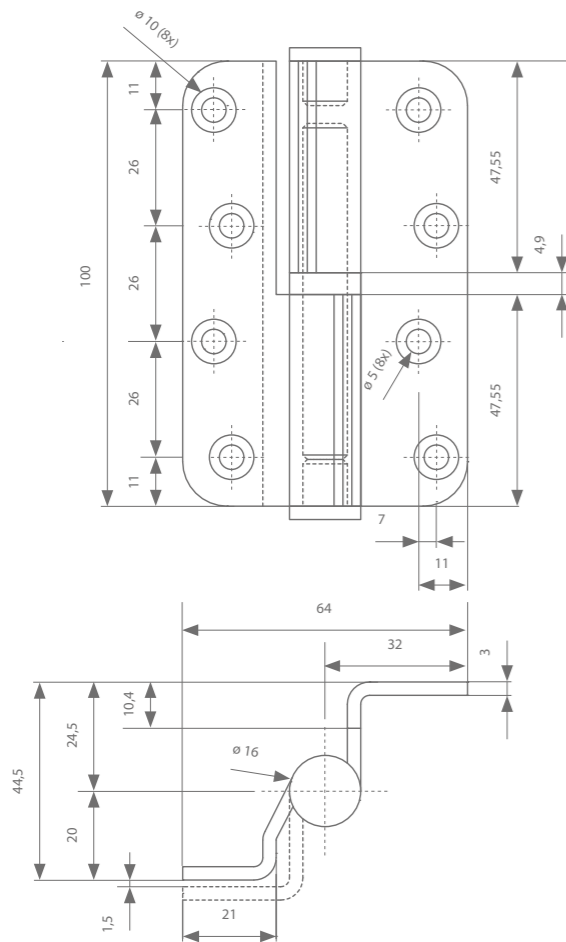
Stainless steel

**Finish**

Brushed stainless steel



Technical drawing



Technical properties

Size	100 mm / 64 mm
Knuckle	Ø 16 mm
Leaf width	32 mm 'closed'
Leaf thickness	3 mm
Pin	10 mm

hinges 100/86  
hinge 100/86A open

**Version**

left or right model

Rolled with stainless steel pin and ring  
With unique patented clamped wear ring

**Available accessories:**

- universal argenta® milling template
- extra wear rings 1, 2, 3, 4, 5, 6, 7, and 8 mm
- extra clamped wear rings 3, 5 mm

**Material**

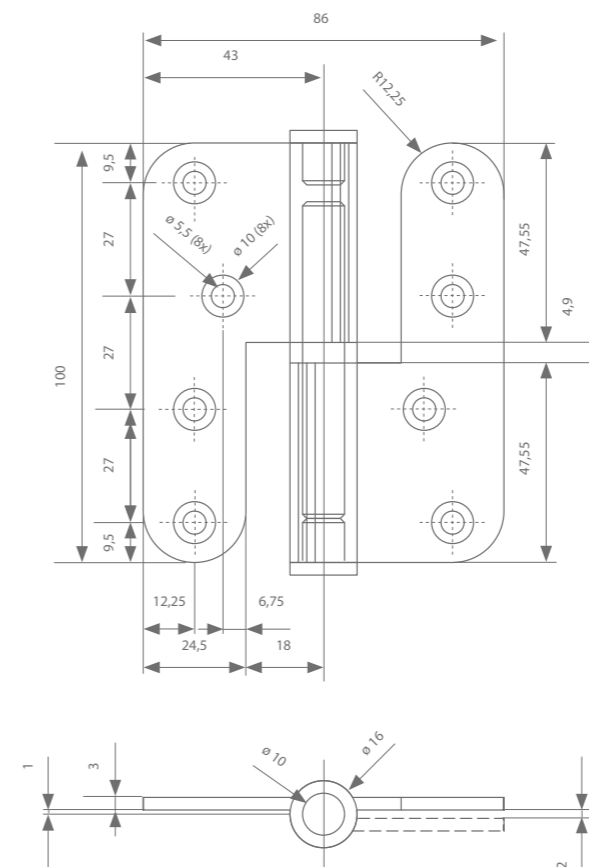
Stainless steel

**Finish**

Brushed stainless steel



Technical drawing



Technical properties

Size	100 mm / 86 mm
Knuckle	Ø 16 mm
Leaf width	24,5 mm 'open'
Leaf thickness	3 mm
Pin	10 mm

hinges 100/86

## hinge 100/86A open, adjustable

### Version

left or right model

Rolled with stainless steel pin and ring  
With unique patented clamped wear ring  
Height adjustable

### Available accessories:

- universal argenta® milling template
- extra wear rings 1, 2, 3, 4, 5, 6, 7, and 8 mm
- extra clamped wear rings 3, 5 mm

### Material

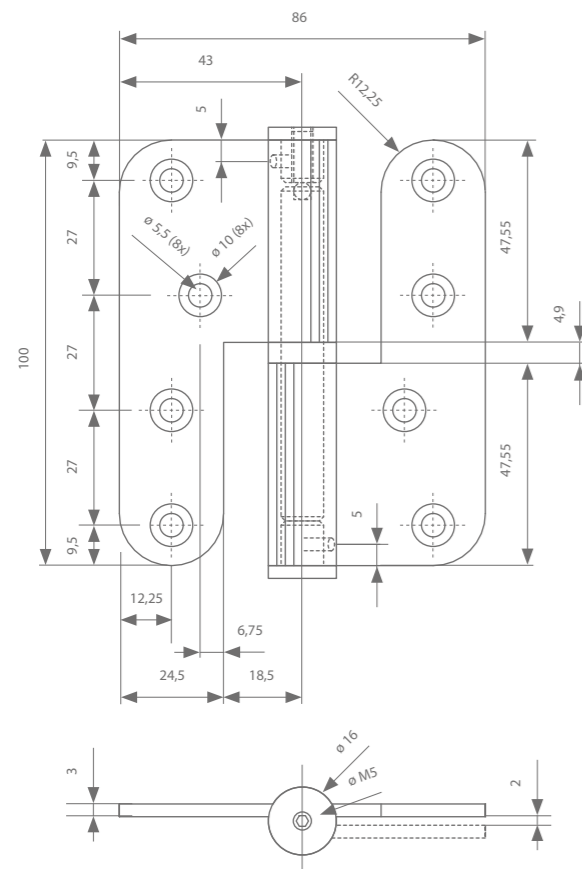
Stainless steel

### Finish

Brushed stainless steel



### Technical drawing



### Technical properties

Size	100 mm / 86 mm
Knuckle	Ø 16 mm
Leaf width	24,5 mm 'open'
Leaf thickness	3 mm
Pin	10 mm

hinges 100/86

## hinge 100/86A open, rising

### Version

left or right model

Rolled with stainless steel pin and ring

### Rising hinge

- at 90°: 5,2 mm
- at 180°: 11,4 mm

### Available accessories:

- universal argenta® milling template

### Material

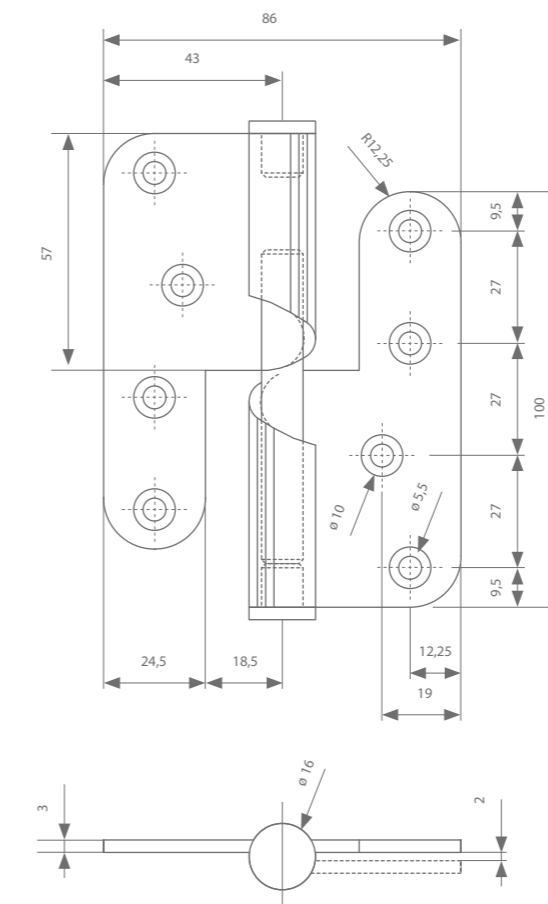
Stainless steel

### Finish

Brushed stainless steel



### Technical drawing



### Technical properties

Size	100 mm / 86 mm
Knuckle	Ø 16 mm
Leaf width	24,5 mm 'open'
Leaf thickness	3 mm
Pin	10 mm

hinges 100/86

## hinge 100/86A open, with ball-bearing ring

### Version

left or right model

Rolled with stainless steel pin

### Available accessories:

- universal argenta® milling template
- extra wear rings 1, 2, 3, 4, 5, 6, 7, and 8 mm

### Material

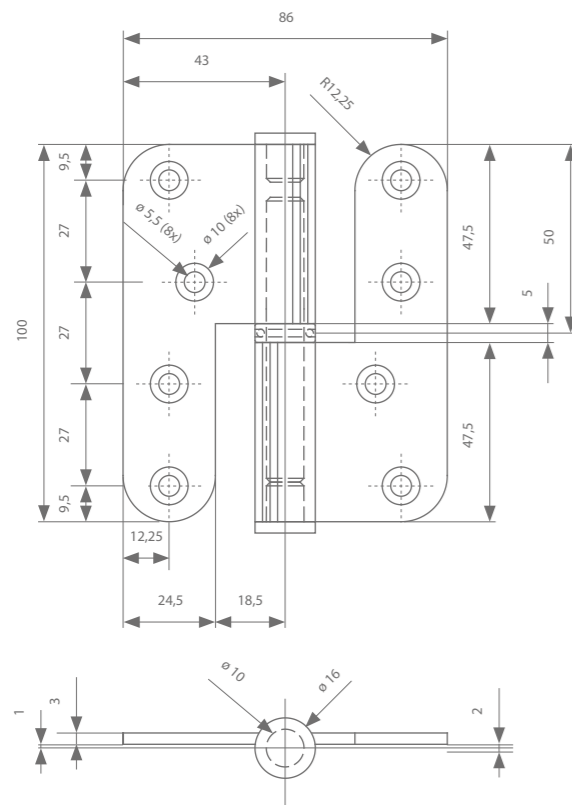
Stainless steel

### Finish

Brushed stainless steel



### Technical drawing



### Technical properties

Size	100 mm / 86 mm
Knuckle	Ø 16 mm
Leaf width	24,5 mm 'open'
Leaf thickness	3 mm
Pin	10 mm

hinges 100/78

## hinge 100/78A wood-metal (+ clamp)

### Version

left or right model

Rolled with stainless steel pin and ring

### Burglary-resistant

class WK3 (in accordance with prEN 1627-1628-1629-1630)

### Available accessories:

- universal argenta® milling template
- extra wear rings 1, 2, 3, 4, 5, 6, 7, and 8 mm

### Material

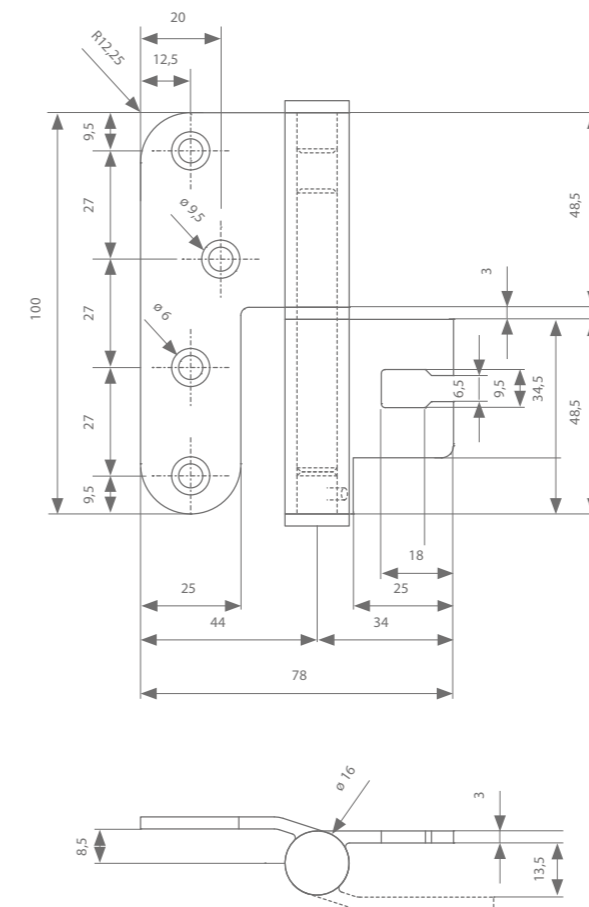
Stainless steel

### Finish

Brushed stainless steel



### Technical drawing



### Technical properties

Size	100 mm / 78 mm
Knuckle	Ø 16 mm
Leaf width	25 mm 'open'
Leaf thickness	3 mm
Pin	10 mm

hinges 120/86

## hinge 120/86A open

### Version

left or right model

Rolled with stainless steel pin

### Available accessories:

- universal argenta® milling template
- extra wear rings 1, 2, 3, 4, 5, 6, 7, and 8 mm

### Material

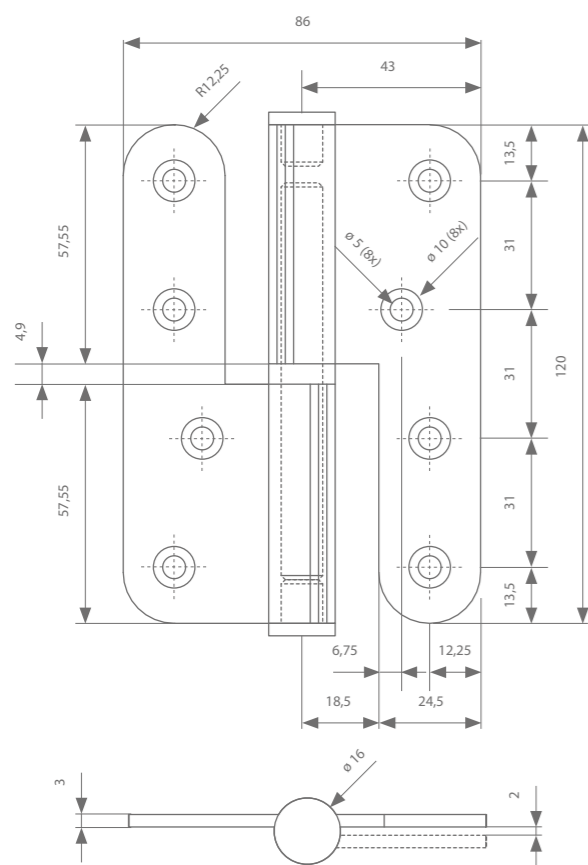
Stainless steel

### Finish

Brushed stainless steel



### Technical drawing



### Technical properties

Size	120 mm / 86 mm
Knuckle	Ø 16 mm
Leaf width	32 mm 'open'
Leaf thickness	3 mm
Pin	10 mm

sarana hinges

## hinge 100-90

### Version

universal

(can be used either for left or right hand door)

- Hinge for heavy and intensively used doors
- No visible end caps and pin
- Equipped with self-lubricating Argentalon® sliding bearings
- Maintenance-free
- Pin screwed and fastened
- Easily removable due to threaded hinge-pin system
- Equipped with star-shaped threaded holes for additional security
- 1-hour fire rated

### Material

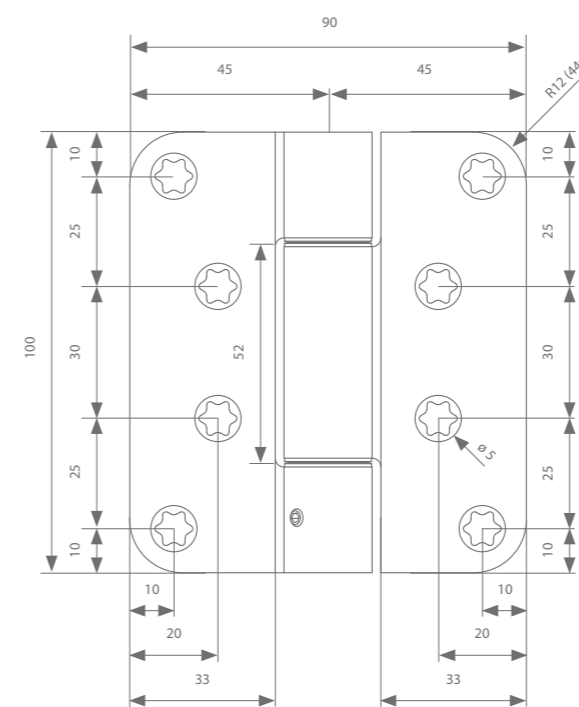
Inox 304 / RVS

### Finish

Brushed stainless steel



### Technical drawing



### Technical properties

Size	100 mm / 90 mm
Knuckle	Ø 20 mm
Leaf width	33 mm
Leaf thickness	3 mm
Pin	12 mm

sarana hinges  
hinge 100 H-MB

**Version**

universal  
(can be used either for left or right hand door)

- Hinge for heavy and intensively used standard flush doors with wood, steel, and aluminium frames for use with standard 2D adjustable mounting bracket
- No visible end caps and pin
- Equipped with self-lubricating axial-radial Argentalon® sliding bearings
- Maintenance-free
- Pin screwed and fastened
- Easily removable due to threaded hinge-pin system
- Fire and smoke resistant
- For size #5 screws

**Material**

Inox 304 / RVS

**Finish**

Brushed stainless steel



sarana hinges  
hinge 100 H-M

**Version**

universal  
(can be used either for left or right hand door)

- Hinge for heavy and intensively used standard flush doors with wood, steel, and aluminium frames for use with 3D adjustable mounting bracket
- No visible end caps and pin
- Equipped with self-lubricating axial-radial Argentalon® sliding bearings
- Maintenance-free
- Pin screwed and fastened
- Easily removable due to threaded hinge-pin system
- Fire and smoke resistant
- For size #5 screws

**Material**

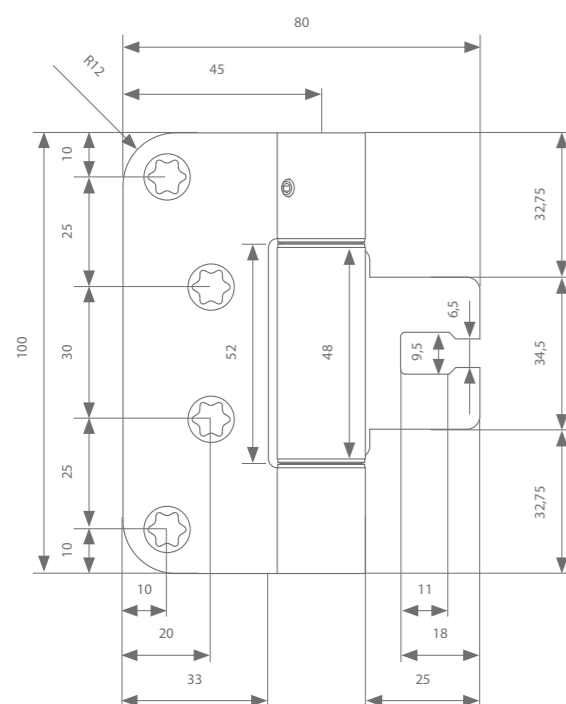
Inox 304 / RVS

**Finish**

Brushed stainless steel



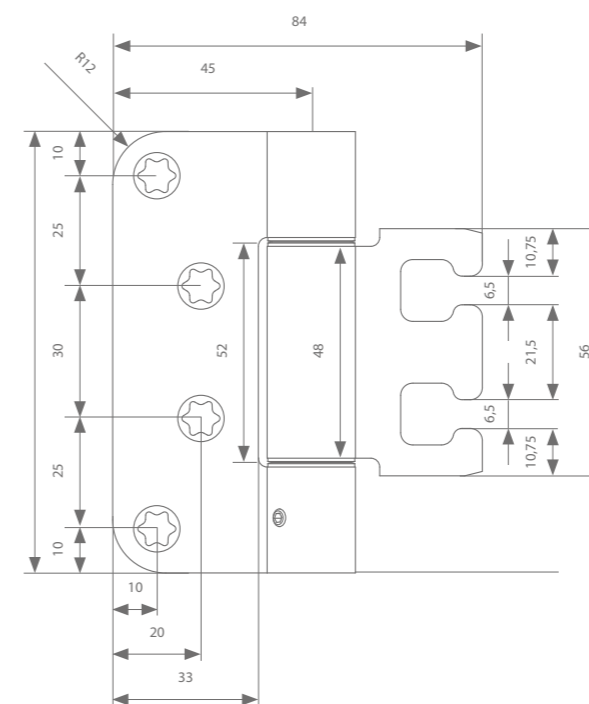
Technical drawing



Technical properties

Size	100 mm / 81 mm
Knuckle	Ø 20 mm
Leaf width	33 mm
Leaf thickness	3 mm
Pin	12 mm

Technical drawing



Technical properties

Size	100 mm / 84 mm
Knuckle	Ø 20 mm
Leaf width	33 mm
Leaf thickness	3 mm
Pin	12 mm

sarana hinges  
hinge 100 H-MD

**Version**

universal  
(can be used either for left or right hand door)

- Hinge for heavy and intensively used standard flush and panel doors with wood, steel, and aluminium frames for use with 3D adjustable mounting bracket
- No visible end caps and pin
- Equipped with self-lubricating axial-radial Argentalon® sliding bearings
- Maintenance-free
- Pin screwed and fastened
- Easily removable due to threaded hinge-pin system
- Fire and smoke resistant
- For size #5 screws

**Material**

Inox 304 / RVS

**Finish**

Brushed stainless steel



sarana hinges  
mounting clamp

**Description**

3D adjustable mounting brackets for steel or aluminium door frames of standard flush and panel doors with Argenta® Sarana® 100 H/M or Argenta® Sarana® 100 H/MD hinges

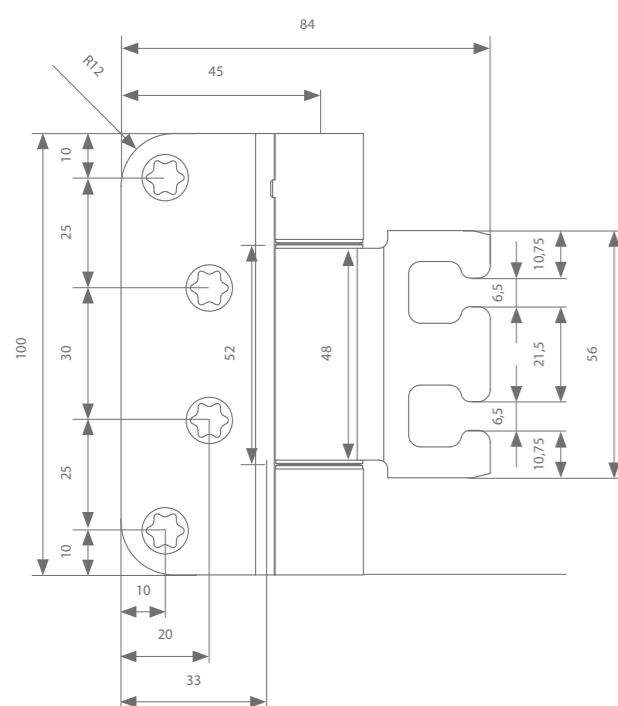
- Height adjustment: ± 3 mm
- Suspension adjustment: ± 3 mm
- Pressure adjustment: +2 -3 mm
- Mounting bracket protected against penetration by mortar, concrete, or other grout and insulation materials (e.g. PUR)
- Fire and smoke resistant
- Zinc-plated steel

**Material / Finish**

Electrolytically galvanized steel



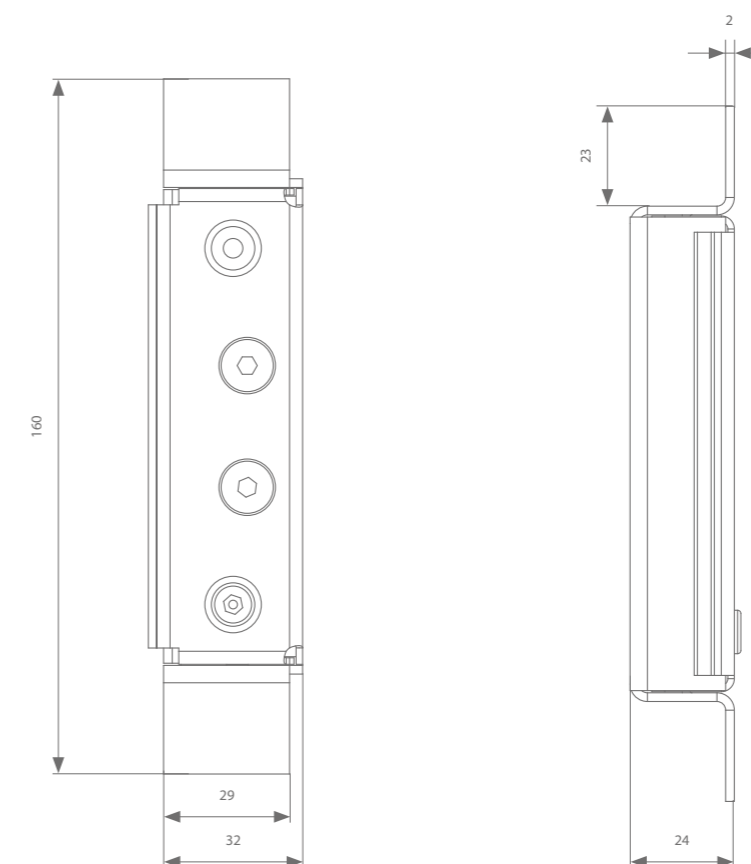
Technical drawing



Technical properties

Size	100 mm / 84 mm
Knuckle	Ø 20 mm
Leaf width	33 mm
Leaf thickness	3 mm
Pin	12 mm

Technical drawings

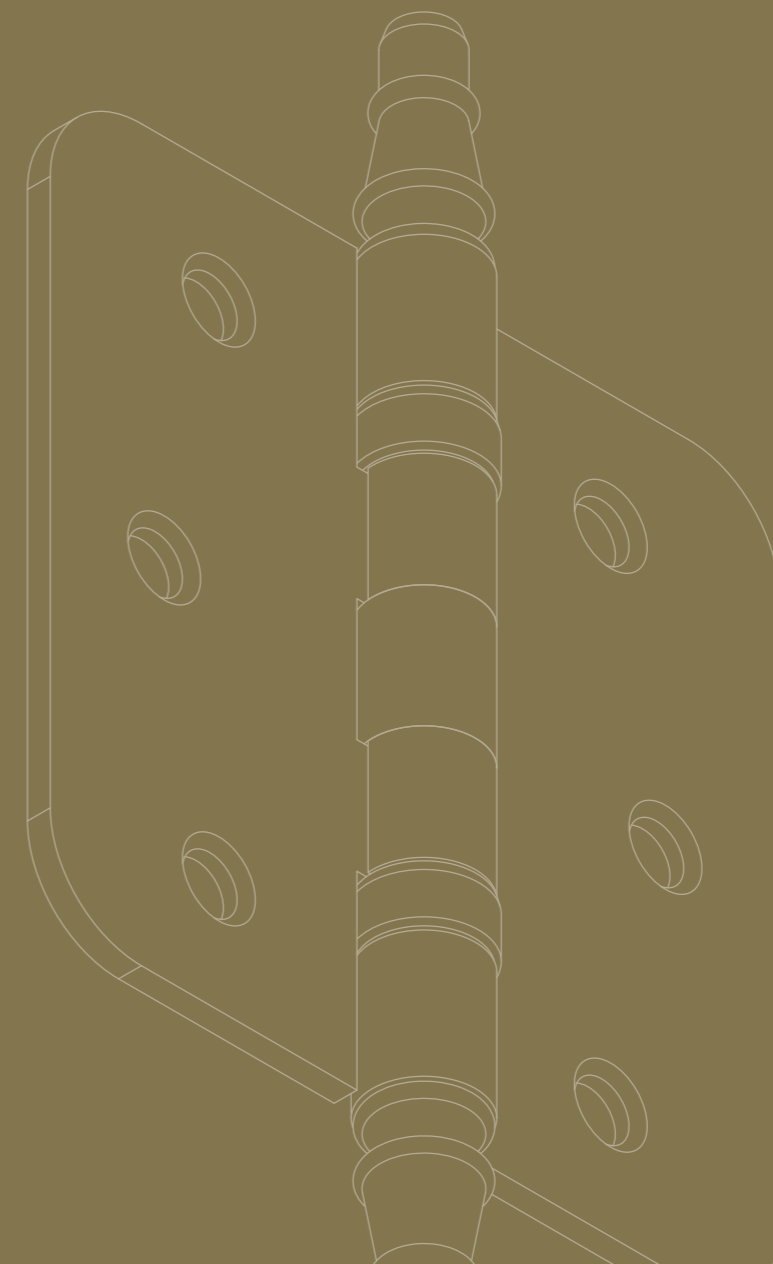




# 03

## STEEL SPLIT HINGES

Cottage-style homes with solid doors require specific split hinges to provide just the right finish. Argenta®'s steel ball bearing hinges in a copper or bronze finish provide the perfect solution for this setting. These universal hinges with a traditional finial can be used for both left and right-hand doors.



five-knuckle hinges

five-knuckle hinge 76/76A

**Version**

universal  
(can be used for left or right hand doors)

With electrolytically zinc-plated pin from drawn steel

**Available accessories:**

- universal argenta® milling template
- appropriate screws

**Material**

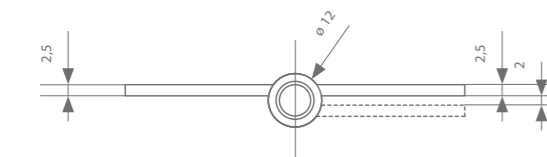
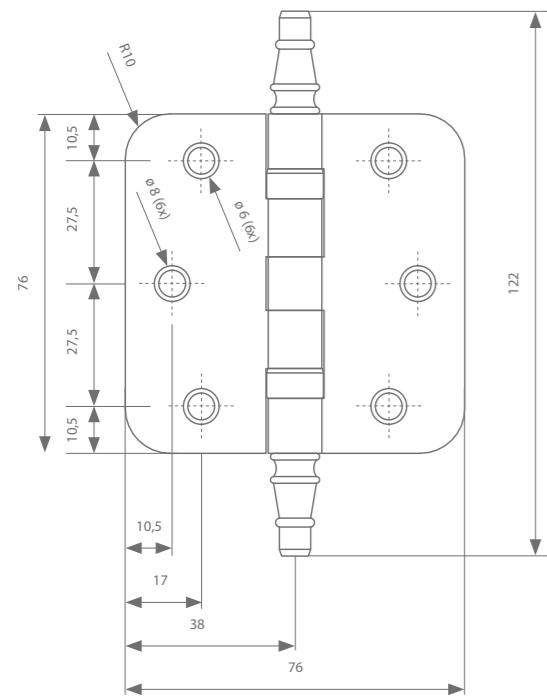
Steel

**Finish**

CU, BR



Technical drawing



Technical properties

Size	76 mm / 76 mm
Knuckle	Ø 12 mm
Leaf width	38 mm
Leaf thickness	2,5 mm
Pin	7 mm

five-knuckle hinges

five-knuckle hinge 80/80A

**Version**

universal  
(can be used for left or right hand doors)

With electrolytically zinc-plated pin from drawn steel

**Available accessories:**

- universal argenta® milling template
- appropriate screws

**Material**

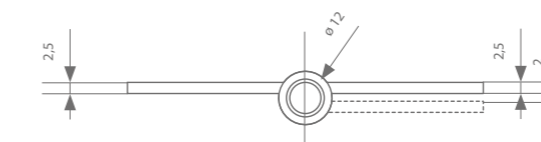
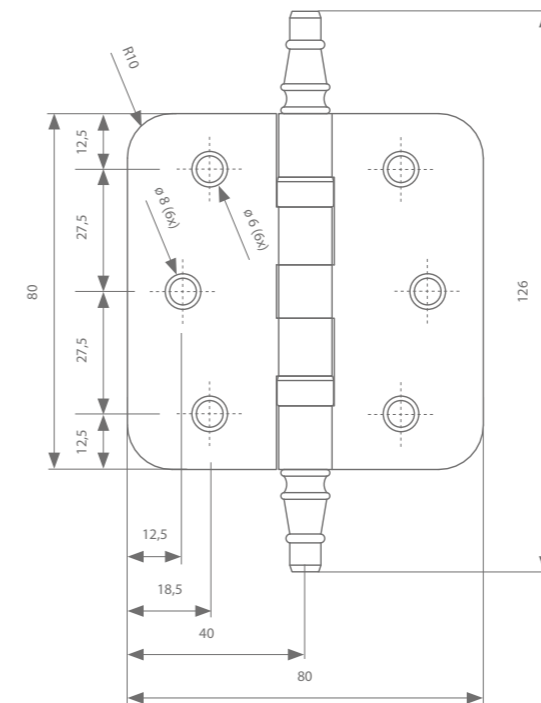
Steel

**Finish**

CU, BR



Technical drawing



Technical properties

Size	80 mm / 80 mm
Knuckle	Ø 12 mm
Leaf width	40 mm
Leaf thickness	2,5 mm
Pin	7 mm

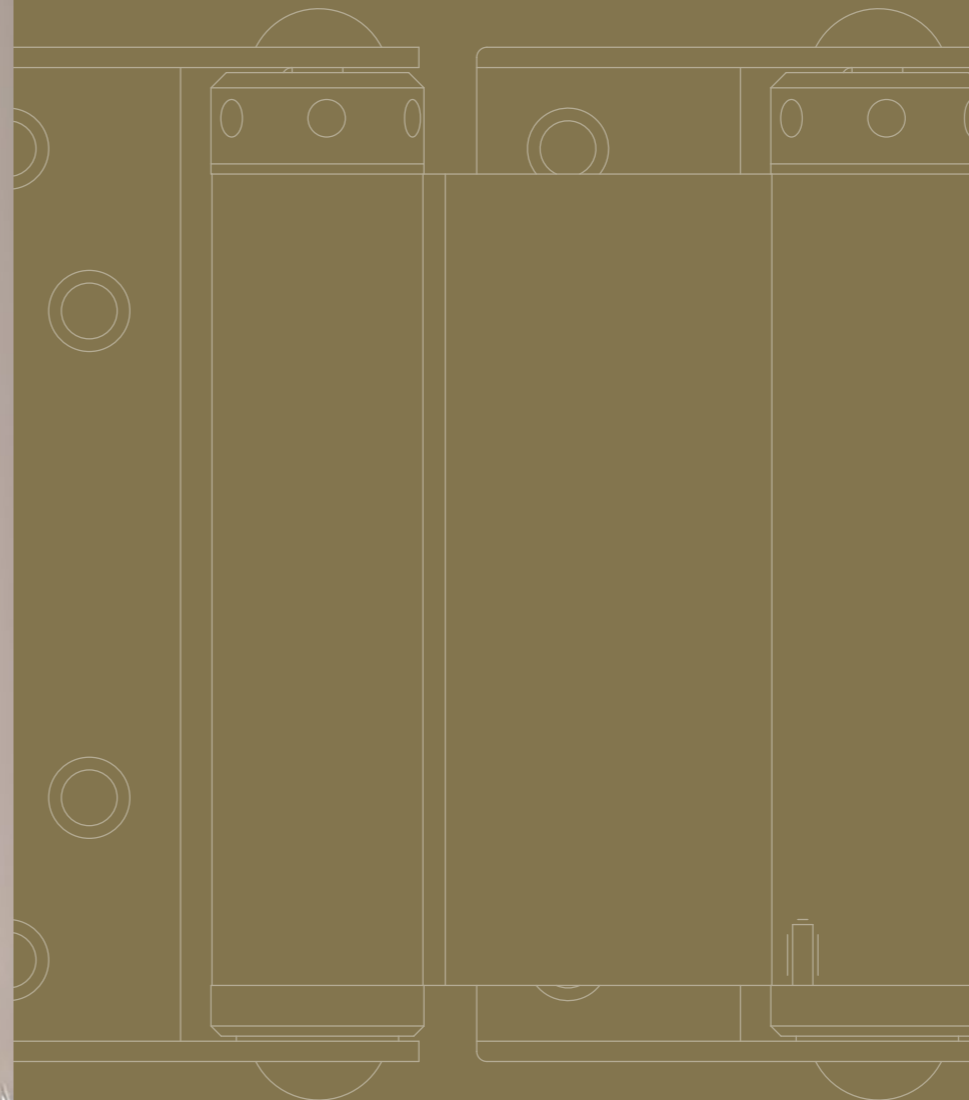




# 04

## SPRING HINGES

Spring hinges are equipped with an invisible spring that causes the door to close automatically. There are two types of spring hinges, single and double action. Single-action spring hinges always pull the door closed against a stop. Double-action spring hinges are equipped with two springs. These allow the door to swing in both directions and to be pulled shut from either direction. Both types come in five different sizes and are available in galvanised, black powder coated, or stainless steel. Installation is incredibly simple and adjustable spring tension makes them perfect for every application.



## spring hinge single 180/1 & double 180/2

### Version

single 180/1 or double 180/2  
With stainless steel pin and hardened steel spring.  
Includes key for tension adjustment

### Available accessories:

- appropriate screws

### Material

Aluminium

### Finish

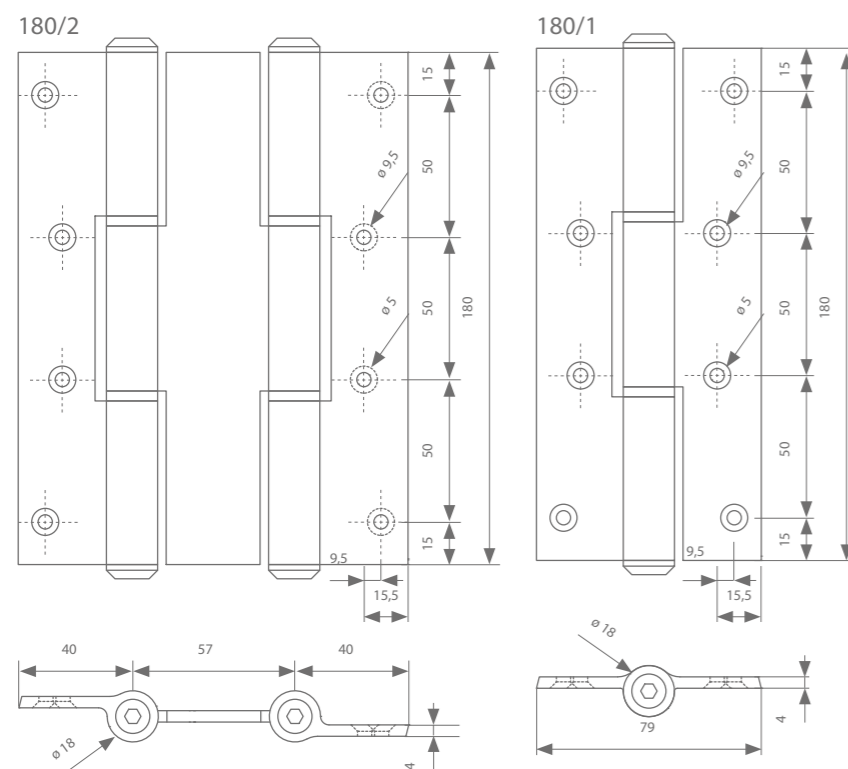
F1



### Technical properties

Size	180 mm
Knuckle	Ø 18 mm
Leaf width	40 mm 'closed'
Leaf thickness	4 mm
Pin	-

### Technical drawings



## spring hinge 3"

### Version

Rolled in steel or stainless steel and equipped with a tempered steel spring. Stainless steel springs available upon request.  
Adjustable spring tension (key not supplied).

### Material

Steel or stainless steel

### Finish

- Steel
- Galvanised steel
- Black powder coated (RAL9005)
- Stainless steel



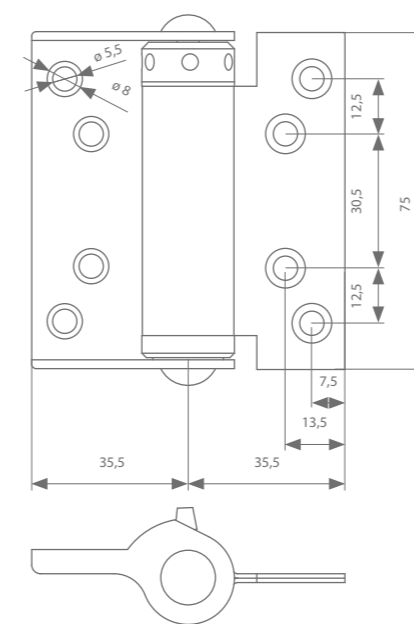
### Technical properties

Size	Single-action 75 mm	Double-action 75 mm
Knuckle	Ø 21 mm	Ø 21 mm
Leaf width	35,5 mm	35,5 mm
Leaf thickness	2 – 5,5 mm	2 – 5,5 mm

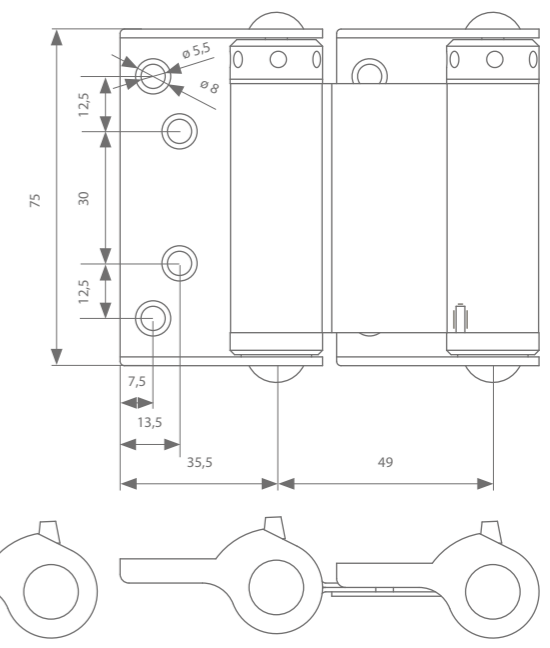
Packed in boxes of 2.

### Technical drawings

#### Single-action



#### Double-action



## spring hinge 4"

### Version

Rolled in steel or stainless steel and equipped with a tempered steel spring. Stainless steel springs available upon request. Adjustable spring tension (key not supplied).

### Material

Steel or stainless steel

### Finish

Steel

- Galvanised steel
- Black powder coated (RAL9005)

Stainless steel

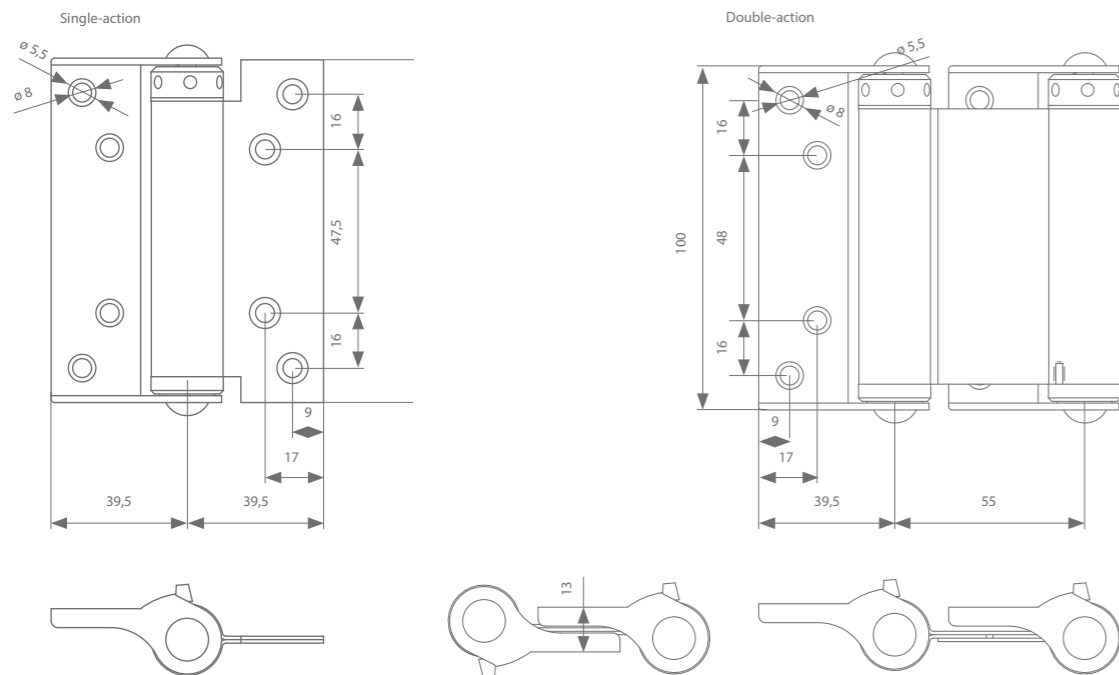


## Technical properties

Size	Single-action 100 mm	Double-action 100 mm
Knuckle	Ø 21 mm	Ø 21 mm
Leaf width	39,5 mm	39,5 mm
Leaf thickness	2 – 5,5 mm	2 – 5,5 mm

Packed in boxes of 2.

## Technical drawings



## spring hinge 5"

### Version

Rolled in steel or stainless steel and equipped with a tempered steel spring. Stainless steel springs available upon request. Adjustable spring tension (key not supplied).

### Material

Steel or stainless steel

### Finish

Steel

- Galvanised steel
- Black powder coated (RAL9005)

Stainless steel

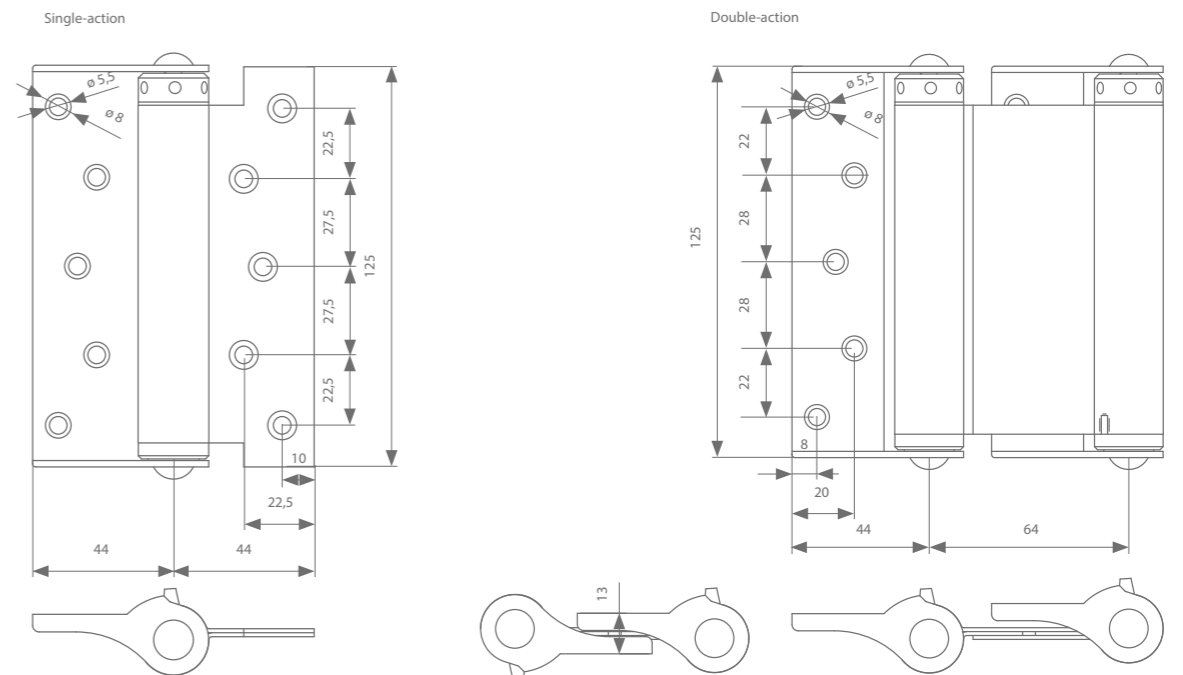


## Technical properties

Size	Single-action 125 mm	Double-action 125 mm
Knuckle	Ø 22 mm	Ø 22 mm
Leaf width	44 mm	44 mm
Leaf thickness	2 – 5,5 mm	2 – 5,5 mm

Packed in boxes of 2.

## Technical drawings



## spring hinge 6"

### Version

Rolled in steel or stainless steel and equipped with a tempered steel spring. Stainless steel springs available upon request. Adjustable spring tension (key not supplied).

### Material

Steel or stainless steel

### Finish

Steel

- Galvanised steel
- Black powder coated (RAL9005)

Stainless steel

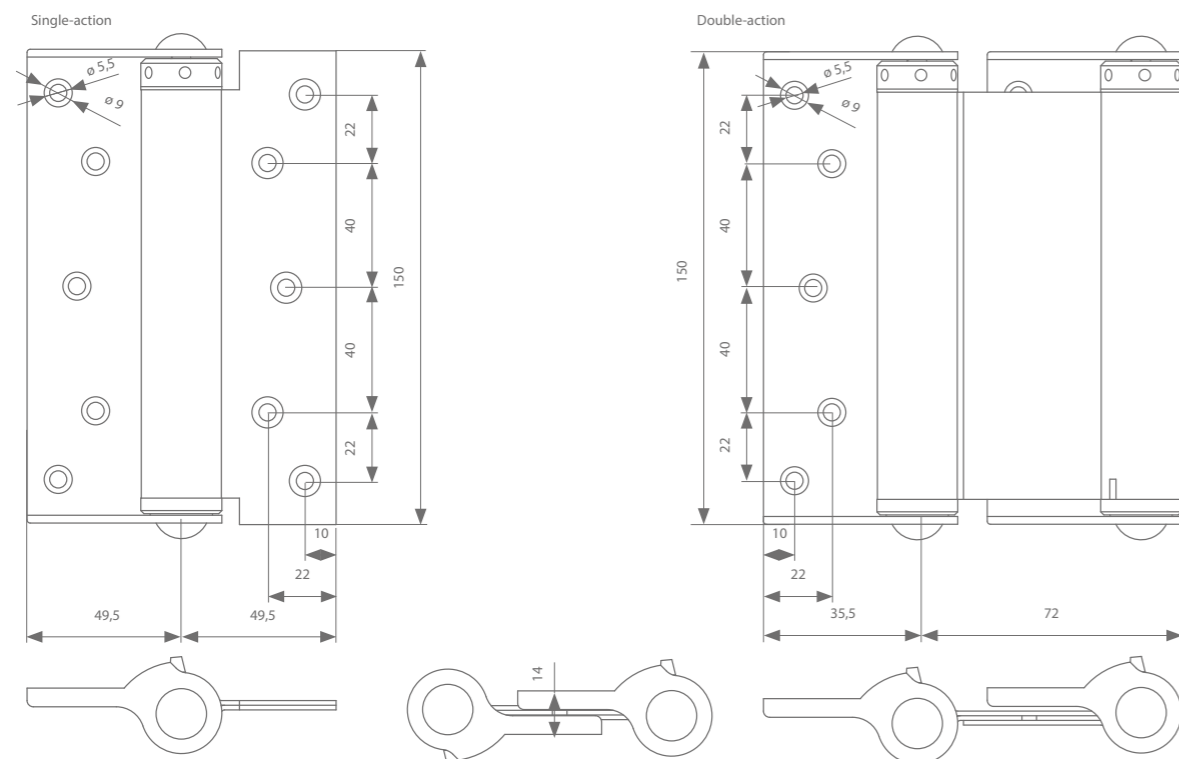


## Technical properties

Size	Single-action 150 mm	Double-action 150 mm
Knuckle	Ø 26 mm	Ø 26 mm
Leaf width	49,5 mm	49,5 mm
Leaf thickness	2,5 – 6 mm	2,5 – 6 mm

Packed in boxes of 2.

## Technical drawings



## spring hinge 7"

### Version

Rolled in steel or stainless steel and equipped with a tempered steel spring. Stainless steel springs available upon request. Adjustable spring tension (key not supplied).

### Material

Steel or stainless steel

### Finish

Steel

- Galvanised steel
- Black powder coated (RAL9005)

Stainless steel

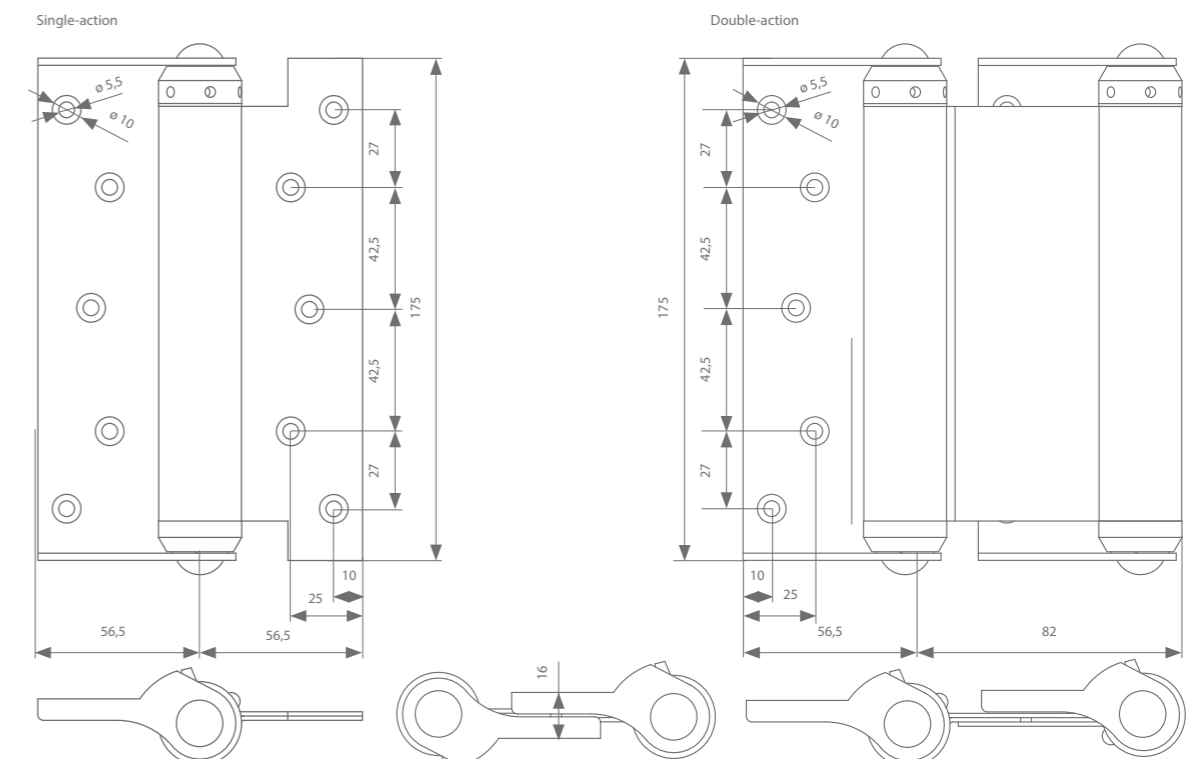


## Technical properties

Size	Single-action 175 mm	Double-action 175 mm
Knuckle	Ø 29 mm	Ø 29 mm
Leaf width	56,5 mm	56,5 mm
Leaf thickness	2,5 – 7,5 mm	2,5 – 7,5 mm

Packed in boxes of 2.

## Technical drawings





## ACCESSORIES HINGES

### Appropriate screws

The screws that are needed for mounting the hinges on wood are also available in the following finishes: F1, RAL std, CU, BR, NI, CF, ensuring a perfect finish.



### Universal milling template



ARLU® developed the universal argenta® milling template to quickly and easily make the correct cut-outs for the argenta invisible range and argenta hinges.

#### A basic set consists of:

- A. 3x black UPVC base plates
- B. 2x black UPVC stop blocks

#### Additional piece to order:

- C. 3x brushed aluminium insert plates: 80/80 A and/or 100/86 A

### Wear rings – height rings

There are various wear rings for the stainless steel hinges and they are available in various finishes.



Clamped wear rings - Stainless steel hinges	Thickness wear rings	Knuckle	Pin	Leaf thickness
80/80A closed	2 mm	Ø 12 mm	7 mm	2,5 mm
89/89A closed	2,5 mm	Ø 12 mm	7 mm	2,5 mm
100/86A open 100/86A open, adjustable	3 mm, 5 mm	Ø 16 mm	10 mm	3 mm
Wear ring - Stainless steel hinges	Thickness wear rings	Knuckle	Pin	Leaf thickness
80/80A closed 89/89A closed	1, 2, 3, 4, 5, 6, 7 and 8 mm	Ø 12 mm	7 mm	2,5 mm
89/89A closed with ball-bearing 100/64A cranked 100/86A open 100/86A open, adjustable 100/86A open with ball-bearing ring 100/78A 120/64A cranked 120/86A open	1, 2, 3, 4, 5, 6, 7 and 8 mm	Ø 16 mm	10 mm	3 mm
80/80A closed	1, 2 and 3 mm	Ø 15 mm	8 mm	3,5 mm

# GENERAL INFORMATION

## Materials & finish

### Materials

- Aluminium: Extruded aluminium profiles AlMgSi 0.5 (according to EN 12020-2 and EN AW-6063)
- Brass: is a mixture of copper and zinc, CuZn
- Stainless steel: is a rust-free alloy of mainly iron, chrome, nickel and carbon
- Steel: is an alloy of iron and carbon
- Zamak: is an alloy of zinc and aluminium, with small amounts of magnesium and copper.

### Finish aluminium hinges

- F1: natural colour (E6/EV1-SAA) anodised (20 micron)
- F2: champagne colour (E6/C33) anodised (20 micron)
- RAL std: powder-coated (60-70 micron) in standard RAL colours
- CU: copper-plated
- BR: bronze colour
- NI: nickel-plated
- CF: canon fusil
- CHR: chrome-plated
- CU mat: mat copper-plated
- INL: stainless steel look

for your information:

- CU/BR/NI/...'1' (such as CU1): vase finial
- CU/BR/NI/...'2' (such as CU2): pyramid finial
- 'M' CU/BR/NI/... (such as MCU): Messing (= brass) hinge

### Finish stainless steel hinges

- stainless steel brushed: standard finish for stainless steel hinges
- CU: copper-plated
- BR: bronze colour
- iron colour: imitation iron look
- CHR: brilliant chrome
- ALL: alu look (aluminium grey)
- rust brown: dark brown, imitation rust colour
- RAL 9010: pure white
- MAT 9005: mat black
- AS: ancient silver

### Finish steel hinges

- CU: copper-plated
- BR: bronze-plated
- tin: country-style finish tin-coloured
- rust: country-style finish rust-coloured

## Lexicon

### Hinge

This is a two-component part, used for joint movement, one part has the pin (pin) attached to it.

### Rising hinges

In ordinary hinges the two different parts at the pin are located right above one another, in rising hinges they are at an angle. Upon turning, the upper part of the hinge moves upwards. If the door is then released when it is open, it will fall shut.

### Self-closing hinges argenta® close

The self-closing spring hinge argenta® close is a 'single-action spring hinge'. This hinge has a built-in spring, closing the door to which the hinge is attached to automatically. The argenta® close has an adjustable spring, which makes it possible to adjust the tension. This self-closing spring hinge is placed in the same manner and the same location as an ordinary standard hinge.

### Blade thickness

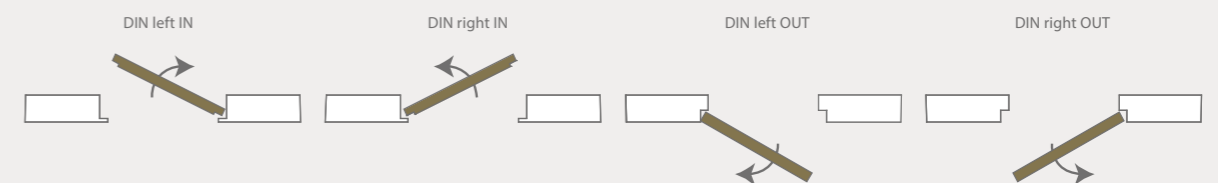
The thickness of one of the parts of the hinge, which should be inserted into the frame or the moving part.

### Double-action spring hinges

Double spring hinges or double-action spring hinges have two pin axles, enabling them to turn to both sides. These hinges are used for doors that turn in and out, such as saloon doors. Thanks to the double springs, the doors always return to their closed setting.

### Door swing direction

In accordance with DIN and EN; a left door is pulled open towards you with the left hand, the hinges are on the left-hand side (a right door is pulled open with the right hand)





Ter Vlucht 2 +32 (0)51 27 05 00  
8850 Ardoonie info@arlu.be  
Belgium WWW.ARLU.BE



©L300046 03/24 English